



PROJECT		REF		REV	ITEM CODE	
LOCATION		DATE			PAGE	

## SHOWER SEAT SPECIFICATION SHEET

Item Descriptions	Meitu (P.R.C.) MT80281 Foldable Bathroom Stool	Illustration/ Drawing
Dimension	360 x 298 x 300 mm	
Model	MT80281	
Finish	Creamy-White	
Origin	P.R.C.	
Manufacturer	Meitu (P.R.C.)	
Source	Ka Shing Enterprises (H.K) Limited Mr. Ivan Lau / Mr. GilmanYuen	
Contact Tel/Fax	(852) 2628-0661 / (852) 2490-2700	
E-mail	project@kashingehk.com	
Website	www.kashingehk.com	

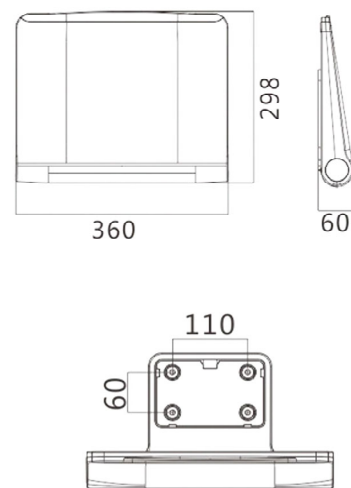
**Feature:**  
**EXTRA STABILITY FOR UNSTEADY USERS:**  
 Permanently fitted in place using the strong frames included, this fold down seat provides unrivalled support and security when compared to shower stools; professionally installed.

**LIKE A SHOWER STOOL BUT BETTER:**  
 This foldable shower seat can remain in the down position or be folded neatly away when not in use, and unlike regular shower stools, it saves you lots of space in your bathroom

**STYLISH AND CONVENIENT:**  
 Most portable bath chairs are not only an eyesore, they're difficult to transfer in and out of the tub, especially for anyone who has limited mobility or struggles with physical exertion. The simple, minimalist classic white design suits any modern bathroom décor and won't overwhelm the aesthetics

**BUILT FOR COMFORT AND QUICK CLEANING:**  
 Meticulously designed with rounded corners, smooth surfaces and soft edges for comfortable seating and protection against injuries if accidentally bumped. The smooth surfaces also help make cleaning quick and easy

**MAKES SHOWERING SAFE AND EASY:**  
 This shower accessory is perfect for any adults or elderly who experience discomfort from standing, bending over, shaving or washing for long periods of time



Sample	Test load (kgf)	Duration (minute)	Visual rotate & damage	Remark
Foldable bathroom stool	150	30	No rotate & damage	Pass
<b>Requirement</b>	<b>150</b>	<b>/</b>	<b>No rotate &amp; damage</b>	<b>Pass</b>

- The sample was installed onto a concrete wall (with drilled holes dia. 12mm) made of concrete mix grade 30D10 (cement to BS12: 1978 and Aggregate to BS882: 1973).
- A test load was applied vertically to the mid point of the sample which was then examined for any signs of damage.

Note:

\* All information of the above is for reference only. No prior notice is made if any changes.