



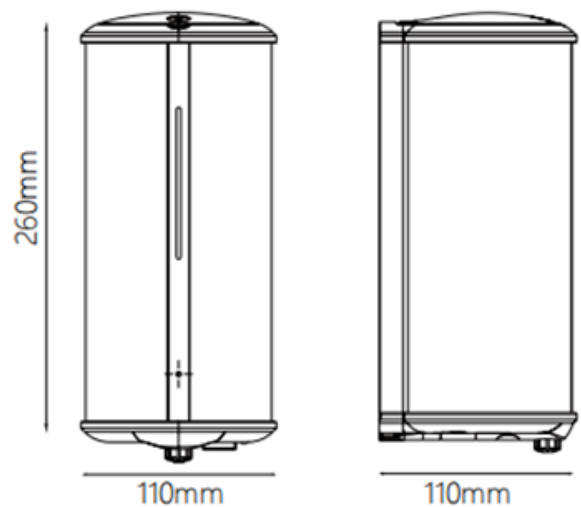
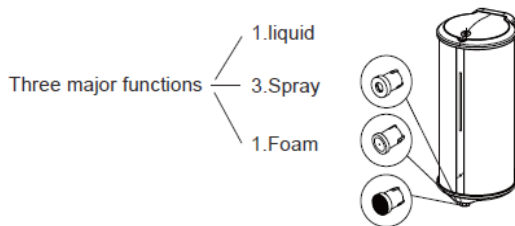
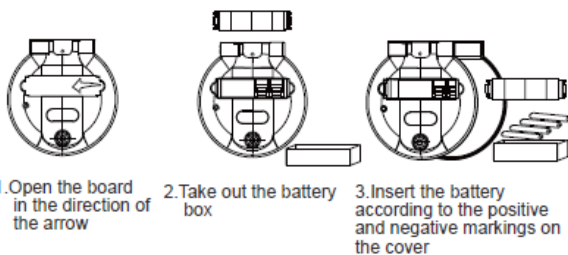
| | | | | | | |
|----------|--|------|--|-----|-----------|--|
| PROJECT | | REF | | REV | ITEM CODE | |
| LOCATION | | DATE | | | PAGE | |

SANITARY WARE SPECIFICATION SHEET

| | | |
|--------------------------------------|---|-----------------------------|
| Item Descriptions | Casatino (PRC) 950ml Stainless steel infra-red sensor operated soap dispenser (4pcs AA batteries) | <p>Illustration/ Drawin</p> |
| Dimensions | L110 x W110 x H260 mm | |
| Model | KSE0804.300 (Liquid) KSE0805.300 (Foam) KSE0806.300 (Spray) | |
| Finish | Stainless steel | |
| Manufacturer | CASATINO (PRC) | |
| Source | Ka Shing Enterprises (H.K) Limited Mr. Ivan Lau / Mr. GilmanYuen | |
| Contact Tel/Fax E-mail Website | (852) 2628-0661 / (852) 2490-2700 project@kashingehk.com www.kashingehk.com | |

Battery installation steps

Follow the battery direction indicated on the battery box and insert 4 AA batteries.



Note: Batteries are not included.

* All information of the above is for the reference only. No prior notice is made if any changes.



| | | | | | | |
|----------|--|------|--|-----|-----------|--|
| PROJECT | | REF | | REV | ITEM CODE | |
| LOCATION | | DATE | | | PAGE | |

SANITARY WARE SPECIFICATION SHEET

Product Specifications

If you choose the drip function, please refer to the following instructions for use:

| | |
|--------------------|--|
| Product name | automatic liquid dispenser |
| Induction method | infrared radiation |
| Sensor Distance | 2cm-7cm |
| Material | ABS, PP |
| Capacity | 950ml |
| Liquid | liquid concentration≤1000Pa.s |
| Liquid discharge | liquid |
| Discharge capacity | first gear: 1.2ml Second gear:3.2ml third gear:6.4ml |
| Battery type | AA alkaline battery*4 |
| Power Adapter | Input voltage: AC100-240V 50/60Hz output voltage: DC6.0V 1A |

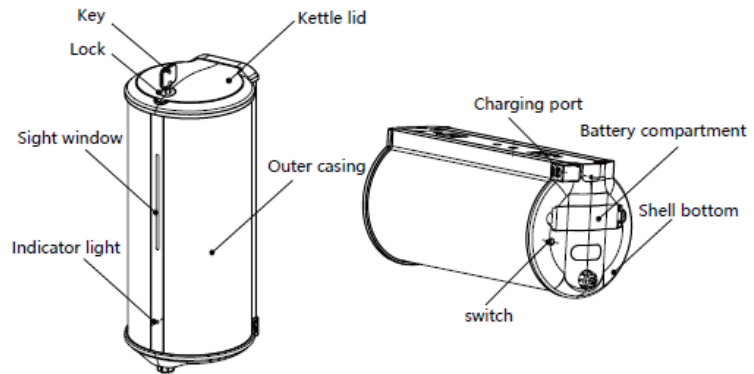
If you choose the spray function, please refer to the following instructions for use:

| | |
|--------------------|--|
| Product name | automatic spray dispenser |
| Induction method | infrared radiation |
| Sensor Distance | 2cm-7cm |
| Material | ABS, PP |
| Capacity | 950ml |
| Liquid | alcohol content: 75% |
| Liquid discharge | Spray |
| Discharge capacity | first gear:1.0ml Second gear:3.0ml third gear:5.8ml |
| Battery type | AA alkaline battery*4 |
| Power Adapter | Input voltage: AC100-240V 50/60Hz output voltage: DC6.0V 1A |

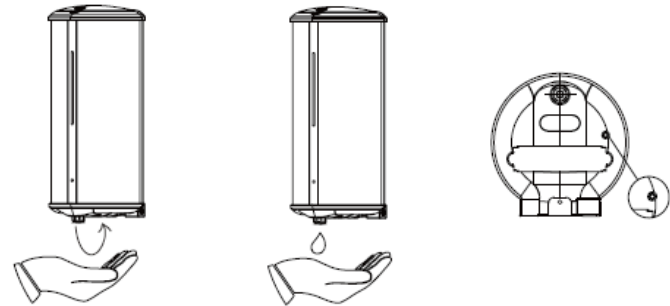
If you choose the foam function, please refer to the following instructions for use:

| | |
|--------------------|--|
| Product name | automatic foam dispenser |
| Induction method | infrared radiation |
| Sensor Distance | 2cm-7cm |
| Material | ABS, PP |
| Capacity | 950ml |
| Liquid | Foam |
| Liquid discharge | Foam |
| Discharge capacity | first gear:1.0ml Second gear:2.8ml third gear:5.4ml |
| Battery type | AA alkaline battery*4 |
| Power Adapter | Input voltage: AC100-240V 50/60Hz output voltage: DC6.0V 1A |

Parts description



Use diagram



Infrared light reflection automatic sensing

Sensing distance is 2-7cm, Automatically discharge liquid within the sensing range

Long press the touch switch to turn on, short press once to adjust the gear, a total of three gears.

Installation method

When installing, please keep the space under the soap dispenser at least 40cm. Choose an appropriate location to install the soap dispenser. Do not let the machine get damp or exposed to water.

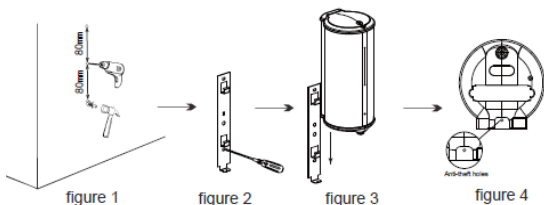


figure 1

figure 2

figure 3

figure 4

Use a pen to mark the mounting holes on the soap dispenser mounting plate. (figure 1)

Use an impact drill to drill holes at the marking locations and drive in the rubber plugs. (figure 2)

Place the mounting plate on the wall and use a screwdriver to twist 3 screws into the 3 mounting hole rubber plugs. (figure 2)

Snap the soap dispenser down into the mounting plate (Picture 3)

After the soap dispenser is fixed, twist the screw into the anti-theft hole. (Figure 4)

Note: Anti-theft mounting holes are used for fixing in public places.

Note: Batteries are not included.

* All information of the above is for the reference only. No prior notice is made if any changes.



| | | | | | | |
|----------|--|------|--|-----|-----------|--|
| PROJECT | | REF | | REV | ITEM CODE | |
| LOCATION | | DATE | | | PAGE | |

SANITARY WARE SPECIFICATION SHEET

Battery

Insert 4 AA batteries according to the battery direction on the battery box indicator, or connect the power adapter to input DC6V voltage, and press and hold the touch switch to enter standby mode.

When the battery is about to be exhausted (battery voltage $\leq 4.8V$), the red indicator light flashes once every 2 seconds during standby. Prompts the user to replace the battery. Induction operation can continue when the battery voltage is between 4.8V and 3.9V. When the battery voltage is too low ($\leq 3.9V$), the red indicator light will flash twice during induction and there will be no liquid discharge.

When the product senses abnormality (connection, etc.), it will enter the power saving state after 30 seconds to save battery power consumption.

When the product is powered on and the gear is adjusted, the blue indicator light flashes to prompt the operation.

liquid

When the motor rotates but no liquid flows out during induction, please check whether the liquid bottle is empty. Please add liquid to ensure that the soap dispenser can be used normally. When the soap dispenser operates without liquid for a long time, the soap dispenser will be damaged. The suitable liquid concentration for the soap dispenser (dispensing liquid) is $\leq 1000mPa.s$. Please use special foam liquid for the soap dispenser (dispensing liquid). The suitable liquid for the soap dispenser (spray) is 75% disinfectant alcohol containing alcohol.

Note: Exceeding the standard will reduce product life or even damage the product.

Product Maintenance

liquid

Do not use steel wool or cleaning agents containing acidic substances or corrosive substances for cleaning. The use of any prohibited cleaning agents will damage the surface of the machine. Only wipe the surface of the machine with water, and then wipe it clean with a rag or towel. When cleaning bathroom tiles, be careful not to spill the cleaner on the machine.

Use instructions

Please avoid exposing the sensor head to strong direct sunlight. When using it for the first time, it needs to be sensed several times until the liquid flows into the pipe before the liquid can be discharged normally.

When using it, you need to press and hold the touch switch on the bottom shell of the soap dispenser for 2 seconds. After that, the indicator light will light up blue for 1 second, indicating that the power is on. In the power-on mode, the initial gear is 1. At this time, the hand is close to the sensor module 2- At 6cm, the water pump starts working for 0.5-1s and the blue light turns on. The water pump stops working and the blue light goes out.

Short press the trigger switch once to adjust one gear, with a total of three gears:

Every time you turn on the machine, it is initially in gear 1 and the working time is 0.5-1s.

Short press the touch switch once, the blue light flashes twice, it is gear 2, and the working time is 1.5S-2s.

Short-press the touch switch once again, the blue light flashes 3 times, which is gear 3, and the working time is 3 seconds.

Short press the trigger switch once again, the blue light flashes once, and the gear returns to 1st gear, and the cycle continues.

If you need to shut down the soap dispenser, press and hold the touch switch on the bottom shell of the soap dispenser for 2 seconds. The indicator light will light up in red. After it lights up for 1 second, the product will turn off.

Note: The liquid output capacity will vary due to insufficient battery life.



Precautions

Ignoring the signs may result in the following

| | | |
|--|------------|-----------------------------------|
| | Warning | "May cause personal injury" |
| | attention | "May cause damage to the product" |
| | illustrate | forbid |
| | compulsion | Keep away from fire |

Note: Batteries are not included.

* All information of the above is for the reference only. No prior notice is made if any changes.