
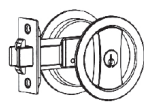




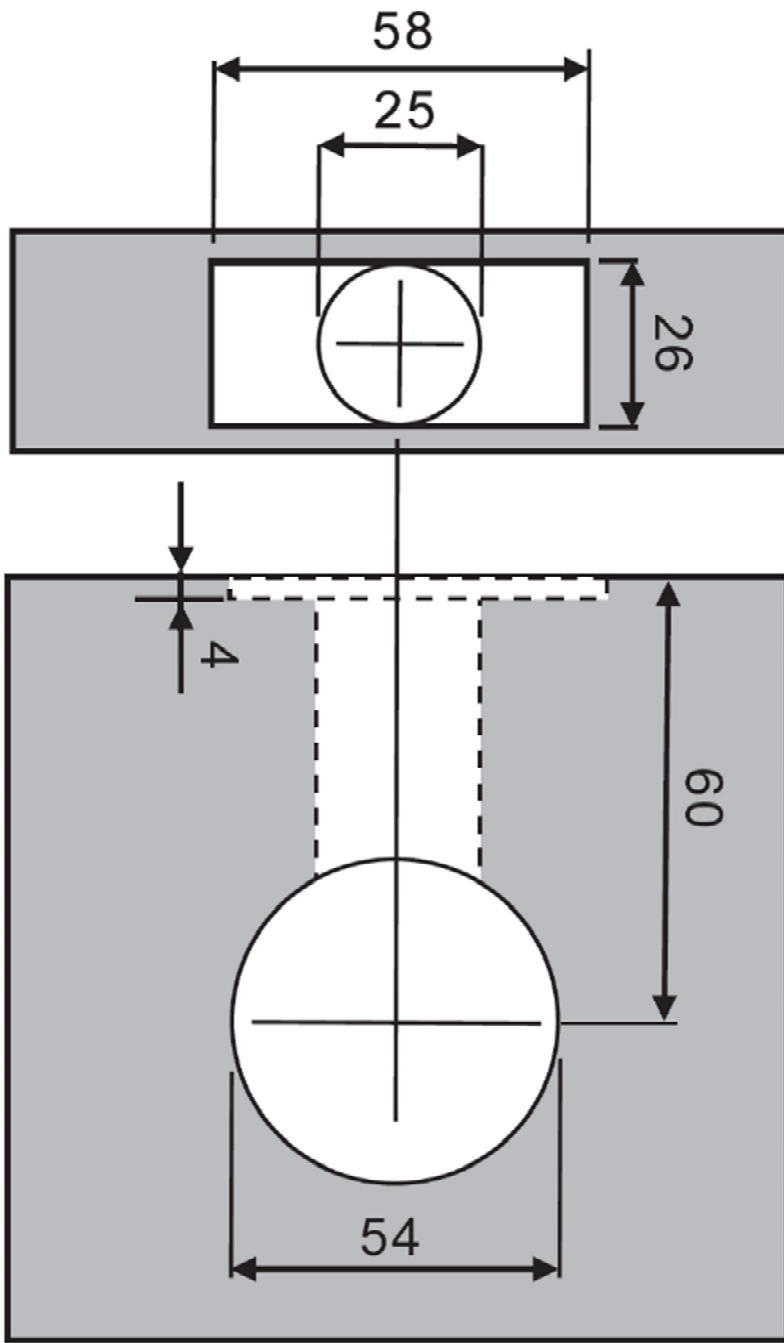
PROJECT		REF		REV	ITEM CODE	
LOCATION		DATE			PAGE	

DOOR LOCK SPECIFICATION SHEET

<p>Item Descriptions</p> <p>Backset</p> <p>Model</p> <p>Finish</p> <p>Origin</p> <p>Manufacturer</p> <p>Source</p> <p>Contact Tel/Fax</p> <p>E-mail</p> <p>Website</p>	<p>SODUN (P.R.C.) D101 Sliding Door Lock with Ordinary Key</p> <p>60 mm</p> <p>D101</p> <p>Stainless Steel</p> <p>P.R.C.</p> <p>SODUN (P.R.C.)</p> <p>Ka Shing Enterprises (H.K.) Limited Mr. Ivan Lau / Mr. GilmanYuen</p> <p>(852) 2628-0661 / (852) 2490-2700 project@kashingehk.com www.kashingehk.com</p>	<p>Illustration/ Drawing</p>  <p>Feature:</p> <ul style="list-style-type: none"> - Hidden mounting screw design - Composite stainless steel hook - Application for entry <p>Item Specification:</p> <ul style="list-style-type: none"> - Model: D101 - Function: Sliding door, suitable for entry - Specifications: Suitable for any door opening direction - Applicable door thickness: 35-55mm - Backset: 60mm - Lock body aperture: 54mm - Latch hole diameter: 25mm - Material: Stainless steel - Lock body surface treatment: Sand surface nickel - Key: With three ordinary keys <p>Door Thicknesses Entry : 35 mm~55 mm</p>  <p>Entry</p> <p>Select the length of mounting screws based on the thickness of the door.</p> <table border="1" data-bbox="986 1818 1241 1953"> <thead> <tr> <th>Door thicknesses</th> <th>Length of mounting screw</th> </tr> </thead> <tbody> <tr> <td>31~35 mm</td> <td> 12 mm</td> </tr> <tr> <td>35~40 mm</td> <td> 18 mm</td> </tr> <tr> <td>40~45 mm</td> <td> 22 mm</td> </tr> <tr> <td>45~55 mm</td> <td> 28 mm</td> </tr> </tbody> </table> <table border="1" data-bbox="1257 1809 1433 1953"> <thead> <tr> <th colspan="2">Tailpiece lengths (Entry)</th> </tr> <tr> <th>Door thicknesses</th> <th>Length</th> </tr> </thead> <tbody> <tr> <td>35~41 mm</td> <td>23 mm</td> </tr> <tr> <td>41~48 mm</td> <td>31 mm</td> </tr> <tr> <td>48~55 mm</td> <td>39 mm</td> </tr> </tbody> </table>	Door thicknesses	Length of mounting screw	31~35 mm	12 mm	35~40 mm	18 mm	40~45 mm	22 mm	45~55 mm	28 mm	Tailpiece lengths (Entry)		Door thicknesses	Length	35~41 mm	23 mm	41~48 mm	31 mm	48~55 mm	39 mm
Door thicknesses	Length of mounting screw																					
31~35 mm	12 mm																					
35~40 mm	18 mm																					
40~45 mm	22 mm																					
45~55 mm	28 mm																					
Tailpiece lengths (Entry)																						
Door thicknesses	Length																					
35~41 mm	23 mm																					
41~48 mm	31 mm																					
48~55 mm	39 mm																					
<p>Note:</p>																						

* All information of the above is for reference only. No prior notice is made if any changes.

Drawing:



(Unit : mm)