



PROJECT		REF		REV	ITEM CODE	
LOCATION		DATE			PAGE	

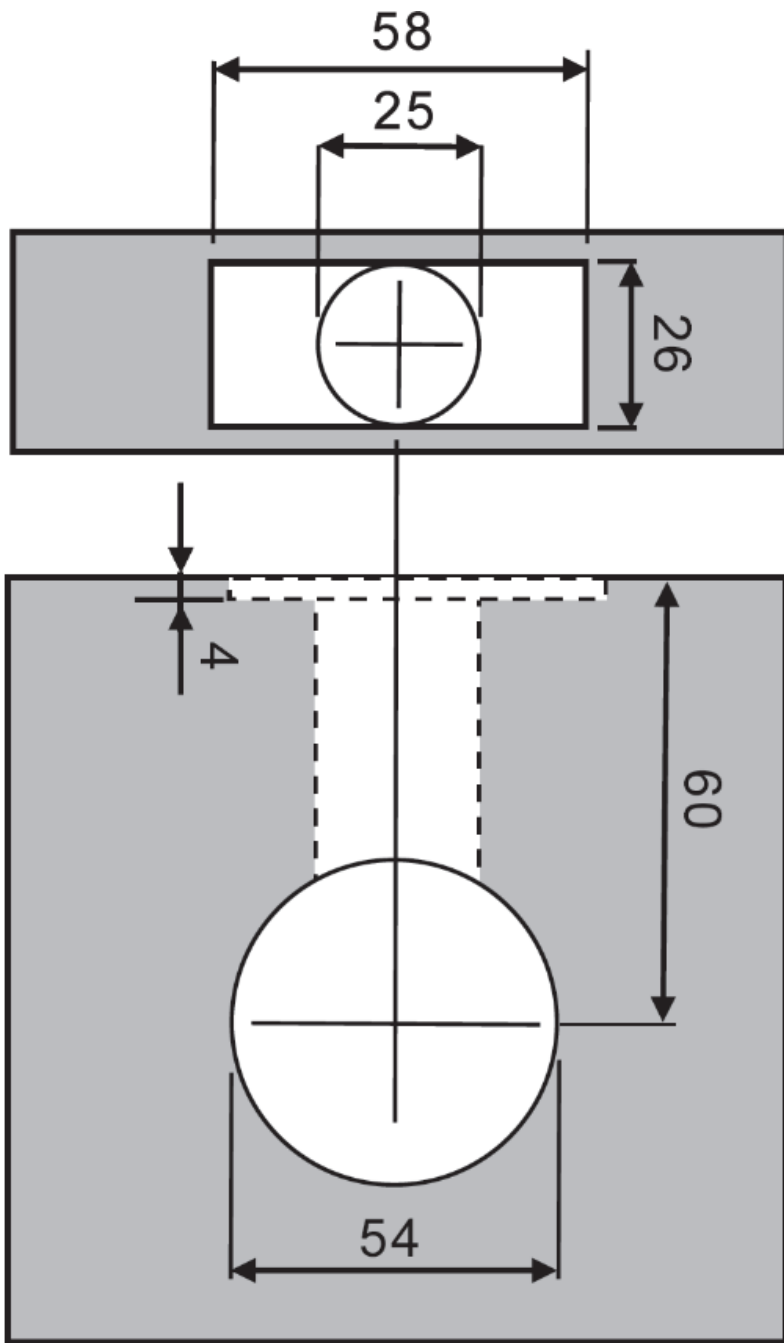
DOOR LOCK SPECIFICATION SHEET

Item Descriptions	SODUN (P.R.C.) D102 Sliding Door Lock with Ordinary Key	Illustration/ Drawing																				
Backset	60 mm																					
Model	D102																					
Finish	Stainless Steel																					
Origin	P.R.C.																					
Manufacturer	SODUN (P.R.C.)																					
Source	Ka Shing Enterprises (H.K) Limited Mr. Ivan Lau / Mr. GilmanYuen																					
Contact Tel/Fax	(852) 2628-0661 / (852) 2490-2700																					
E-mail	project@kashingehk.com																					
Website	www.kashingehk.com																					
Feature:																						
<ul style="list-style-type: none"> - Hidden mounting screw design - Composite stainless steel hook - Application for bathroom, toilet 																						
Item Specification:																						
<ul style="list-style-type: none"> - Model: D102 - Function: Sliding door, suitable for bathroom, toilet - Specifications: Suitable for any door opening direction - Applicable door thickness: 31-51mm - Backset: 60mm - Lock body aperture: 54mm - Latch hole diameter: 25mm - Material: Stainless steel - Lock body surface treatment: Sand surface nickel 																						
		<p>Door Thicknesses Privacy : 31 mm~51 mm</p> <p style="text-align: center;">Privacy</p> <p>Select the length of mounting screws based on the thickness of the door.</p> <table border="1" style="display: inline-table; margin-right: 20px;"> <thead> <tr> <th>Door thicknesses</th> <th>Length of mounting screw</th> </tr> </thead> <tbody> <tr> <td>31~35 mm</td> <td> 12 mm</td> </tr> <tr> <td>35~40 mm</td> <td> 18 mm</td> </tr> <tr> <td>40~45 mm</td> <td> 22 mm</td> </tr> <tr> <td>45~55 mm</td> <td> 28 mm</td> </tr> </tbody> </table> <table border="1" style="display: inline-table;"> <thead> <tr> <th colspan="2">Tailpiece lengths (Privacy)</th> </tr> <tr> <th>Door thicknesses</th> <th>Length</th> </tr> </thead> <tbody> <tr> <td>31~36 mm</td> <td>29 mm</td> </tr> <tr> <td>36~44 mm</td> <td>37 mm</td> </tr> <tr> <td>44~51 mm</td> <td>45 mm</td> </tr> </tbody> </table>	Door thicknesses	Length of mounting screw	31~35 mm	12 mm	35~40 mm	18 mm	40~45 mm	22 mm	45~55 mm	28 mm	Tailpiece lengths (Privacy)		Door thicknesses	Length	31~36 mm	29 mm	36~44 mm	37 mm	44~51 mm	45 mm
Door thicknesses	Length of mounting screw																					
31~35 mm	12 mm																					
35~40 mm	18 mm																					
40~45 mm	22 mm																					
45~55 mm	28 mm																					
Tailpiece lengths (Privacy)																						
Door thicknesses	Length																					
31~36 mm	29 mm																					
36~44 mm	37 mm																					
44~51 mm	45 mm																					

Note:

* All information of the above is for reference only. No prior notice is made if any changes.

Drawing:



(Unit : mm)