



PROJECT		REF		REV	ITEM CODE	
LOCATION		DATE			PAGE	

SANITARY WARE SPECIFICATION SHEET

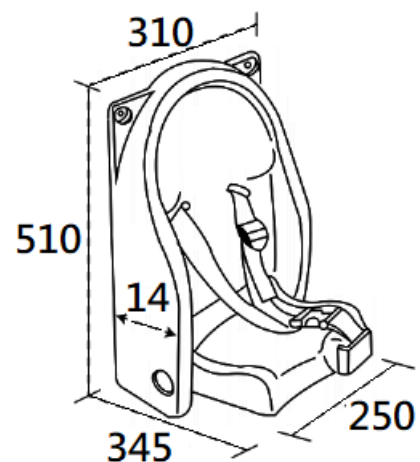
Item Descriptions	Casatino (PRC) Wall mounted child protection seat Capacity: Static loads of 15KG with EN 12221 Registration No. NBHL1710016978IP-02	Illustration/ Drawing
Dimensions	L345 x W310 x H510 mm	
Model	KSE0500.600	
Finish/ Color	Polyethylene / Gray	
Manufacturer	CASATINO (PRC)	
Source	Ka Shing Enterprises (H.K) Limited Mr. Ivan Lau / Mr. GilmanYuen	
Contact Tel/Fax	(852) 2628-0661 / (852) 2490-2700	
E-mail	project@kashingehk.com	
Website	www.kashingehk.com	

INSTALLATION:

To ensure proper installation and compliance with building codes, it is recommended that a qualified person or carpenter perform the installation of the unit. The Child Protection Seat must be properly installed onto wall or partition of restroom or fitting room that is capable of supporting significant weight and can accommodate the supplied installation hardware (or other suitable hardware, not included, if unit is to be installed on another type of wall such as a cinderblock or permanent wall).

Drilling holes and mounting the station:

1. Remove the unit from the shipping container and check for any freight damage. Identify the best location for installing the Child Protection Seat. Hold the unit in place, open the seat, and make sure that there is adequate operating clearance. Use the seat as a template for locating the four mounting holes onto the mounting surface. Seat bottom should be 2" (51 mm) from bottom of wall/partition or 14" (356 mm) from the floor, whichever is higher.
2. The Child Protection Seat has four mounting holes provided in the back wall of the unit, which are positioned 8" (203 mm) apart horizontally and 17" (51 mm) apart vertically. Hardware included with unit is intended for installation of seat to a restroom or fitting room partition. If Installing onto another wall type separate hardware will be required (not included).
3. Drill through partition using 3/8" (10 mm) drill bit.
4. Insert the four threaded plugs with head holes (supplied) from the outside of the partition.
5. Mount the Child Protection Seat with the four 1/4" (6 mm) screws and washers (supplied).
6. Place the label/decals on the outside of stall or fitting room door



Note:

* All information of the above is for the reference only. No prior notice is made if any changes.



PROJECT		REF		REV	ITEM CODE	
LOCATION		DATE			PAGE	

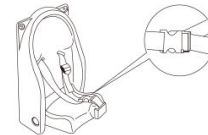
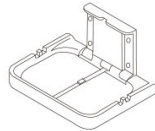
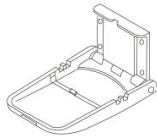
SANITARY WARE SPECIFICATION SHEET



Baby changing stations

Installation instructions

Product specification



Installation method

1. Rack 90cm high from the ground, drill five holes according to the size mark on the instruction.(fig1)
2. Take out the fittings,install the expansion pipe into the holes.(fig2)
3. Take out one screw to fix it into the middle hole (18.5CM from both right & left),screw out one centimeter, Hang the baby change station on the screw.(fig3)
4. According to the size mark on the instruction,fix the machine with another four screws.(fig4)
5. Cover the hole case to finish the installation.(fig5)

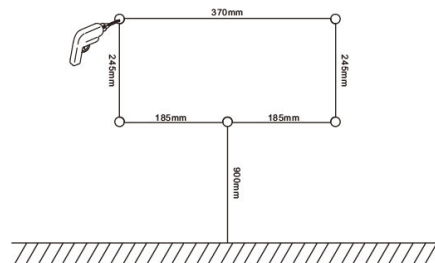


FIG. 1

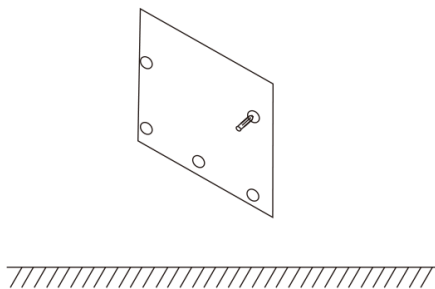


FIG. 2

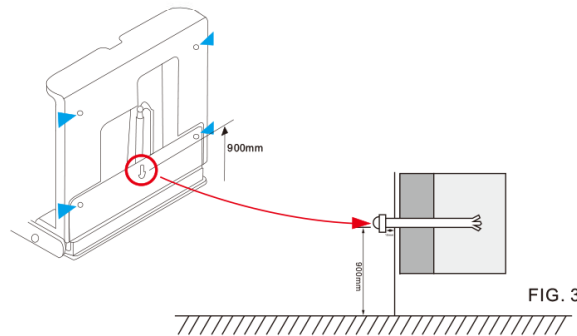


FIG. 3

Note:

* All information of the above is for the reference only. No prior notice is made if any changes.



PROJECT		REF		REV	ITEM CODE	
LOCATION		DATE			PAGE	

SANITARY WARE SPECIFICATION SHEET



Baby changing stations

Installation instructions

Product specification

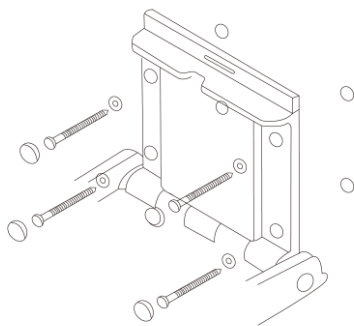
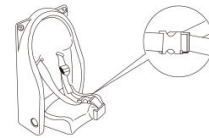
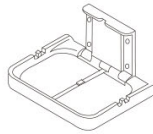
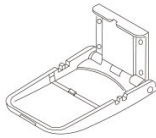


FIG. 4

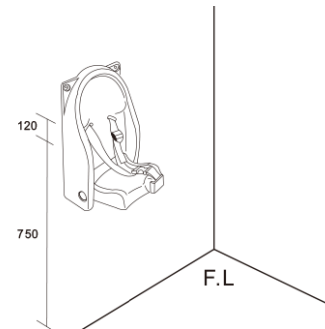
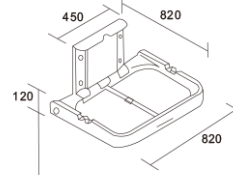
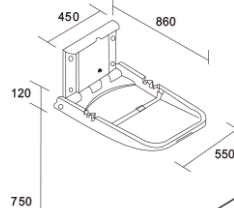


FIG. 5

Note:

* All information of the above is for the reference only. No prior notice is made if any changes.

Test Conducted:

EN 12221: 2008+A1: 2013 CHANGING UNITS FOR DOMESTIC USE: PART 1: SAFETY REQUIREMENTS; PART 2: TEST METHODS

1. Scope
 This part of EN 12221 specifies safety requirements for changing units for domestic use for children with a body weight no more than 15 kg.
 EN 12221 only covers the function of the item as a changing unit. If the changing unit can be converted or used as another function it shall comply with other relevant standards, e.g. cots, storage furniture, etc.
 The changing unit may be foldable and can be fitted with a child bathtub or other additional items.
 Changing pads are only covered by this standard when they form a part of the changing unit.
2. Number of test specimen: 1 Piece of packaged sample
3. Test Result: Details Shown As Following Table:

Clause	Test Method/ Requirement	Rating									
4	General requirements										
4.1	Dimensions The dimension of the changing area shall be at least as defined as follows:	Pass (Type 1)									
	<table border="1"> <thead> <tr> <th>Changing unit type</th> <th>Width</th> <th>Length</th> </tr> </thead> <tbody> <tr> <td>1</td> <td>380mm</td> <td>650mm</td> </tr> <tr> <td>2</td> <td>550mm</td> <td>750mm</td> </tr> </tbody> </table>		Changing unit type	Width	Length	1	380mm	650mm	2	550mm	750mm
	Changing unit type		Width	Length							
1	380mm	650mm									
2	550mm	750mm									
4.2	Materials										
4.2.1	Wood Wood, wood-based materials and materials of vegetable origin shall be free from decay and insect attack.	N/A									
4.2.2	Surfaces and materials Any coating of paint, varnish, lacquer or similar substances and parts consisting of dyed materials, leather, textiles, and plastics materials within the accessibility zone shall be made using products which in their soluble compound do not exceed the following amounts: Antimony : 60 mg/kg Arsenic : 25 mg/kg Barium : 1000 mg/kg Cadmium : 75 mg/kg Chromium : 60 mg/kg Lead : 90 mg/kg Mercury : 60 mg/kg Selenium : 500 mg/kg Where a surface is coated with a multi-layer paint or similar coating, the sample shall be taken down to the base material. The test procedure is defined in EN 71-3.	See Result									
5	Construction										
5.1	Holes, gaps and openings										

Clause	Test Method/ Requirement	Rating
5.1.1	Entrapment of fingers Within the accessibility zone there shall be no holes, gaps and openings with a width greater than 7 mm and less than 12 mm, unless the depth is less than 10 mm when measured in accordance with EN 12221-2:2008+A1:2013, 5.3.1.	Pass
5.1.2	Entrapment of limbs Within the accessibility zone there shall be no holes, gaps and openings having a width greater than 25 mm and smaller than 45 mm when measured in accordance with EN 12221-2:2008+A1:2013, 5.3.2.	Pass
5.1.3	Entrapment of head, neck and torso	Pass
5.1.3.1	Within the accessibility zone there shall be no hole, gap or opening larger than 65 mm and less than 223 mm when measured in accordance with EN 12221-2:2008+A1:2013, 5.3.3.1.	Pass