
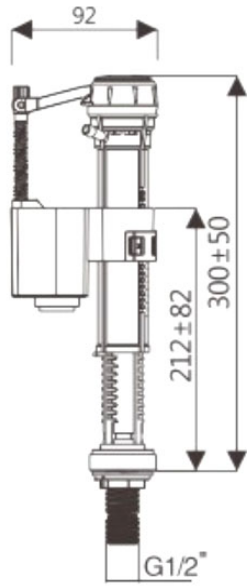




PROJECT		REF		REV	ITEM CODE	
LOCATION		DATE			PAGE	

INLET VALVE SPECIFICATION SHEET

<p>Item Descriptions</p> <p>Dimension</p> <p>Model</p> <p>Material</p> <p>Origin</p> <p>Manufacturer</p> <p>Source</p> <p>Contact Tel/Fax</p> <p>E-mail</p> <p>Website</p>	<p>Meitu (P.R.C.) J43R Hydraulic Inlet Valves</p> <p>300 x 92 mm x G1/2"</p> <p>J43R</p> <p>Plastic</p> <p>P.R.C.</p> <p>Meitu (P.R.C.)</p> <p>Ka Shing Enterprises (H.K) Limited Mr. Ivan Lau / Mr. Gilman Yuen</p> <p>(852) 2628-0661 / (852) 2490-2700 project@kashingehk.com www.kashingehk.com</p>	<p>Illustration/ Drawing</p>  
<p>Feature:</p> <ul style="list-style-type: none"> - Easy to install, step-by-step instructions included - Universal fit for most toilet models and brands - Tank and Bowl water level adjustment dials to customize the perfect flush and save. Height adjusts from 250 to 350 mm fit more tanks - Adjustable water level 		

Note:

* All information of the above is for reference only. No prior notice is made if any changes.