



PROJECT		REF		REV	ITEM CODE	
LOCATION		DATE			PAGE	

SANITARY WARE SPECIFICATION SHEET

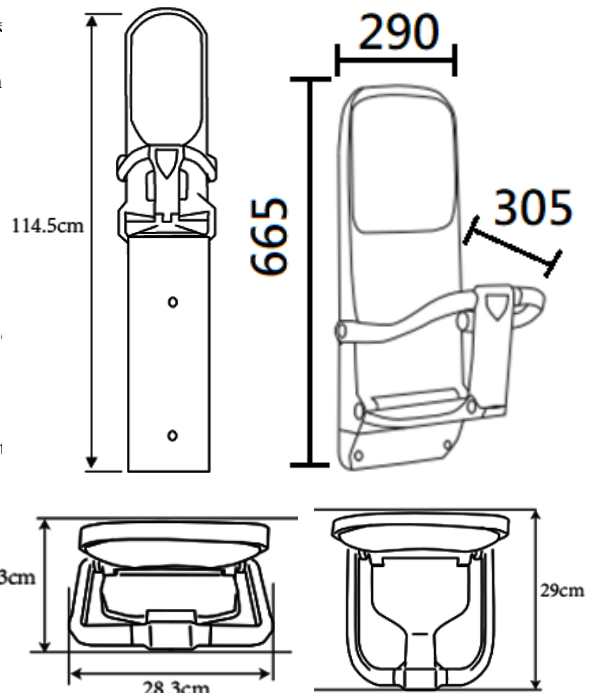
Item Descriptions	Casatino (PRC) Wall mounted child protection seat with leg Capacity: Static loads of 30KG Registration No. NFNF22070566	<p align="center">Illustration/ Drawing</p>
Dimensions	L300 x W210 x H1145 mm	
Model	KSE0502.600	
Finish/ Color	Polyethylene / Gray	
Manufacturer	CASATINO (PRC)	
Source	Ka Shing Enterprises (H.K) Limited Mr. Ivan Lau / Mr. Gilman Yuen	
Contact Tel/Fax	(852) 2628-0661 / (852) 2490-2700	
E-mail	project@kashingehk.com	
Website	www.kashingehk.com	

INSTALLATION:

To ensure proper installation and compliance with building codes, it is recommend that a qualified person or carpenter perform the installation of the unit. The Child Protection Seat must be properly installed onto wall or partition of restroom or fitting room that is capable of supporting significant weight and can accommodate the supplied installation hardware (or other suitable hardware, not included, if unit is to be installed on another type of wall such as a cinderblock or permanent wall).

Drilling holes and mounting the station:

1. Remove the unit from the shipping container and check for any freight damage. Identify the best location for installing the Child Protection Seat. Hold the unit in place, open the seat, and make sure that there is adequate operating clearance. Use the seat as a template for locating the four mounting holes onto the mounting surface. Seat bottom should be 2" (51 mm) from bottom of wall/partition 14" (356 mm) from the floor, whichever is higher.
2. The Child Protection Seat has four mounting holes provided in the back wall of the unit, which are positioned 8" (203 mm) apart horizontally and 17" (51 mm) apart vertically. Hardware included with unit is intended for installation of seat to a restroom or fitting room partition. If Installing onto another wall type separate hardware will be required (not included).
3. Drill through partition using 3/8" (10 mm) drill bit.
4. Insert the four threaded plugs with head holes (supplied) from the outside of the partition.
5. Mount the Child Protection Seat with the four 1/4" (6 mm) screws and washers (supplied).



Note:

* All information of the above is for the reference only. No prior notice is made if any changes.



PROJECT		REF		REV	ITEM CODE	
LOCATION		DATE			PAGE	

SANITARY WARE SPECIFICATION SHEET



Baby changing stations

Installation instructions

Product specification



20 KG LOAD-BEARING CAPACITY

SUITABLE FOR INFANTS FROM 7 MONTHS TO 3 MONTHS

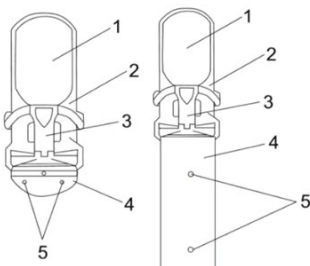
THE STEEL PLATE ON THE BACK IS REINFORCED

THE BACK IS SUPPORTED BY A LARGE AREA OF THICKENED STEEL PLATE, THE INSTALLATION IS MORE SECURE, THE USE OF MORE ASSURED

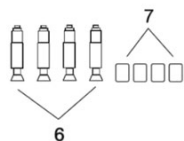


PRODUCT INSTALLATION

THE PART NAME



1. SEAT BACK
2. MAIN BODY
3. GUARDRAIL
4. SUPPORT FRAME COVER
5. THE COVER SECURES THE HOLE POSITION



BIONIC ARM GUARD

ERGONOMIC RADIANT, AS IF THE MOTHER'S ARM WERE BENT, AND THE SLEEK HANDLING OF THE CORNERS MADE THE BABY FEEL COMFORTABLE IN IT.

Note:

* All information of the above is for the reference only. No prior notice is made if any changes.



PROJECT		REF		REV	ITEM CODE	
LOCATION		DATE			PAGE	

SANITARY WARE SPECIFICATION SHEET



Baby changing stations

Installation instructions

Product specification

COLLAPSIBLE SPACE-SAVING

THE 90-DEGREE FOLDING DESIGN SAVES SPACE WHEN NOT IN USE, IS EASY TO COLLECT AND DESERVES A SAFE BABY SEAT.



90°折疊



THE CIRCULAR JOINT TURNS THE AXIS

BEARING IS THE KEY TO FOLDING, POLLOCK USES HIGH-QUALITY BEARINGS TO MAKE IT HAVE A LONGER SERVICE LIFE.



HDPE MATERIAL

THE SEAT IS INTEGRATED BLOW MOLDED HDPE, WITH GOOD FIRE RESISTANCE, COLD RESISTANCE, RIGIDITY AND TOUGHNESS. CAN BETTER PROTECT THE SAFETY OF THE BABY.

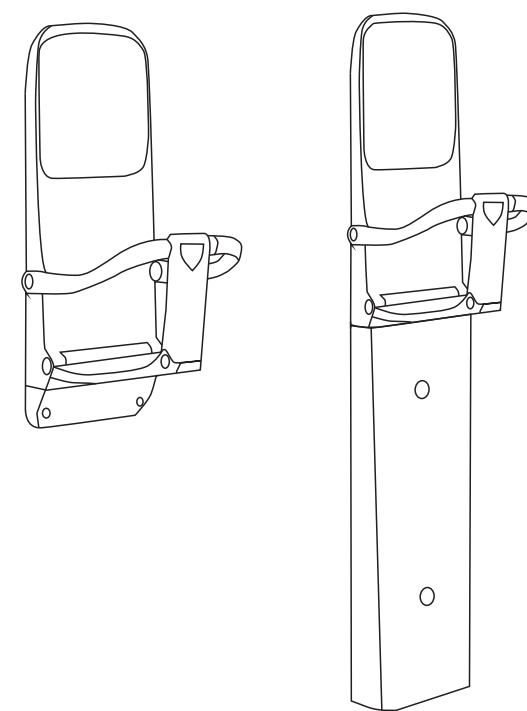


Note:

* All information of the above is for the reference only. No prior notice is made if any changes.

Warranty

1. This product is warranted for one year.
2. The service for baby changing station during the warranty period begins on the date of purchase.
3. Within one year after purchase, in case of normal use, the consumer can use the original invoice and the warranty card filled out and stamped by the dealer to repair and replace it at the place of purchase.
4. The following conditions do not apply to the free maintenance scope:
 - Malfunction caused by improper disassembly, modification, or repair by a technician unauthorized by the company.
 - Malfunction caused by force majeure such as fire or earthquake.
5. Products that exceed the warranty period or are not subject to free maintenance, the company is still dedicated to serve you (only charge the cost)



Baby Safety Seat

User's manual

Dear users: Thank you for purchasing baby safety seat. Please read this manual carefully before installation and use, so that it can be installed and used correctly. Please keep it in a safe place for future reference.

! Reminder

1. The product is dedicated for infants and young children, aged between 7 months and 3 years old, or weighing below 20 kg.
2. Do not leave the child to prevent it from falling or slipping.
3. Do not hang the child on the seat to prevent it from falling.
4. Please keep the product clean.

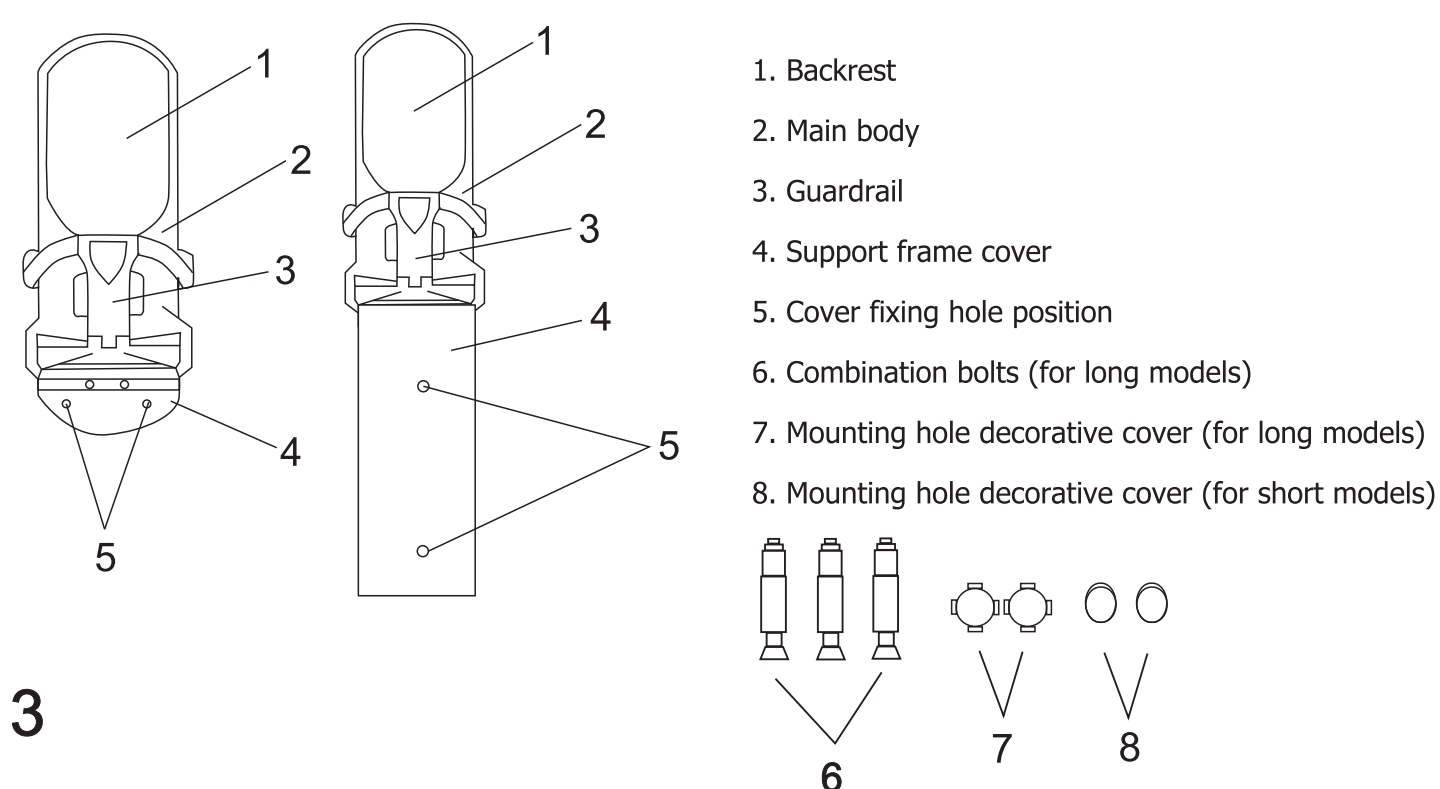
1

Features

1. Easy to use, clean and hygienic
 - The product is made of antibacterial material to prevent bacterial growth.
 - A disposable diaper or blanket can be placed on the seat for babies.
2. Simple opening and closing, saving space
 - Folding design. It can be saved maximum space efficiently.
3. Use safety
 - The product is equipped with a safety guardrail to ensure safety more effectively and prevent accidents.
4. Wide range of applications
 - This product is suitable for hospitals, restaurants, hotels, large shopping malls, airports, homes and other public places.

2

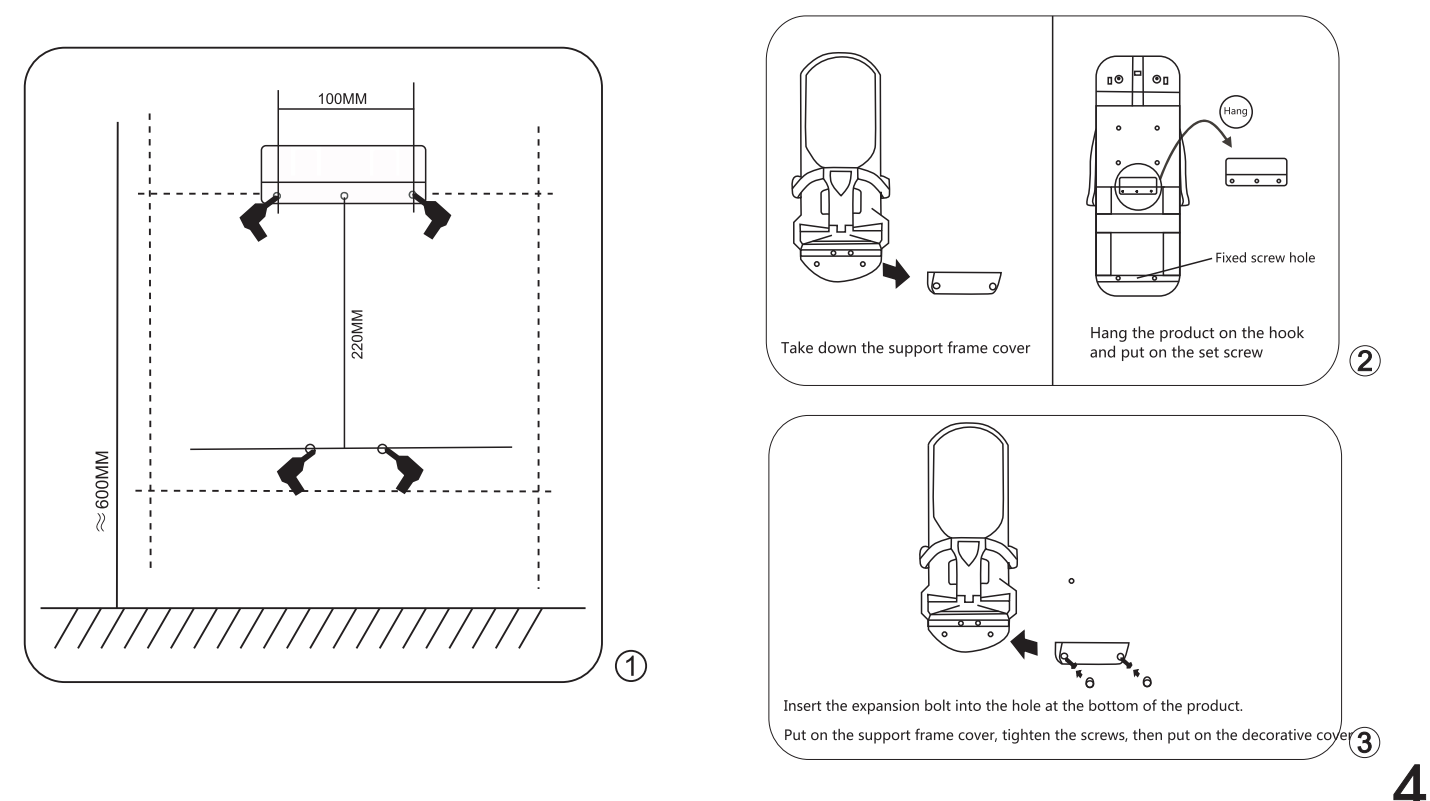
Accessories Name



3

Installation and debugging

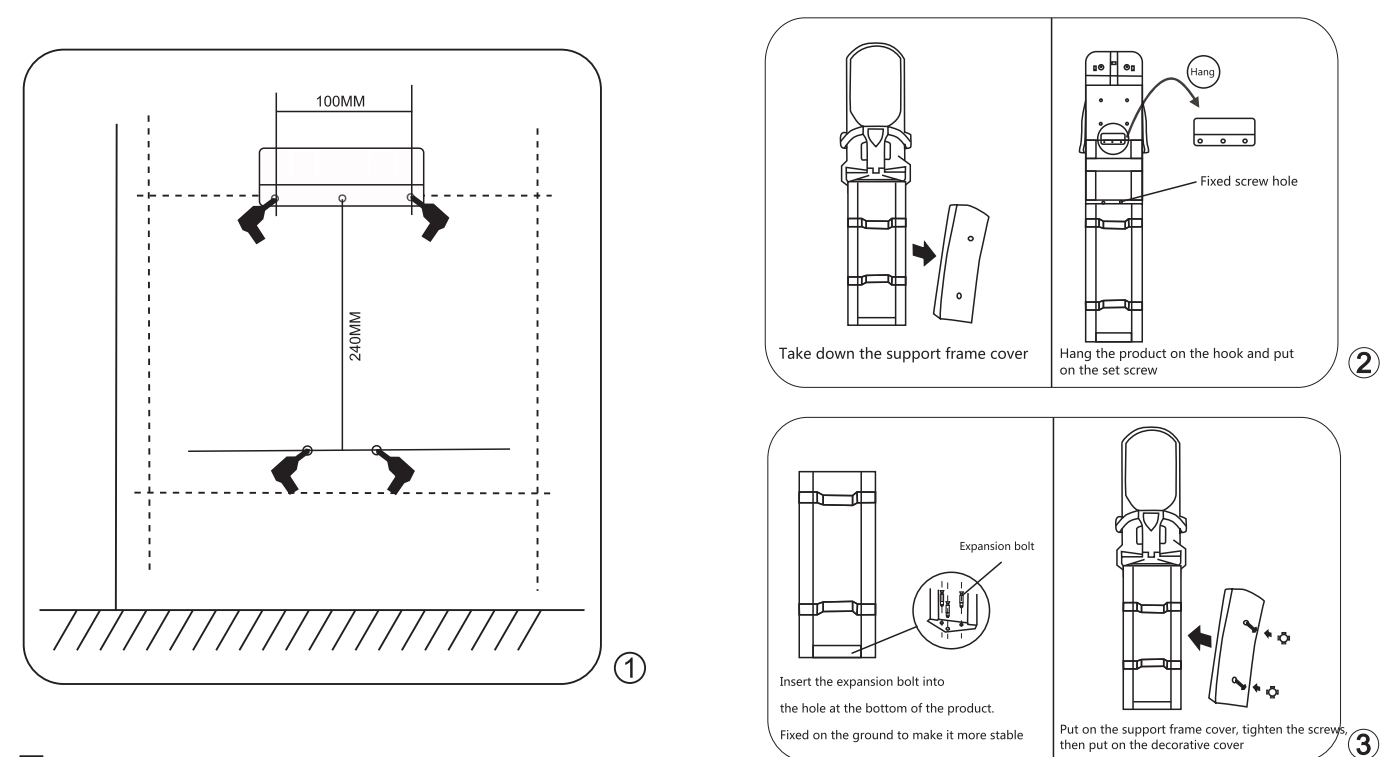
short models



4

Installation and debugging

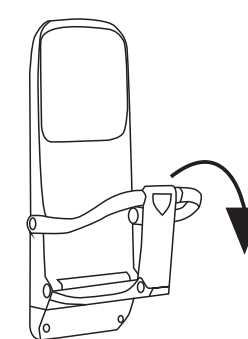
long models



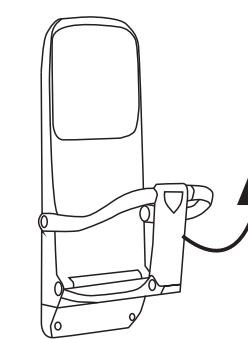
5

Instructions

- 1 Put the seat rail down.



- 2 After use, close the seat guard and return to the original position.



6