
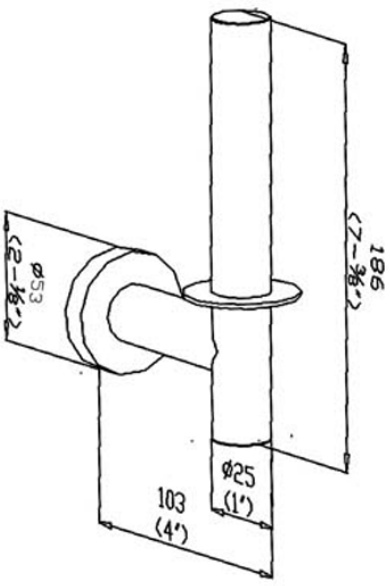




| | | | | | | |
|----------|--|------|--|-----|-----------|--|
| PROJECT | | REF | | REV | ITEM CODE | |
| LOCATION | | DATE | | | PAGE | |

SANITARY WARE SPECIFICATION SHEET

| | | |
|--|---|--|
| <p>Item Descriptions</p> <p>Dimensions</p> <p>Model</p> <p>Material</p> <p>Manufacturer</p> <p>Source</p> <p>Contact Tel/Fax</p> <p>E-mail</p> <p>Website</p> | <p>Mediclinics (Spain) Surface mounted spare toilet roll holde</p> <p>L25 x W103 x H186 mm</p> <p>AC0970C</p> <p>Chrome Plated</p> <p>Mediclinics, S.A. (Spain)</p> <p>Ka Shing Enterprises (H.K) Limited Mr. Ivan Lau / Mr. GilmanYuen (852) 2628-0661 / (852) 2490-2700 project@kashingehk.com www.kashingehk.com</p> | <p>Illustration/ Drawing</p>   |
| <p>General description</p> <ul style="list-style-type: none"> · Holder for spare toilet paper, chromed brass, for wall mounting · Suitable for the hotel sector, for fitting out the bathrooms in the hotel rooms. · Model suitable for public use. <p>Components and Materials</p> <ul style="list-style-type: none"> · Chromed brass arm of Ø 25 mm and 1 mm thick with a protection thickness of 9,4 µm nickel + 0,40 µm chrome. · Chromed brass snap flange cover of Ø 66 mm. · Press-formed mounting flange which incorporates 3 screws holes of Ø 5 mm for mounting on the wall. | | |
| <p>Maximum dimensions - 185 x 53 x 100 mm</p> <p>Distance from the wall - 116 mm</p> <p>Snap flange cover - Ø 53 mm</p> | | |

Note:



* All information of the above is for reference only. No prior notice is made if any changes.