

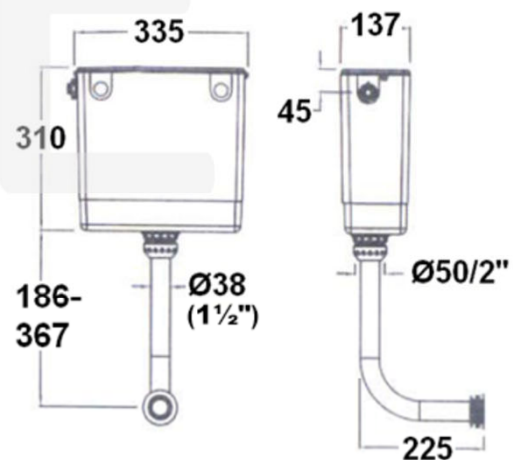
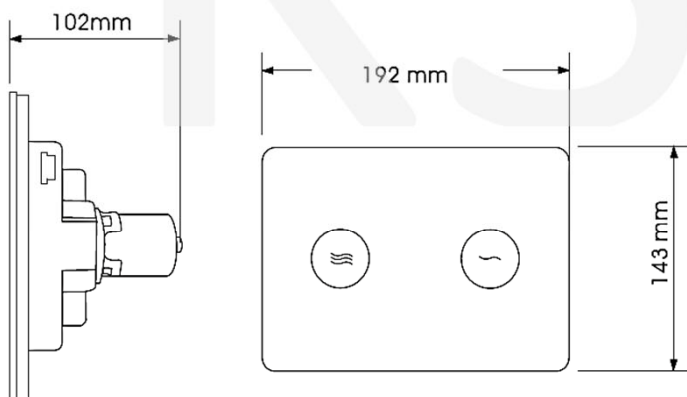
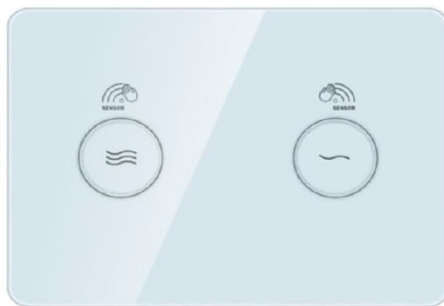
## SANITARY WARE SPECIFICATION SHEET

Model: KSE0800.700

Descriptions: Casatino (PRC) Plastic circular pneumatic dual flush concealed cistern with internal tank fitting, support hanger push button control and 1/2" inlet filter; Casatino (PRC) black glass "Wave operated" 30mm diameter wall sensor with manual override button ; connection set & extended overflow tube ; 3.1/4.8 LPF in WELS Grade 1; Registration No. WC 21-0115

Dimensions: L102 x W192 x H143mm  
 Manufacturer: CASATINO (PRC)

Material : Glass  
 Color : Black / White



\* All information of the above is for the reference only. No prior notice is made if any changes.



**Ka Shing Enterprise (H.K.) Ltd.**

ROOM 1706 NEW TERRITORIES TSUEN WAN HO LIK CENTRE, 66A SHA TSUI ROAD  
 Tel:26280661 Fax: 24902700  
 Email: project@kashingehk.com  
 Website: www.kashingehk.com

Ivan / Horace 26280661

E/ project@kashingehk.com

W/ https://www.kashingehk.com/




自願參與用水效益標籤計劃 - 水廁  
Voluntary Water Efficiency Labelling Scheme - Water Closets

Certificate of Registration  
註冊證書

茲證明  
This is to certify that

將下列水廁在本計劃內註冊：  
has registered the following water closet under this scheme :

牌子 / Brand : Otter  
型號 / Model : JT118 + P61  
種類 / Category : Water Closet Cistern  
原產地 / Country or Region Origin : China (WC Cistern & Flushing Valve)

在用水效益標籤上展示的標誌  
*Symbolic Presentation on the Water Efficiency Label* :  滴水點 *Water droplet(s)*  
用水效益級別  
*Water Efficiency Grade* : 1  
全沖水量  
*Water Flush Volume (Full)* : 4.8 公升/沖廁 *litres/flush*  
低沖水量  
*Water Flush Volume (Reduced)* : 3.1 公升/沖廁 *litres/flush*

簽發日期: -  
Date of Issue: 19 March 2021

 水務署  
Water Supplies Department



水務署署長(張業駒代行)  
for Director of Water Supplies

† 上述水廁具額外節水功能，即：重用洗盥水作沖廁用途。  
The above water closet is equipped with additional water saving feature, that is: re-use the water collected from wash basin for flushing purpose.



水務署  
Water Supplies Department

總部 Headquarters  
香港灣仔告士打道七號入境事務大樓 48 樓  
48/F, Immigration Tower, 7 Gloucester Road, Wan Chai, Hong Kong

本署編號 : (2) in WSD 3321/2021 T/J(554/2021)  
Our ref.  
來函編號 :  
Your ref.

電話 :  
Tel.  
傳真 : 2824 0578  
Fax.

23 April 2021

**Approval of "OTTER" Float Operated Valve  
(General Acceptance No. C20210427F)**

Your letter ref. WRC/21003 dated 7 April 2021 refers.

Having considered the test report ref. J26439 issued on 7 April 2021 by Nutek Systems (HK) Limited, this Authority accepts that the fitting described below complies with, and its use when correctly installed does not contravene, the Waterworks Ordinance and Regulations.

**Name of Manufacturer:** Zhongshan Meitu Plastic Ind Co Ltd

**Country of Origin:** the Mainland of China

**Brand:** Otter

**Details of Fitting:** 1/2" Plastic float operated valve

**Model:** J43-X

**Body Markings:** **MEITU**

**Expiry Date:** 29 March 2026



**Proviso:** As the fitting has not been tested for use in contact with water intended for human consumption, the fitting can only be used in flushing water plumbing system.

This Authority hereby permits the use of the above fitting in flushing water plumbing systems subject to full adherence to Waterworks installation requirements. In particular, you are required to draw your customers' attention to the following requirement-

"The flushing volume of the flushing valve should be adjusted to suit the design of the toilet bowl so that wastes can be cleared effectively by a single flush."

"The fitting should be used within the range of working pressures specified by the manufacturer." AND

"The installed fitting should not result in backflow of water that will contaminate the flushing water supply."

A condition of this acceptance is that the fitting to be installed shall be replicas of the sample as certified by the testing agent mentioned above and without modifications. This acceptance may be withdrawn at any time if the standard of the fitting installed fails to meet that of the approved sample or if the fitting is found to be unsuitable for use in flushing water plumbing systems.

For the use of the fitting in any project, the General Acceptance Number of this letter must be quoted as a means of identification of acceptance of the fitting by this Authority.

Should you have any enquiries, please contact our Engineer Mr. Terry KUNG at tel. no. 3583 4086.

Yours faithfully,



(Roger WONG)

for Director of Water Supplies

Encl.

c.c. WSD 3321/1/82 ] - without catalogue  
ME/MC ] - with soft copy only



水務署  
Water Supplies Department

總部 Headquarters

香港灣仔告士打道七號入境事務大樓 48 樓

48/F, Immigration Tower, 7 Gloucester Road, Wan Chai, Hong Kong

本署檔號 : (4) in WSD 3321/2021 T/J(471/2021)  
Our ref.  
來函檔號 :  
Your ref.

電話 :  
Tel.  
傳真 : 2824 0578  
Fax.

19 April 2021

**Approval of "OTTER" Flush Valve  
(General Acceptance No. C20210400F)**

Your letters both ref. WRC/21002 dated 16 March 2021 and 29 March 2021 refer.

Having considered the test report ref. J25843 issued on 16 March 2021 by Nutek Systems (HK) Limited, this Authority accepts that the fitting described below complies with, and its use when correctly installed does not contravene, the Waterworks Ordinance and Regulations.

**Name of Manufacturer:** Zhongshan Meitu Plastic Ind Co Ltd

**Country of Origin:** the Mainland of China

**Brand:** Otter

**Details of Fitting:** 2" Plastic dual flush valve

**Model:** P61

**Body Markings:** **MEITU**

**Expiry Date:** 6 January 2026



**Proviso:** As the fitting has not been tested for use in contact with water intended for human consumption, the fitting can only be used in flushing water plumbing system.

This Authority hereby permits the use of the above fitting in flushing water plumbing systems subject to full adherence to Waterworks installation requirements. In particular, you are required to draw your customers' attention to the following requirement-

"The flushing volume of the flushing valve should be adjusted to suit the design of the toilet bowl so that wastes can be cleared effectively by a single flush."

"The fitting should be used within the range of working pressures specified by the manufacturer." AND

"The installed fitting should not result in backflow of water that will contaminate the flushing water supply."

A condition of this acceptance is that the fitting to be installed shall be replicas of the sample as certified by the testing agent mentioned above and without modifications. This acceptance may be withdrawn at any time if the standard of the fitting installed fails to meet that of the approved sample or if the fitting is found to be unsuitable for use in flushing water plumbing systems.

For the use of the fitting in any project, the General Acceptance Number of this letter must be quoted as a means of identification of acceptance of the fitting by this Authority.

Should you have any enquiries, please contact our Engineer Mr. Terry KUNG at tel. no. 3583 4086.

Yours faithfully,



(Roger WONG)

for Director of Water Supplies

Encl.

c.c. WSD 3321/1/82 ] - without catalogue  
ME/MC ] - with soft copy only

# concealed cistern

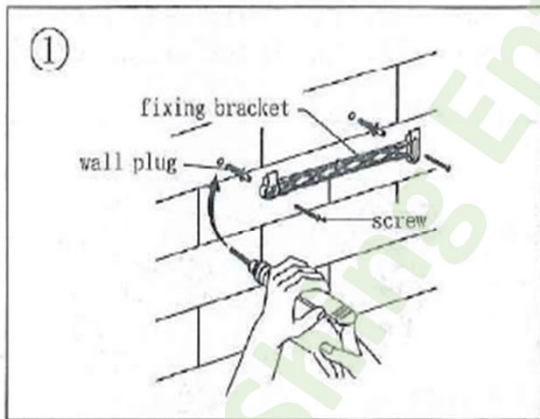
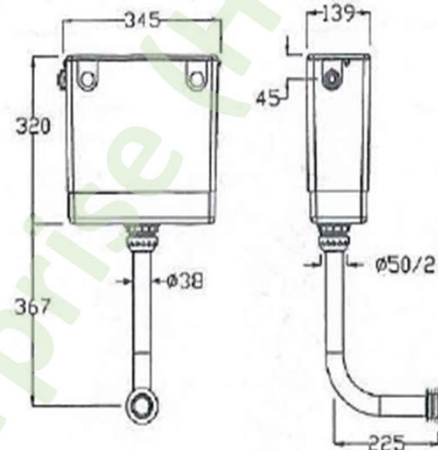
## CONCEALED CISTERN FITTING INSTRUCTIONS

Please ensure these instructions are followed carefully - If you are unsure about any aspect of the installation. Please consult a qualified installer. In the event of any problem with the function of this equipment; please check installation before contacting your supplier.

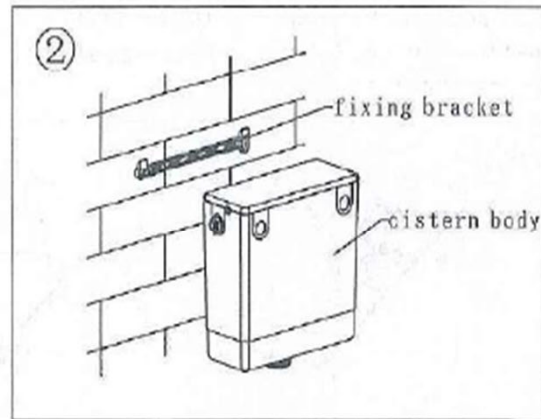
Before commencing installation, please check that all of the following items have been supplied. And you are thoroughly familiar with these instructions.

### List of components

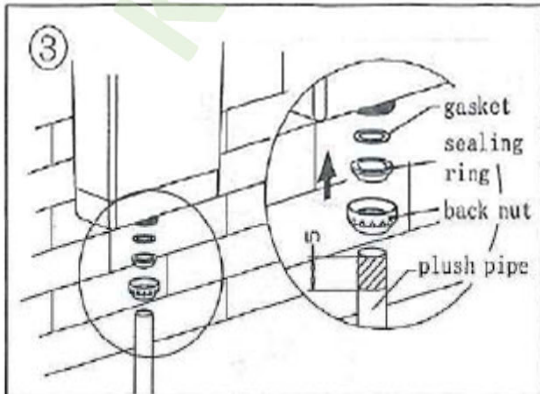
|                           |                              |
|---------------------------|------------------------------|
| Cistern lid               | flush pipe                   |
| Cistern body              | flush pipe coupling back nut |
| inlet valve(fitted)       | flush pipe sealing ring      |
| Outlet valve              | pan flush inlet connector    |
| Pneumatic control(fitted) | screws (2)                   |
| Wall fixing brachet       | wall plugs (2)               |
| Gasket                    |                              |



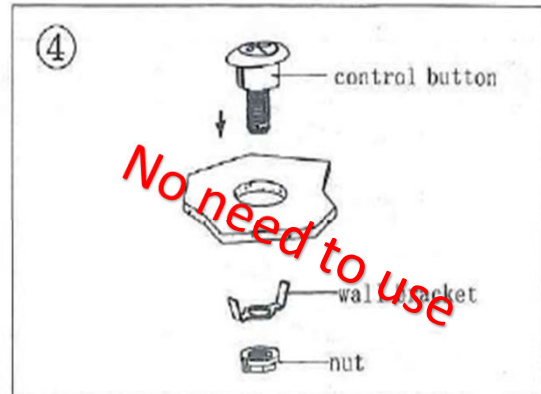
Drill two holes with diameter of 8mm and depth of 40mm as shown, and fill the bracket holes with wall plug and tighten the screws.



After installed the fixing bracket, put the cistern on the wall bracket.



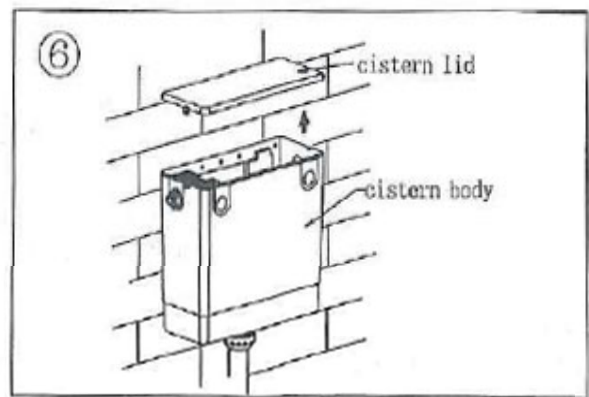
Install the back nut, sealing ring and gasket on the flushpipe, then tightnon the back nut.



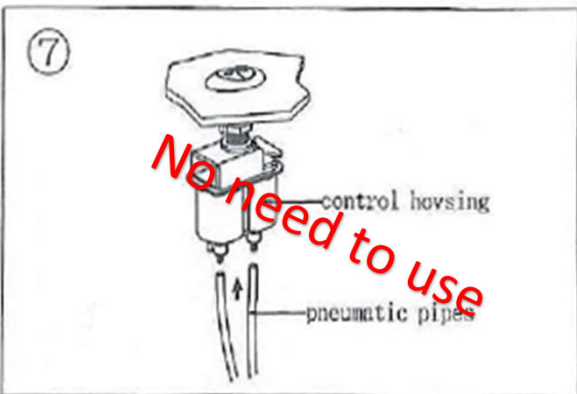
Install the button in the holes with wall hanging bracket, adjust button and fix wall bracket on the button, then tighten the back nut.



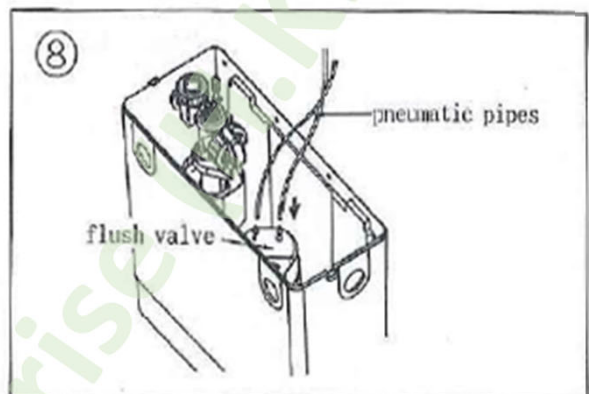
Install the fixing block into the outlet as picture shows.



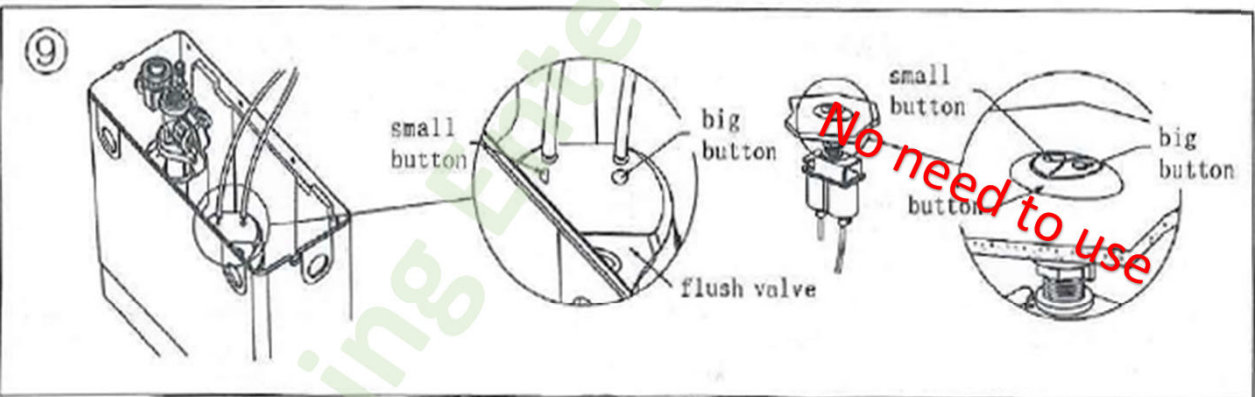
Open the tank cover.



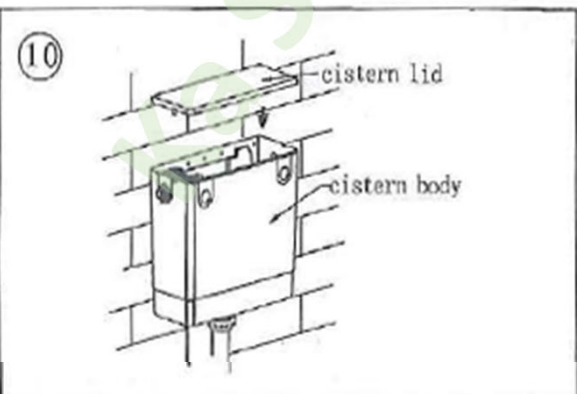
Fix the pneumatic pipes within the control housing. Caution: Do not fold and press it.



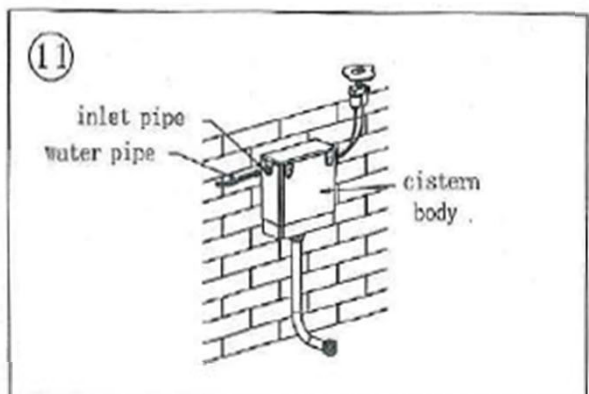
Fix the pneumatic pipes within the flush valve nozzle. Caution: Do not fold and press it.



Caution: the small button and large button should be installed collectly. Pls . see inset diagram



Close the cistern lid.



Install the water pipe to the inlet pipe of cistern for water supply. (Inlet valves should be turned off).