

SANITARY WARE SPECIFICATION SHEET

Model: B-9882

Descriptions: Bobrick (USA) Resistant Semi-Recessed Toilet Tissue Holder shall be 16-gauge, type 304 stainless steel with all exposed surfaces powder coated white

Dimensions:	L92 x W230 x H194mm	Material :	Stainless steel
Manufacturer:	Bobrick Washroom Equipment Inc. (USA)	Finish :	White

MATERIALS:

Paper holder housing fabricated from 16-gauge, type 304 stainless steel with all exposed surfaces powder coated white.

OPERATION:

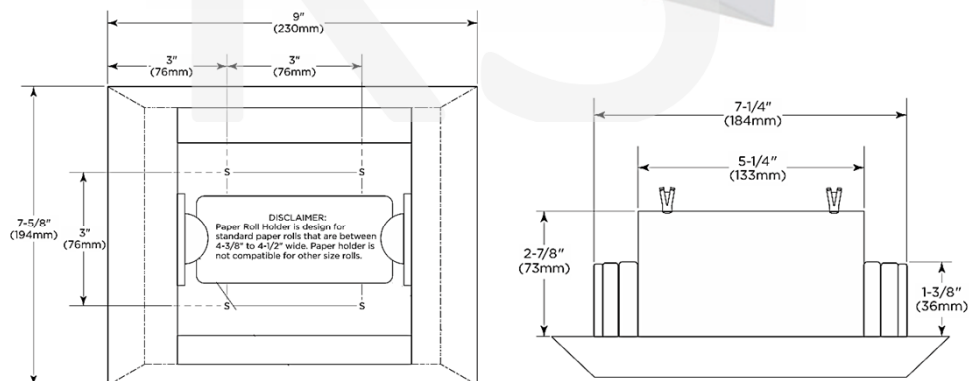
Units hold one toilet tissue roll between 4-3/8" and 4-1/2" wide in diameter. Paper holder is not compatible for other size rolls. This product is designed to decrease the probability that it may be utilized as an apparatus for ligature. It is not a replacement for professionals who are trained in the proper evaluation, management, and supervision of persons at risk of suicide.

INSTALLATION:

Installation required a rough wall opening approximately 7-1/4" X 6-1/4" x 3" deep to accommodate tissue paper holder. Using the product as a template, locate mounting points. Drill holes for wall anchors and install the anchors (not provided). Secure the tissue paper holder using the four (4) 1/4" UNC screws (provided) and one (1) 5/32" hex bit for center reject pin (provided).

SPECIFICATION:

Semi-recessed toilet tissue holder shall be 16-gauge, type 304 stainless steel with all exposed surfaces powder coated white. Unit shall dispense one standard-core toilet tissue roll up to 4-1/2" diameter. Spring loaded buttons are designed to release toilet tissue deter use as a point of ligature.



* All information of the above is for the reference only. No prior notice is made if any changes.



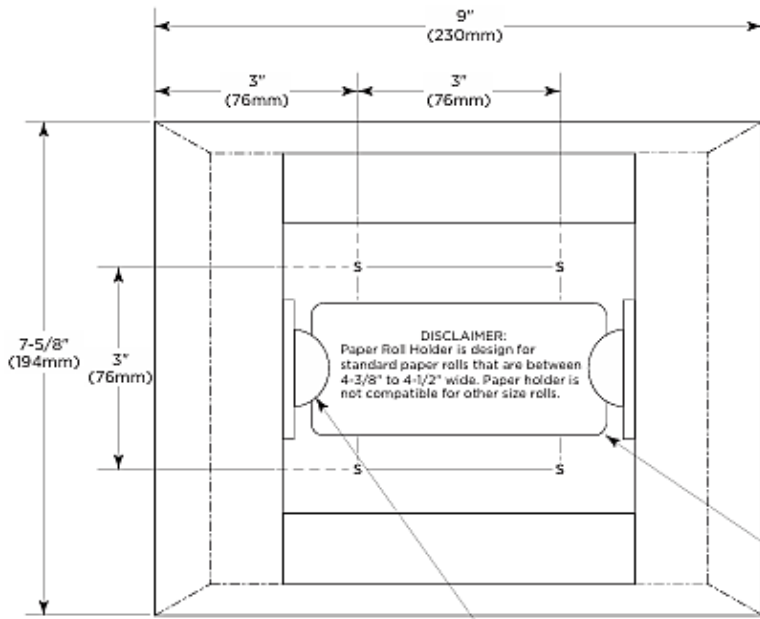
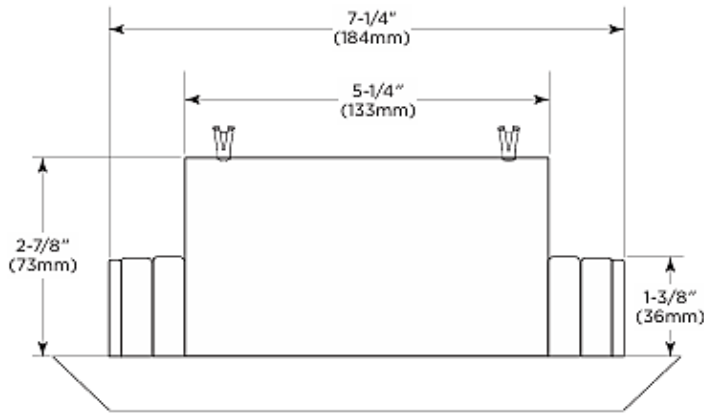
Ka Shing Enterprise (H.K.) Ltd.

ROOM 1706 NEW TERRITORIES TSUEN WAN HO LIK CENTRE, 66A SHA TSUI ROAD
 Tel:26280661 Fax: 24902700
 Email: project@kashingehk.com
 Website: www.kashingehk.com

Ivan / Horace 26280661

E/ project@kashingehk.com

W/ <https://www.kashingehk.com/>



DISCLAIMER:
Paper Roll Holder is designed for standard paper rolls that are between 4-3/8" to 4-1/2" wide. Paper holder is not compatible for other size rolls.

Toilet Paper Disclaimer Label

Spring Loaded Buttons

