

# Urinal

*American Standard*

## SANITARY WARE SPECIFICATION SHEET

Model: TF6502BD

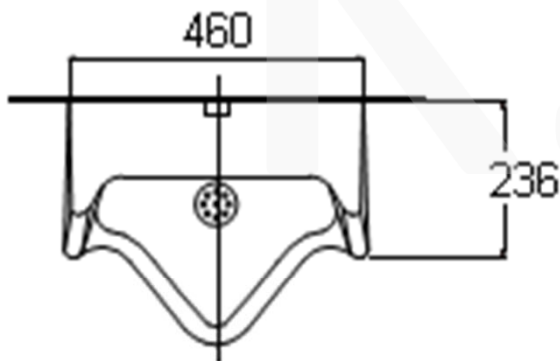
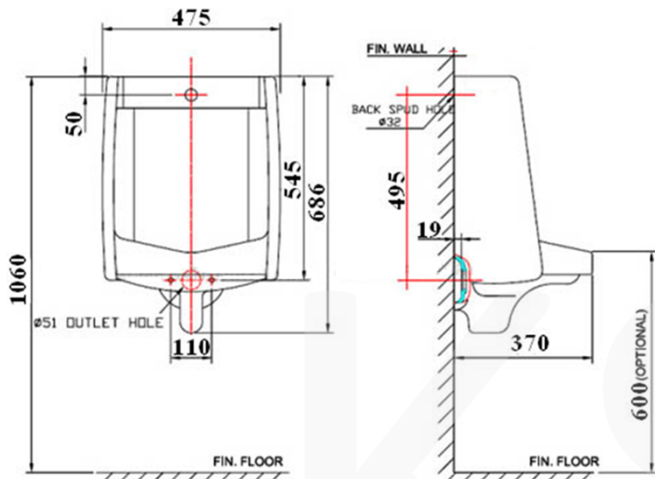
Descriptions: American Standard (Thailand) "New Washbrook" Wall hung back spud urinal ; 2.4 LPF in WELS Grade 2; Registration No. 1U 21-002322

Dimensions: L475 x W370 x H686 mm

Material : Vitreous China

Manufacturer: American Standard (Thailand)

Color : White



model: VP-1818



\* All information of the above is for the reference only. No prior notice is made if any changes.



**Ka Shing Enterprise (H.K.) Ltd.**

ROOM 1706 NEW TERRITORIES TSUEN WAN HO LIK CENTRE, 66A SHA TSUI ROAD  
Tel:26280661 Fax: 24902700  
Email: project@kashingehk.com  
Website: www.kashingehk.com

Ivan / Horace 26280661

E/ project@kashingehk.com

W/ https://www.kashingehk.com/

註冊號碼 (Registration No.): 1U 21-0023



自願參與用水效益標籤計劃 - 小便器用具  
Voluntary Water Efficiency Labelling Scheme - Urinal Equipment

Certificate of Registration

註冊證書




茲證明

This is to certify that

將下列小便器用具在本計劃內註冊：  
has registered the following urinal equipment under this scheme:

牌子 / Brand	:	American Standard
型號 / Model	:	6502BD-WT-0
種類 / Category	:	1
原產地 / Country or Region Origin	:	Thailand

在用水效益標籤上展示的標誌 <i>Symbolic Presentation on the Water Efficiency Label</i>	:		滴水點 <i>Water droplet(s)</i>
用水效益級別 <i>Water Efficiency Grade</i>	:	2	
沖水量 <i>Water Flush Volume</i>	:	2.4	公升/循環 <i>litres/cycle</i>

簽發日期: 27 August 2021  
Date of Issue:

 水務署  
Water Supplies Department



水務署署長(張業駒代行)  
for Director of Water Supplies

上述小便器用具具有智能功能，並且能達至額外節省用水。  
The above urinal equipment is operated with a smart demand operation to achieve additional water saving.