

## SANITARY WARE SPECIFICATION SHEET

Model: FFAS8704-0S0500BF0

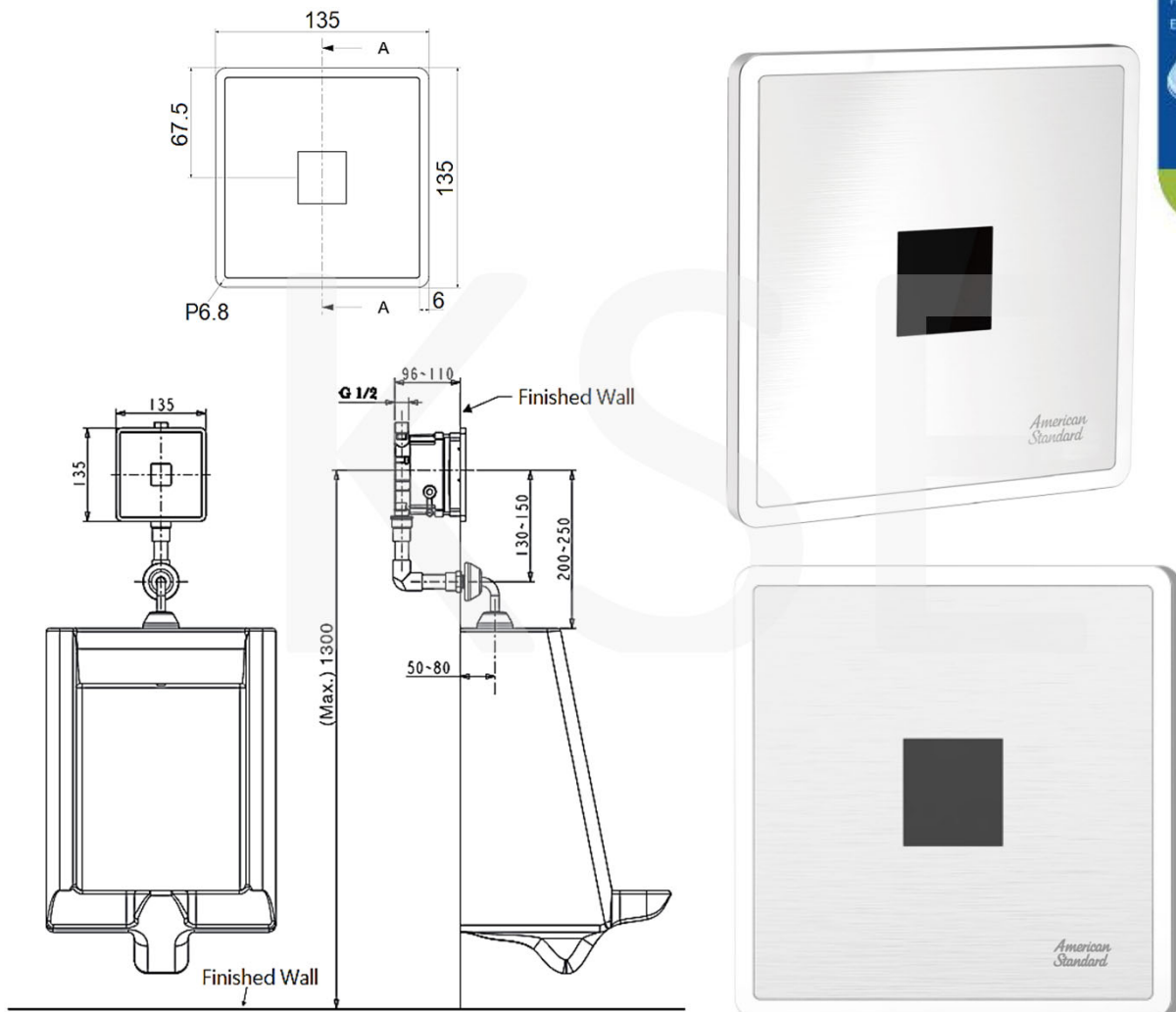
Descriptions: American Standard (PRC) 3 LPF PSD concealed urinal sensor flush valve; 6V DC supply with battery operated; nominated flow rate 1.2 L/cycle in WELS Grade 1; Registration No. 1U 23-0014

Dimensions: L135 x W110 x H135 mm

Material: Chrome Plated

Manufacturer: American Standard (PRC)

Color: Satin



Note: The Battery does not included.

\* All information of the above is for the reference only. No prior notice is made if any changes.



**Ka Shing Enterprise (H.K.) Ltd.**

ROOM 1706 NEW TERRITORIES TSUEN WAN HO LIK CENTRE, 66A SHA TSUI ROAD  
Tel: 26280661 Fax: 24902700  
Email: project@kashingehk.com  
Website: www.kashingehk.com

Ivan / Horace 26280661

E/ project@kashingehk.com

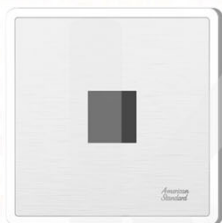
W/ https://www.kashingehk.com/

註冊號碼 (Registration No.): 1U 23-0014



自願參與用水效益標籤計劃 - 小便器用具  
Voluntary Water Efficiency Labelling Scheme - Urinal Equipment


Certificate of Registration  
註冊證書



茲證明  
This is to certify that

將下列小便器用具在本計劃內註冊：  
has registered the following urinal equipment under this scheme:

牌子 / Brand	:	American Standard
型號 / Model	:	FFAS8704-0S0500BF0
種類 / Category	:	1
原產地 / Country or Region Origin	:	China

在用水效益標籤上展示的標誌 <i>Symbolic Presentation on the Water Efficiency Label</i>	:		滴水點 <i>Water droplet(s)</i>
用水效益級別 <i>Water Efficiency Grade</i>	:	1	
沖水量 <i>Water Flush Volume</i>	:	1.2	公升/循環 <i>litres/cycle</i>

簽發日期: 9 June 2023  
Date of Issue:

 水務署  
Water Supplies Department



水務署署長(林麗恒代行)  
for Director of Water Supplies

上述小便器用具具有智能功能，並且能達至額外節省用水。  
The above urinal equipment is operated with a smart demand operation to achieve additional water saving.



水務署  
Water Supplies Department

總部 Headquarters

香港灣仔告士打道七號入境事務大樓 48 樓

48/F, Immigration Tower, 7 Gloucester Road, Wan Chai, Hong Kong

本署檔號 : (8) in WSD 3321/2022 T/J(1096/2022)  
Our ref.  
來函檔號 :  
Your ref.

電話 :  
Tel.  
傳真 : 2824 0578  
Fax.

22 December 2022



Dear Sir,

**Approval of "AMERICAN STANDARD" Sensor Flush Valve  
(General Acceptance No. C20221162F)**

Your letter ref. WRC/2779 dated 23 September 2022 and subsequent submissions received by this department up to 24 November 2022 refer.

Having considered the test report ref. 220193PC220007B issued on 14 November 2022 by Fugro Technical Services Ltd., this Authority accepts that the fitting described below complies with, and its use when correctly installed does not contravene, the Waterworks Ordinance and Regulations.

**Name of Manufacturer:** Jiangmen LIXIL AS Sanitary Fitting Manufacturing Co Ltd

**Country of Origin:** the Mainland of China

**Brand:** American Standard

**Details of Fitting:** 1/2" Sensor flush valve for urinal

**Model:** FFAS8704-0S0500BF0

**Body Markings:** *American Standard*

**Expiry Date:** 14 March 2027



**Proviso:** As the fitting has not been tested for use in contact with water intended for human consumption, the fitting can only be used in flushing water plumbing systems.

This Authority hereby permits the use of the above fitting in flushing water plumbing systems subject to full adherence to Waterworks installation requirements. In particular, you are required to draw your customers' attention to the following requirement-

"Installation of filter before flushing valve is required. Without the filter, the flushing valve is liable to leak. The installed filter need frequent inspection and cleaning to maintain flushing supply. Normally only public toilets with good management system for maintenance would be considered."

"A stop cock or gate valve must be installed at the upstream of the fitting for manual isolation of water supply."

"The design flushing volume of the flushing valve should be compatible with the toilet bowl to ensure that effective clearance can be achieved by a single flush of water."

"Flushing valve should be used within the range of working pressures specified by the manufacturer." AND

"Installation of electronic opening and closing sanitary tapware should also comply with the requirements of Electrical & Mechanical Services Department."

A condition of this acceptance is that the fitting to be installed shall be replicas of the sample as certified by the testing agent mentioned above and without modifications. This acceptance may be withdrawn at any time if the standard of the fitting installed fails to meet that of the approved sample or if the fitting is found to be unsuitable for use in flushing water plumbing systems.

For the use of the fitting in any project, the General Acceptance Number of this letter must be quoted as a means of identification of acceptance of the fitting by this Authority.

Should you have any enquiries, please contact our Engineer Ms Winnie LO at tel. no. 3583 4086.

Yours faithfully,



(YAU Hau Yin)

for Director of Water Supplies

Encl.

c.c. WSD 3321/1/82 ] - without catalogue  
ME/MC ] - with soft copy only