

## SANITARY WARE SPECIFICATION SHEET

Model: TF3254PJ + TF4313PJ

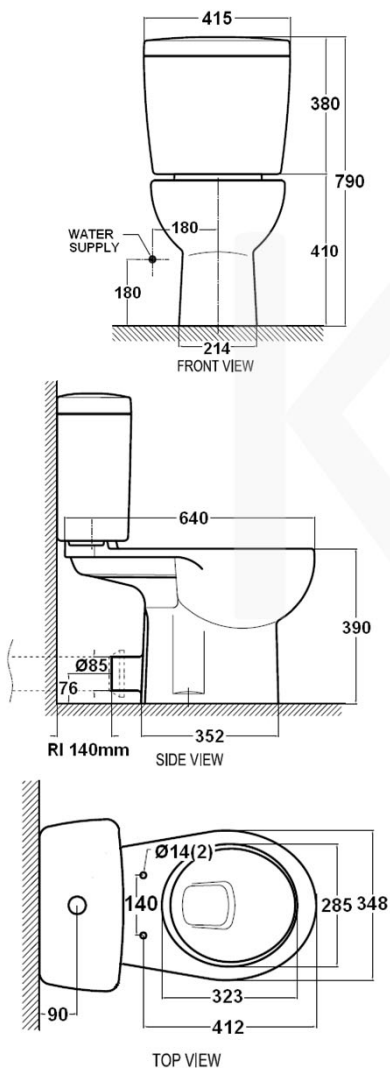
Descriptions: American Standard (Thailand) "Harmony" Close coupled dual flush vitreous china low P-trapway washdown watercloset; 3.1/4.7 litres/cycle in WELS Grade 1; Registration No. WC 21-0358

Dimensions: L660 x W415 x H790 mm

Material : Vitreous China

Manufacturer: American Standard (Thailand)

Outlet : Low P-trapway, 76mm



\* All information of the above is for the reference only. No prior notice is made if any changes.



**Ka Shing Enterprise (H.K.) Ltd.**

ROOM 1706 NEW TERRITORIES TSUEN WAN HO LIK CENTRE, 66A SHA TSUI ROAD  
Tel: 26280661 Fax: 24902700  
Email: project@kashingehk.com  
Website: www.kashingehk.com

Ivan / Horace 26280661

E/ project@kashingehk.com

W/ <https://www.kashingehk.com/>



自願參與用水效益標籤計劃 - 水廁  
Voluntary Water Efficiency Labelling Scheme - Water Closets



Certificate of Registration  
註冊證書

茲證明  
This is to certify that

將下列水廁在本計劃內註冊：  
has registered the following water closet under this scheme :

牌子 / Brand	:	American Standard + WDI
型號 / Model	:	3254PJ-XX + 4313PJ-XX + B4900H
種類 / Category	:	Close-coupled Suite
原產地 / Country or Region Origin	:	Thailand (WC Pan & Cistern) China (Flushing Valve)
XX - denotes colour variants		

在用水效益標籤上展示的標誌 <i>Symbolic Presentation on the Water Efficiency Label</i>	:	滴水點 <i>Water droplet(s)</i>
用水效益級別 <i>Water Efficiency Grade</i>	:	1
全沖水量 <i>Water Flush Volume (Full)</i>	:	4.7 公升/沖廁 <i>litres/flush</i>
低沖水量 <i>Water Flush Volume (Reduced)</i>	:	3.1 公升/沖廁 <i>litres/flush</i>

簽發日期：  
Date of Issue: 3 September 2021

水務署  
Water Supplies Department



水務署署長(張業駒代行)  
for Director of Water Supplies

+ 上述水廁具額外節水功能，即：重用洗盥水作沖廁用途。  
The above water closet is equipped with additional water saving feature, that is: re-use the water collected from wash basin for flushing purpose.



水務署  
Water Supplies Department

總部 Headquarters

香港灣仔告士打道七號入境事務大樓 48 樓

48/F, Immigration Tower, 7 Gloucester Road, Wan Chai, Hong Kong

本署檔號 : (4) in WSD 3321/2020 T/J(401/2020)  
Our ref.  
來函檔號 :  
Your ref.

電話 :  
Tel.  
傳真 : 2824 0578  
Fax.



23 June 2020

**Approval of "WDI" Float Operated Valve  
(General Acceptance No. C20200498F)**

Your letters ref. BE/L20319/20 and BE/L20359/20 dated 15 April 2020 and 22 May 2020 respectively refer.

Having considered the test report ref. RACA059r1 issued on 19 May 2020 by Ideal Test Consultants Ltd., this Authority accepts that the fitting described below complies with, and its use when correctly installed does not contravene, the Waterworks Ordinance and Regulations.

**Name of Manufacturer:** WDI (Xiamen) Technology Inc  
**Country of Origin:** the Mainland of China  
**Brand:** WDI  
**Details of Fitting:** 1/2" Plastic float operated valve  
**Model:** B3800E  
**Body Markings:** WDI  
**Expiry Date:** 25 March 2025



**Proviso:** As the fitting has not been tested for use in contact with water intended for human consumption, the fitting can only be used in flushing water plumbing system.

This Authority hereby permits the use of the above fitting in flushing water plumbing systems subject to full adherence to Waterworks installation requirements. In particular, you are required to draw your customers' attention to the following requirement-

"The flushing volume of the flushing valve should be adjusted to suit the design of the toilet bowl so that wastes can be cleared effectively by a single flush."

"The fitting should be used within the range of working pressures specified by the manufacturer." AND

"The installed fitting should not result in backflow of water that will contaminate the flushing water supply."

A condition of this acceptance is that the fitting to be installed shall be replicas of the sample as certified by the testing agent mentioned above and without modifications. This acceptance may be withdrawn at any time if the standard of the fitting installed fails to meet that of the approved sample or if the fitting is found to be unsuitable for use in flushing water plumbing systems.

For the use of the fitting in any project, the General Acceptance Number of this letter must be quoted as a means of identification of acceptance of the fitting by this Authority.

Should you have any enquiries, please contact our Engineer Mr. Terry KUNG at tel. no. 3583 4086.

Yours faithfully,



(CHAN Chung-kun)

for Director of Water Supplies

Encl.

c.c. WSD 3321/1/82 ] - without catalogue  
ME/MC ] - with soft copy only



水務署  
Water Supplies Department

總部 Headquarters

香港灣仔告士打道七號入境事務大樓 48 樓

48/F, Immigration Tower, 7 Gloucester Road, Wan Chai, Hong Kong

本署檔號 : (4) in WSD 3321/2020 T/J(399/2020)  
Our ref.  
來函檔號 :  
Your ref.

電話 :  
Tel.  
傳真 : 2824 0578  
Fax.

15 June 2020



Approval of "WDI" Flush Valve  
(General Acceptance No. C20200454F)

Your letters ref. BE/L20317/20 and BE/L20354/20 dated 15 April 2020 and 19 May 2020 respectively refer.

Having considered the test report ref. RACA058 issued on 9 April 2020 by Ideal Test Consultants Ltd., this Authority accepts that the fitting described below complies with, and its use when correctly installed does not contravene, the Waterworks Ordinance and Regulations.

**Name of Manufacturer:** WDI (Xiamen) Technology Inc  
**Country of Origin:** the Mainland of China  
**Brand:** WDI  
**Details of Fitting:** 2" Plastic dual flush valve  
**Model:** B4900H  
**Body Markings:** WDI B4900  
**Expiry Date:** 2 April 2025

**Proviso:** As the fitting has not been tested for use in contact with water intended for human consumption, the fitting can only be used in flushing water plumbing system.

This Authority hereby permits the use of the above fitting in flushing water plumbing systems subject to full adherence to Waterworks installation requirements. In particular, you are required to draw your customers' attention to the following requirement-

"The flushing volume of the flushing valve should be adjusted to suit the design of the toilet bowl so that wastes can be cleared effectively by a single flush."

"The fitting should be used within the range of working pressures specified by the manufacturer." AND

"The installed fitting should not result in backflow of water that will contaminate the flushing water supply."

A condition of this acceptance is that the fitting to be installed shall be replicas of the sample as certified by the testing agent mentioned above and without modifications. This acceptance may be withdrawn at any time if the standard of the fitting installed fails to meet that of the approved sample or if the fitting is found to be unsuitable for use in flushing water plumbing systems.

For the use of the fitting in any project, the General Acceptance Number of this letter must be quoted as a means of identification of acceptance of the fitting by this Authority.

Should you have any enquiries, please contact our Engineer Mr. Terry KUNG at tel. no. 3583 4086.

Yours faithfully,



(CHAN Chung-kun)

for Director of Water Supplies

Encl.

c.c.    WSD 3321/1/82 ] - without catalogue  
         ME/MC        ] - with soft copy only