

Disable Mirror

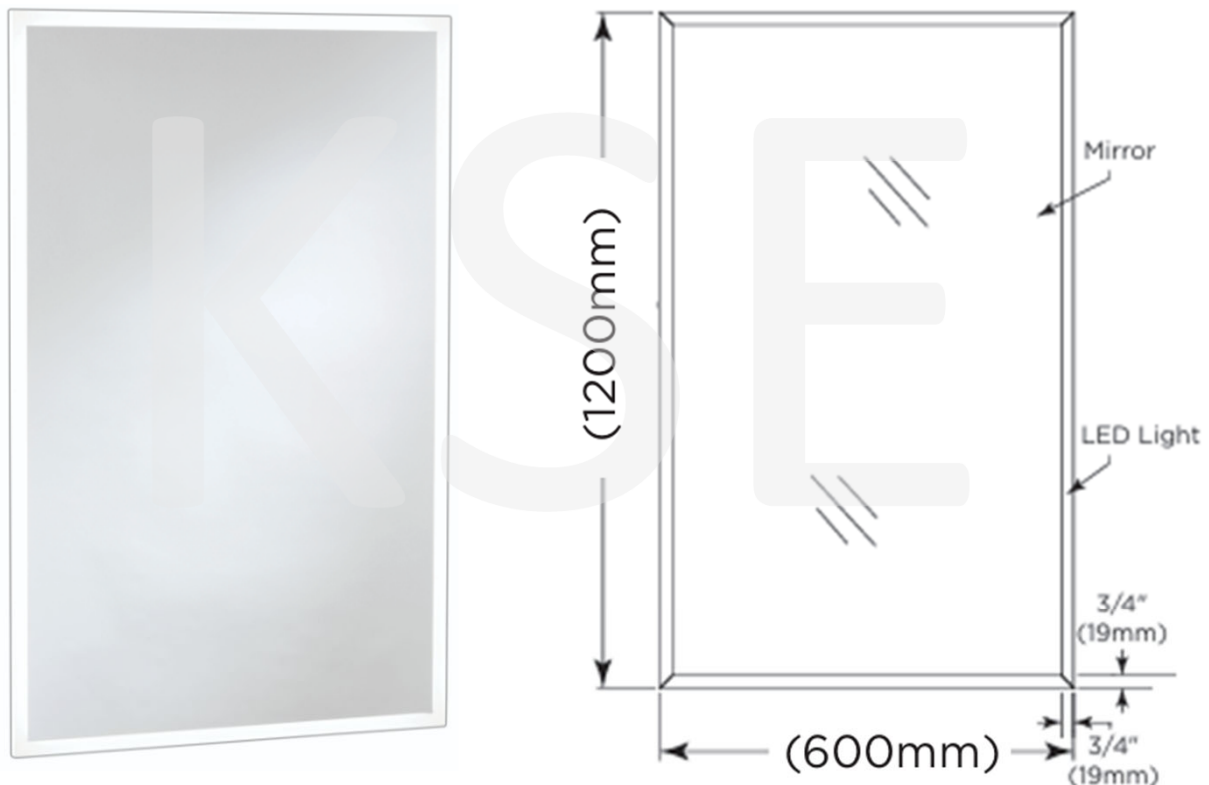


SANITARY WARE SPECIFICATION SHEET

Model: B-167 2448

Descriptions: Bobrick (USA) LED high quality commercial grade mirror with frosted sandblasting AC supply

Dimensions: L44 x W600 x H1200 mm Material : Glass
Manufacturer: Bobrick Washroom Equipment Inc. (USA)



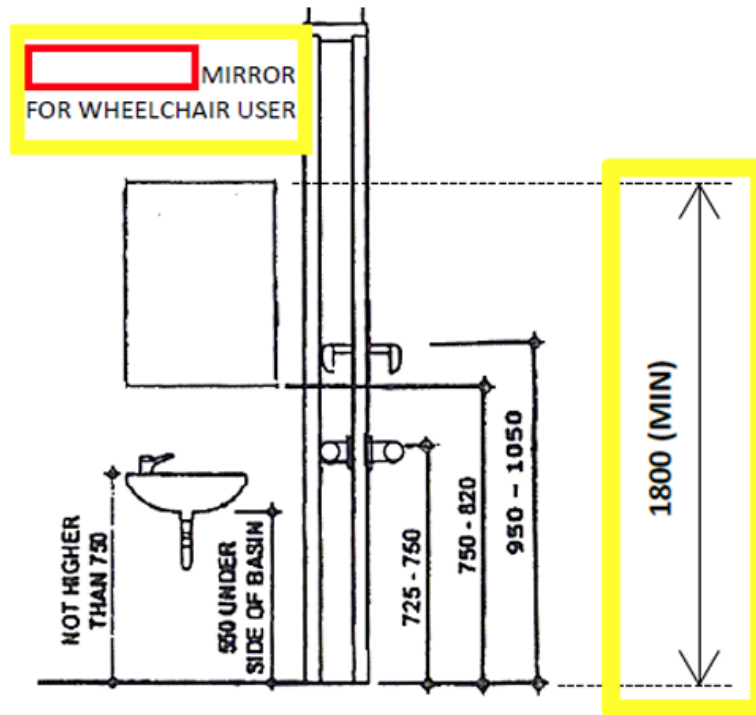
* All information of the above is for the reference only. No prior notice is made if any changes.



Ka Shing Enterprise (H.K.) Ltd.

ROOM 1706 NEW TERRITORIES TSUEN WAN HO LIK CENTRE, 66A SHA TSUI ROAD
Tel:26280661 Fax: 24902700
Email: project@kashingehk.com
Website: www.kashingehk.com

Ivan / Horace 26280661
E/ project@kashingehk.com
W/ <https://www.kashingehk.com/>



Extracted from Design Manual - Barrier Free Access 2008 (Amendments in Jun 2019)

Designer's Notes:

1. Mirrors are manufactured to a $\pm 0.04''$ (1mm).
2. For sufficient space to lift mirror onto key hole slots allow 1".
3. ADA requires mirrors located above lavatories or countertops shall be installed with the bottom edge of the reflecting surface 40" (1015mm) maximum above the finished floor. Mirrors not located above lavatories or countertops shall be installed with the bottom edge of the reflecting surface 35" (890mm) maximum above the finished floor. For lit mirrors this means the dimension is to the inner most edge of the lit portion.

MATERIALS:

Glass – 0.19" (5mm) thick safety mirror with 0.14mm PVC film backer with frosted sandblasting.

Extruded Back – Aluminum channel with mounting holes.

Optional 6V AC Adapter with U.S. Plug – Available. Order Part No. 164-57.



Ka Shing Enterprise (H.K.) Ltd.

ROOM 1706 NEW TERRITORIES TSUEN WAN HO LIK CENTRE, 66A SHA TSUI ROAD
 Tel: 26280661 Fax: 24902700
 Email: project@kashingehk.com
 Website: www.kashingehk.com

Ivan / Horace 26280661

E/ project@kashingehk.com

W/ <https://www.kashingehk.com/>

Safety Instructions:

- Disconnect power before installing, adding or changing any component.
- To avoid a hazard to children, account for all parts and destroy all packing materials.
- Do not install any luminaire assembly closer than 6" from any combustible materials.
- This power supply must be installed according to the National Electrical Code and local building codes.

INSTALLATION:

Mark the location of the wire exit and mounting holes. See individual product specifications for mounting hole locations. Install a duplex receptacle (not provided).

The mirror has an optional 30" cord with three-prong plug (order 164-57), so the outlet should be installed a few inches away from the wire exit. Locating it too close to the wire exit may interfere with the power supply housing and prevent the mirror from being plugged in properly.

Install mounting screws into pre-marked holes. It is highly recommended that all mirrors be installed in contractor supplied blocking, however, drywall anchors may be used if no blocking is available.

For added safety, Bobrick recommends the 55-1/8" x 25-5/8" (1400 x 650mm) or larger edge lit mirror only be installed in blocking. If blocking is not available, drywall toggle bolts (not provided) should be used.

IMPORTANT SAFETY INSTRUCTIONS - SAVE THESE INSTRUCTIONS

Read all instructions before using this mirror.

DANGER - To reduce the risk of electric shock; Always unplug this mirror from the electrical outlet before cleaning.



Ka Shing Enterprise (H.K.) Ltd.




ROOM 1706 NEW TERRITORIES TSUEN WAN HO LIK CENTRE, 66A SHA TSUI ROAD
Tel:26280661 Fax: 24902700
Email: project@kashingehk.com
Website: www.kashingehk.com

Ivan / Horace 26280661

E/ project@kashingehk.com

W/ <https://www.kashingehk.com/>

TOOLS NEEDED (Customer Supplied):

		
Toggle Bolts (optional)	Tape Measure	Electric Drill



WARNING - To reduce the risk of burns, fire, electric shock, or injury to persons:

- Unplug from outlet before putting on or taking off parts.
- Close supervision is necessary when this mirror is used by, or near children, invalids, or disabled persons.
- Use this mirror only for its intended use as described in these instructions.
- Never operate this mirror if it has a damaged cord or plug, if it is not working properly, if it has been dropped or damaged, or dropped into water.
- Keep the cord away from heated surfaces.
- Never drop or insert any object into any opening.
- Do not use outdoors.
- **WARNING:** Risk of electric shock - Connect this mirror to a properly grounded outlet only. See grounding instructions.

GROUNDING INSTRUCTIONS

This mirror is for use on a nominal 120V circuit and has an optional three prong grounding plug that looks like the plug illustrated in sketch below. Make sure that the mirror is connected to an outlet having the same configuration as the plug, No adapter should be used with this mirror.



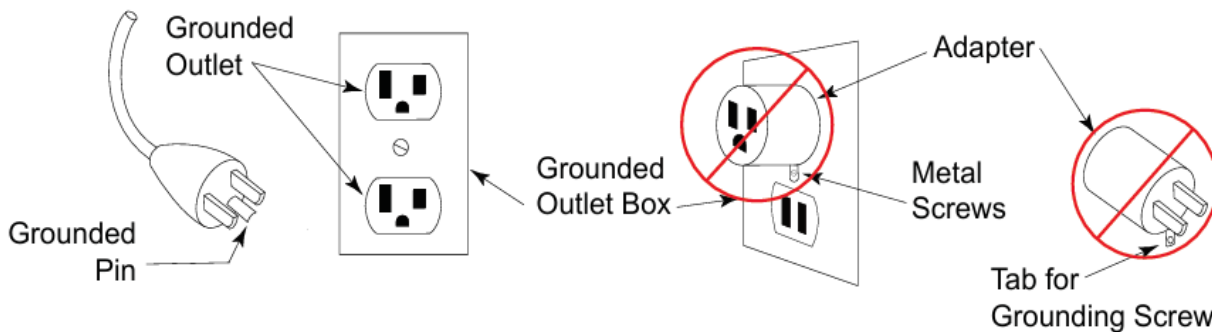
Ka Shing Enterprise (H.K.) Ltd.

ROOM 1706 NEW TERRITORIES TSUEN WAN HO LIK CENTRE, 66A SHA TSUI ROAD
Tel:26280661 Fax: 24902700
Email: project@kashingehk.com
Website: www.kashingehk.com

Ivan / Horace 26280661

E/ project@kashingehk.com

W/ <https://www.kashingehk.com/>



SPECIFICATION:

Mirrors shall have a 1mm thick anodized AL6061 frame with 12mm thick translucent acrylic edge. Integral cULus recognized power supply must have 24V output and 110 - 277V input along with 0-10V dimming option. Reflective surface shall be 0.6" (1.5mm) thick and covered with a 0.14mm PVC film backer with frosted sandblasting. Lead free silver backing shall exceed ISO 9227:2012 and exceed 120-hour corrosion testing. Aluminum mounting panel shall contain key hole slots both top and bottom to provide easy installation and prevent the mirror from pulling away from the wall.

INSTRUCTIONS FOR INSTALLATION BOBRICK MODEL B-167 LED BACKLIT MIRROR (OUTER ETCHED)

IMPORTANT SAFETY INSTRUCTIONS - SAVE THESE INSTRUCTIONS

Read all instructions before using this mirror.

**MIRRORS SHOULD ONLY BE INSTALLED USING THE FOLLOWING INSTRUCTIONS.
FAILURE TO FOLLOW THESE INSTRUCTIONS WILL VOID THE WARRANTY.**

WARNING - To reduce the risk of burns, fire, electric shock, or injury to persons:

- Turn off power before putting on or taking off parts.
- Close supervision is necessary when this mirror is used by, or near children, invalids, or disabled persons.
- Use this mirror only for its intended use as described in these instructions. Do not use attachments not recommended by Bobrick.
- This product shall be installed by a licensed electrician in accordance with local codes and regulations.
- Never operate this mirror if it has damaged wires, if it is not working properly, if it has been dropped or damaged, or dropped into water. Contact Bobrick for a replacement mirror.
- Never drop or insert any object into any opening.
- Do not use outdoors.
- Exposing the mirror edges to liquids may cause a permanent discoloration to the mirror etching that is NOT covered by Bobrick warranty.
- Electrical Specs: 100-277V | 50/60HZ | 100W Max | 1.3A Max

CLEANING INSTRUCTIONS

- Clean mirrors with warm water and a soft, lint free cloth, do not allow liquids to seep under the edges. Don't use abrasive, acid or alkali cleaners or products with ammonia or vinegar.
- Apply mild cleaners directly to a cloth, do not spray directly on the mirror. Applying liquids directly to the mirror's surface may allow the liquid to seep/wick between the layers on the edge of the mirror. If this occurs there may be a permanent discoloration on the mirror etching which is NOT covered by Bobrick warranty.
- Dry mirror immediately following cleaning and make sure all joints and edges are dry.

TROUBLESHOOTING

The mirror doesn't light:

- A.** Check the connection between the mirror and buildings wiring.
- B.** Verify that there is power coming out of the power supply.
- C.** Verify that there is 120V power coming out of the buildings junction box.
- D.** Verify that the tape light has not been unplugged from the power supply.



Ka Shing Enterprise (H.K.) Ltd.

ROOM 1706 NEW TERRITORIES TSUEN WAN HO LIK CENTRE, 66A SHA TSUI ROAD
Tel: 26280661 Fax: 24902700
Email: project@kashingehk.com
Website: www.kashingehk.com

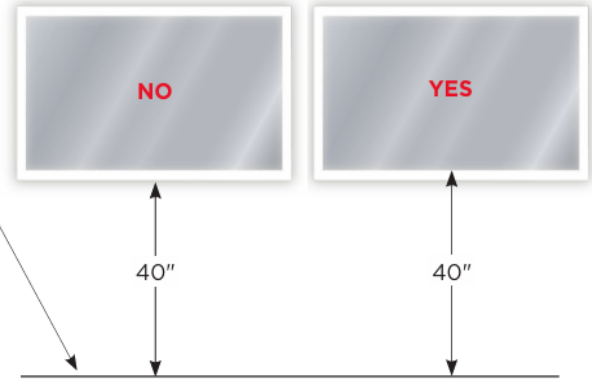
Ivan / Horace 26280661

E/ project@kashingehk.com

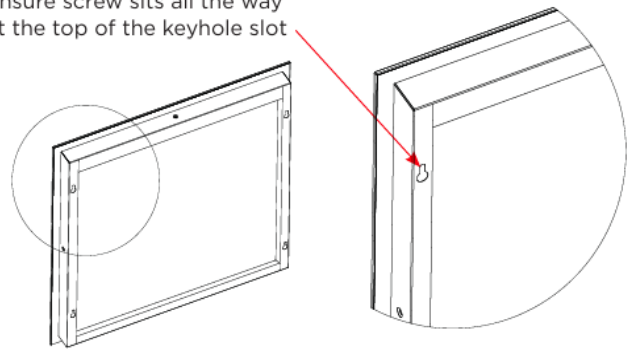
W/ <https://www.kashingehk.com/>

1. Mark the location of the mounting holes. See individual product specifications on page two for mounting hole locations.

ADA requires that "Mirrors shall be mounted with the bottom edge of the reflecting surface no higher than 40 in (1015mm) above the finished floor." For lit mirrors this means the dimension is to the inner most edge of the lit portion (not required by cULus).



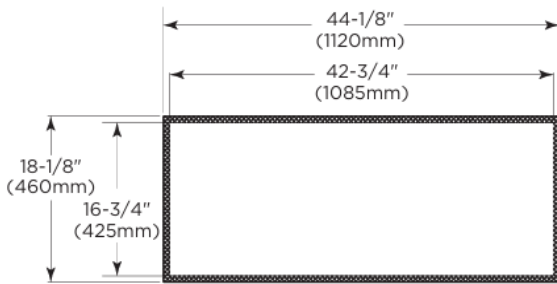
Ensure screw sits all the way at the top of the keyhole slot



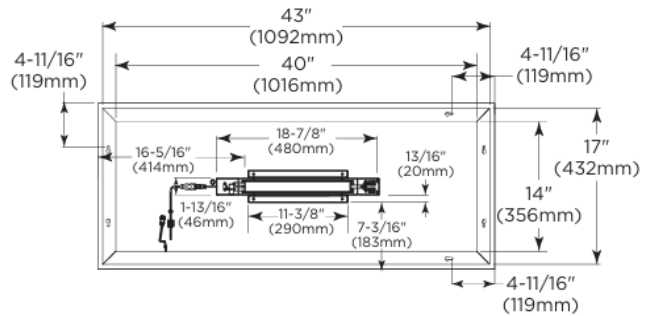
2. Install included #14 round slotted wood mounting screws into pre-marked holes. Note, all mirrors must be installed in contractor supplied blocking, a minimum of 2"x4" studs.

Slide the mirror assembly onto the screws.

3. Dimensional drawings



18" (457mm) X 44" (1118mm)

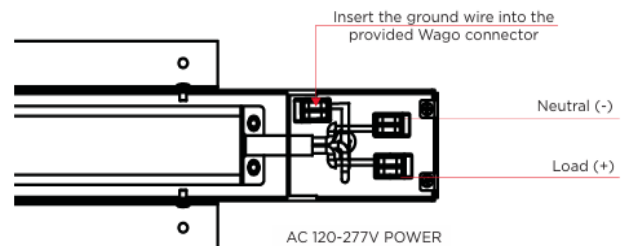
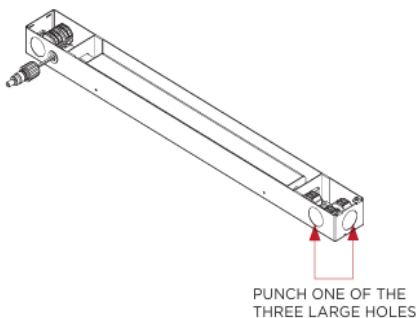


4. Wiring & Grounding Instructions

Punch out one of the three holes on the power supply box and bring in incoming AC power wires to the box. Utilize the provided Romex connectors and **make all connections inside the power supply box** following the wiring diagram below. Please note, the lighting will be pre-wired to the mirror.

GROUNDING INSTRUCTIONS

This product must be connected to a grounded metal, permanent wiring system, or an equipment grounding conductor must be run with the circuit conductors and connected to the equipment grounding terminal or lead on the product.



Ka Shing Enterprise (H.K.) Ltd.

ROOM 1706 NEW TERRITORIES TSUEN WAN HO LIK CENTRE, 66A SHA TSUI ROAD

Tel: 26280661 Fax: 24902700

Email: project@kashingehk.com

Website: www.kashingehk.com

Ivan / Horace 26280661

E/ project@kashingehk.com

W/ <https://www.kashingehk.com/>