

## SANITARY WARE SPECIFICATION SHEET

Model: 511964C

Descriptions: Delabie (France) "Be-Line" Ø42 x 850mm long Matte black power-coated aluminium grip grab rail with anti-theft locking system

Dimensions: L120 x W210 x D850 mm

Material : Metallised aluminium

Manufacturer: Delabie (France)

Finish : Matte black



### ADVANTAGES



Innovative design suitable for all users



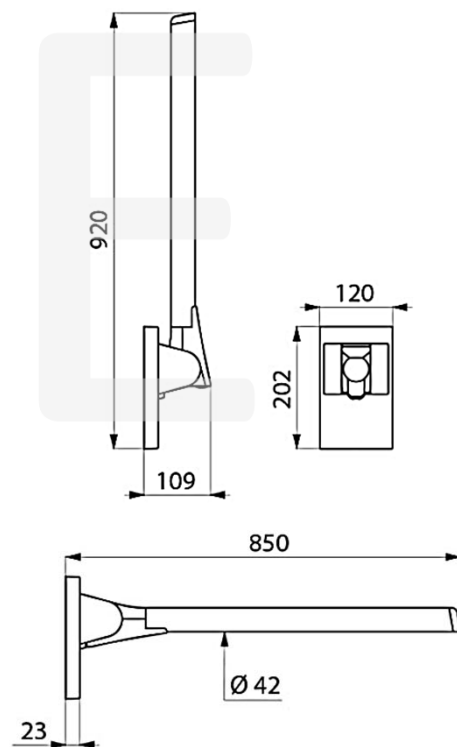
Removable: easy to unclip



Comfort: ergonomic flat face prevents rotation



Tested to over 200kg



\* All information of the above is for the reference only. No prior notice is made if any changes.



**Ka Shing Enterprise (H.K.) Ltd.**

ROOM 1706 NEW TERRITORIES TSUEN WAN HO LIK CENTRE, 66A SHA TSUI ROAD  
Tel:26280661 Fax: 24902700  
Email: project@kashinghk.com  
Website: www.kashinghk.com

Ivan / Horace 26280661

E/ project@kashinghk.com

W/ <https://www.kashinghk.com/>

## DESCRIPTION

Be-Line drop-down support rail, L. 850mm, anthracite

Ref. 511964C

Be-Line® drop-down support rail for people with reduced mobility.

In the lowered position use as a grab bar, as a support for standing and for assisting movement, for WCs or showers.

Allows side access in the raised position.

Removable: easy to remove with anti-theft locking system. Reduces the number of grab bars in a facility, allowing installation only when required.

Example: hotels or hospitals providing short-term accommodation for disabled people.

Drop-down rail with slowed down descent. Retained in upright position.

Aluminium tube.

Rounded profile Ø 42mm with ergonomic flat front face that prevents rotation for an optimal grip.

Metallised anthracite powder-coated aluminium finish provides a good visual contrast with light-coloured walls.

Uniform surface for easy maintenance and hygiene.

Concealed fixings secured to wall by a 304 stainless steel plate, 5mm thick.

Supplied with stainless steel screws Ø 8 x 70mm for concrete walls.

Dimensions: 850 x 210 x 120mm.

Tested to over 200kg. Maximum recommended user weight: 135kg.

*\* All information of the above is for the reference only. No prior notice is made if any changes.*



**Ka Shing Enterprise (H.K.) Ltd.**

ROOM 1706 NEW TERRITORIES TSUEN WAN HO LIK CENTRE, 66A SHA TSUI ROAD

Tel: 26280661 Fax: 24902700

Email: [project@kashingehk.com](mailto:project@kashingehk.com)

Website: [www.kashingehk.com](http://www.kashingehk.com)

Ivan / Horace 26280661

E/ [project@kashingehk.com](mailto:project@kashingehk.com)

W/ <https://www.kashingehk.com/>

## INSTALLATION & CARE

EN

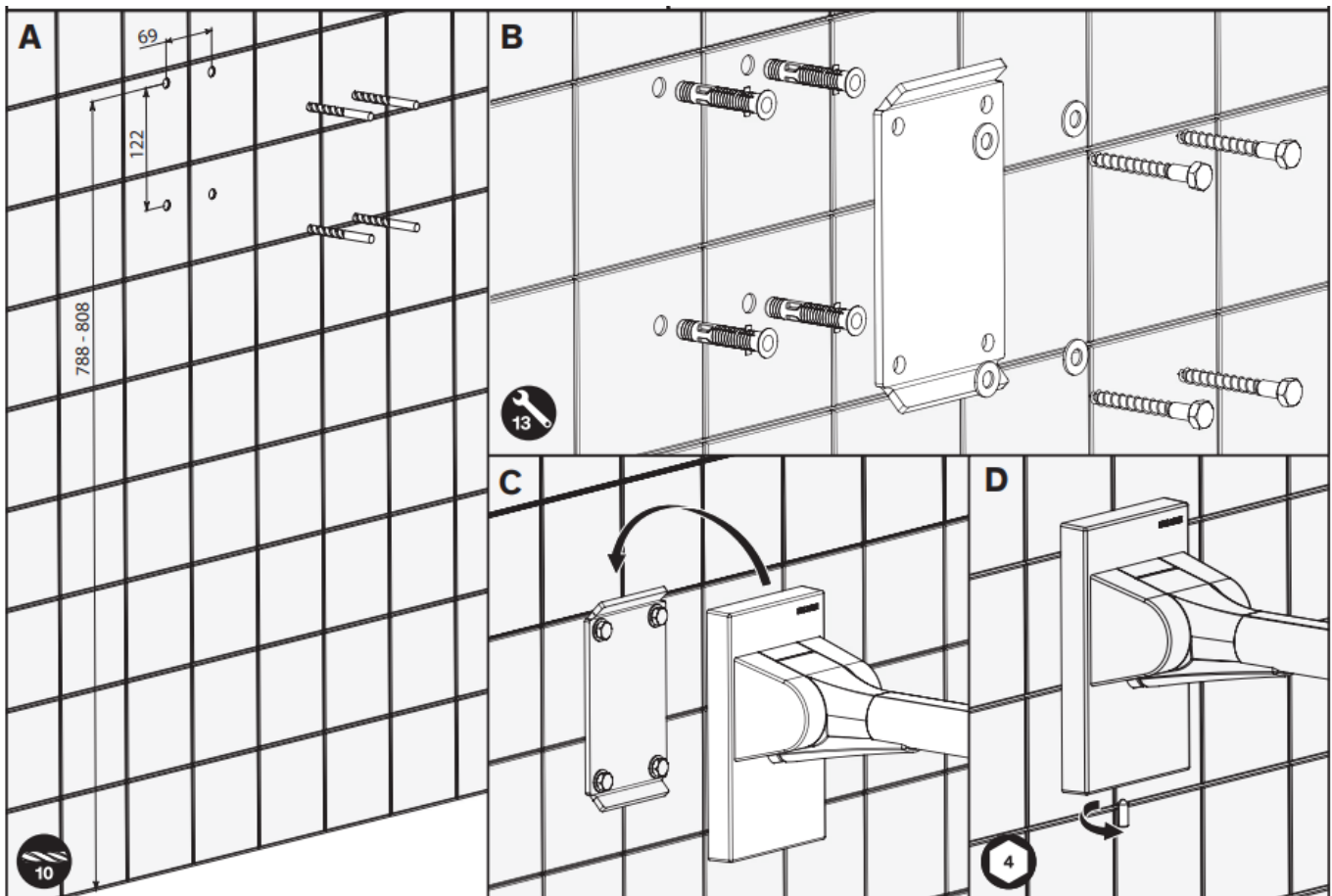
- Ensure screws and rawl plugs are suitable for wall mounting and reinforce if necessary.
- Installation should be undertaken by professional installers only.
- Maximum user weight: 135kg. Make sure that the wall and/or surface can support this weight. Reinforce the wall if necessary and/or adapt the surface if necessary.
- Clean using a soft, damp cloth or with cleaning products and disinfectants. Do not use acid-based products or scouring powder.



Product conforms to European standard EN 12182 and the Directive 93/42/CEE.



DELABIE



\* All information of the above is for the reference only. No prior notice is made if any changes.



**Ka Shing Enterprise (H.K.) Ltd.**

ROOM 1706 NEW TERRITORIES TSUEN WAN HO LIK CENTRE, 66A SHA TSUI ROAD  
Tel: 26280661 Fax: 24902700  
Email: [project@kashingehk.com](mailto:project@kashingehk.com)  
Website: [www.kashingehk.com](http://www.kashingehk.com)

Ivan / Horace 26280661

E/ [project@kashingehk.com](mailto:project@kashingehk.com)

W/ <https://www.kashingehk.com/>