

SANITARY WARE SPECIFICATION SHEET

Model: WF-8004.0S0.50

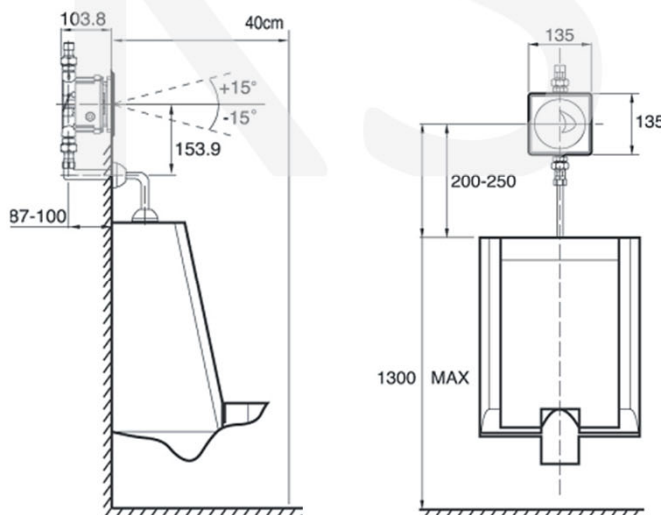
Descriptions: American Standard (PRC) Concealed urinal sensor for sea water ; battery operated ; ADM MODE ; 24 hrs flushing system ; Water flush volume 1.5 litres/cycle in WELS Grade 1 ; Registration No. 1U 19-0004

Dimensions: L345 x W320 x H605 mm

Material : Vitreous China

Manufacturer: American Standard (PRC)

Color : White



Specification:

Battery supply: 6V Lithium Battery

Mode of the inducing: a. Infrared Induction b. ADM Mode"

Detects Range (Default): 40CM

Detects Time: 3 Seconds

Flush Time: Pre-Flush 1.5 seconds/
Second Flush 8 Seconds

Flush Volume: 4L or Less

Pressure Requirement: 0.1Mpa ~
0.75Mpa

Pipe Size: G 1/2"

Environment Temperature: 1°C ~ 40°C

Acceptable Water temperature: 1°C ~
40°C

Wall Opening: 116 x 116 x 104mm

* All information of the above is for the reference only. No prior notice is made if any changes.



Ka Shing Enterprise (H.K.) Ltd.

ROOM 1706 NEW TERRITORIES TSUEN WAN HO LIK CENTRE, 66A SHA TSUI ROAD

Tel: 26280661 Fax: 24902700

Email: project@kashingehk.com

Website: www.kashingehk.com

Ivan / Horace 26280661

E/ project@kashingehk.com

W/ <https://www.kashingehk.com/>

註冊號碼 (Registration No.):

1U 19-0004



自願參與用水效益標籤計劃 - 小便器用具
Voluntary Water Efficiency Labelling Scheme - Urinal Equipment

Certificate of Registration

註冊證書



茲證明

This is to certify that

將下列小便器用具在本計劃內註冊：
has registered the following urinal equipment under this scheme :

牌子 / Brand	:	American Standard
型號 / Model	:	WF-8004.0S0.50
種類 / Category	:	1
原產地 / Country or Region Origin	:	China

在用水效益標籤上展示的標誌

Symbolic Presentation on the Water Efficiency Label



滴水點

Water droplet(s)

用水效益級別

Water Efficiency Grade

1

沖水量

Water Flush Volume

1.5

公升/循環

litres/cycle

簽發日期:

Date of Issue:

22 March 2019



水務署

Water Supplies Department



水務署署長(張業駒代行)

for Director of Water Supplies

• 上述小便器用具具有智能功能，並且能達至額外節省用水。

The above urinal equipment is operated with a smart demand operation to achieve additional water saving.



水務署
Water Supplies Department

總部 Headquarters
香港灣仔告士打道七號入境事務大樓 48 樓
48/F, Immigration Tower, 7 Gloucester Road, Wan Chai, Hong Kong

本署檔號 : (4) in WSD 3321/2021 T/J(1735/2021)
Our ref.
來函檔號 :
Your ref.

電話 :
Tel.
傳真 : 2824 0578
Fax.

18 March 2022



Dear Sir,

**Approval of "AMERICAN STANDARD" Sensor Flush Valves
(General Acceptance No. C20220209F)**

Your letters ref. WRC/2691 and C-WSD/0902 dated 30 November 2021 and 14 February 2022 respectively refer.

Having considered the test report ref. J24959Ar2 issued on 14 January 2022 by Nutek Systems (HK) Limited, this Authority accepts that the fittings described below comply with, and their use when correctly installed does not contravene, the Waterworks Ordinance and Regulations.

Name of Manufacturer: American Standard
Country of Origin: the Mainland of China
Brand: American Standard
Details of Fitting: 1/2" Sensor flush valve for urinal
Model: WF-8004.OS0.50
WF-8014.OS0.50
Body Markings: *American Standard*
Expiry Date: 4 November 2026



Proviso: As the fittings have not been tested for use in contact with water intended for human consumption, the fittings can only be used in flushing water plumbing system.

This Authority hereby permits the use of the above fittings in flushing water plumbing systems subject to full adherence to Waterworks installation requirements. In particular, you are required to draw your customers' attention to the following requirement-

"Installation of filter before flushing valve is required. Without the filter, the flushing valve is liable to leak. The installed filter need frequent inspection and cleaning to maintain flushing supply. Normally only public toilets with good management system for maintenance would be considered."

"A stop cock or gate valve must be installed at the upstream of the fittings for manual isolation of water supply."

"The design flushing volume of the flushing valves should be compatible with the toilet bowl to ensure that effective clearance can be achieved by a single flush of water."

"Flushing valve should be used within the range of working pressures specified by the manufacturer." AND

"Installation of electronic opening and closing sanitary tapware should also comply with the requirements of Electrical & Mechanical Services Department."

A condition of this acceptance is that the fittings to be installed shall be replicas of the samples as certified by the testing agent mentioned above and without modifications. This acceptance may be withdrawn at any time if the standard of the fittings installed fails to meet that of the approved samples or if the fittings are found to be unsuitable for use in flushing water plumbing systems.

For the use of the fittings in any project, the General Acceptance Number of this letter must be quoted as a means of identification of acceptance of the fittings by this Authority.

Should you have any enquiries, please contact our Engineer Ms Winnie LO at tel. no. 3583 4086.

Yours faithfully,



(YAU Hau Yin)

for Director of Water Supplies

Encl.

c.c. WSD 3321/1/82] - without catalogue
ME/MC] - with soft copy only