

## SANITARY WARE SPECIFICATION SHEET

Model: WF-5608.501.5L (Mixer)

64647040 (Aerator)

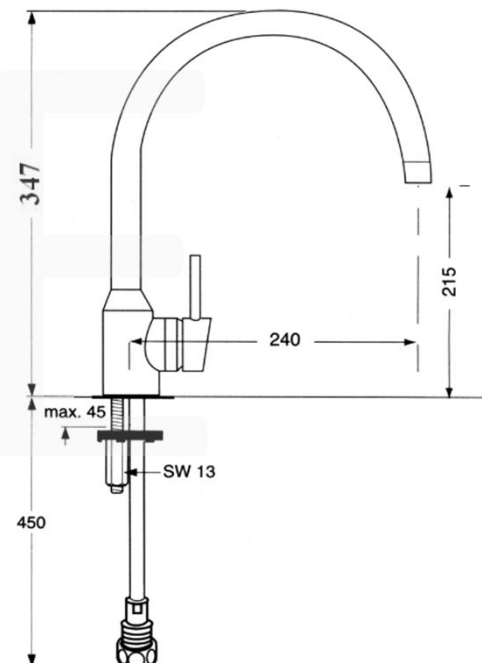
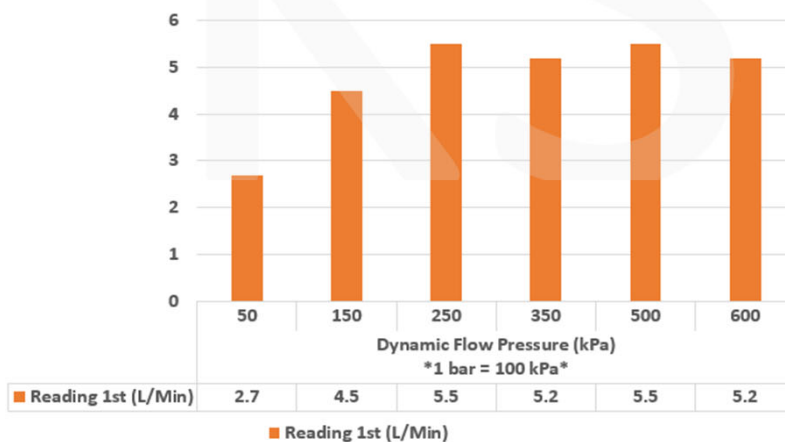
Descriptions: American Standard (PRC) "Minimalistic" Chrome plated Super low-lead kitchen mixer with 240mm swivel spout for wide coverage; Nominal flow rate 5L/Min in WELS Grade 1 ; Registration No. TM 17-0137

Dimensions: Height : 347mm

Finish :

Chrome Plated

Manufacturer: American Standard (PRC)



\* All information of the above is for the reference only. No prior notice is made if any changes.



**Ka Shing Enterprise (H.K.) Ltd.**

ROOM 1706 NEW TERRITORIES TSUEN WAN HO LIK CENTRE, 66A SHA TSUI ROAD  
Tel:26280661 Fax: 24902700  
Email: project@kashingehk.com  
Website: www.kashingehk.com

Ivan / Horace 26280661

E/ project@kashingehk.com

W/ <https://www.kashingehk.com/>

註冊號碼 (Registration No.): TM 18-0219



自願參與用水效益標籤計劃 - 水龍頭  
Voluntary Water Efficiency Labelling Scheme - Water Taps

Certificate of Registration  
註冊證書

茲證明

This is to certify that



將下列水龍頭在本計劃內註冊：  
has registered the following water tap under this scheme :

牌子 / Brand	:	American Standard
型號 / Model	:	64647040 + WF-5608.501.5L
種類 / Type	:	Mixing
原產地 / Country or Region Origin	:	China

在用水效益標籤上展示的標誌

*Symbolic Presentation on the Water Efficiency Label* :



滴水點

*Water droplet(s)*

用水效益級別

*Water Efficiency Grade* :

1

耗水量

*Water Consumption* :

5

公升/分鐘

*litres/minute*

簽發日期：  
Date of Issue: 25 August 2017



水務署  
Water Supplies Department



水務署署長(周世威代行)  
for Director of Water Supplies



水務署  
Water Supplies Department

總部 Headquarters  
香港灣仔告士打道七號入境事務大樓 48 樓  
48/F, Immigration Tower, 7 Gloucester Road, Wan Chai, Hong Kong

本署檔號 : (2) in WSD 3321/2021 T/J(283/2021)  
Our ref.  
來函檔號 :  
Your ref.

電話 :  
Tel.  
傳真 : 2824 0578  
Fax.

19 March 2021



Approval of "AMERICAN STANDARD" Sink Mixer  
(General Acceptance No. C20210295)

Your letter ref. WRC/2287 dated 2 February 2021 refers.

Having considered the test report ref. J25352 issued on 2 July 2020 by Nutek Systems (HK) Ltd., this Authority accepts that the fitting described below complies with, and its use when correctly installed does not contravene, the Waterworks Ordinance and Regulations.

**Name of Manufacturer:** American Standard  
**Country of Origin:** the Mainland of China  
**Brand:** American Standard  
**Details of Fitting:** 1/2" Single lever sink mixer  
**Model:** WF-5608.501.5L  
**Body Markings:** *American Standard*  
**Expiry Date:** 2 June 2025



This Authority hereby permits the use of the above fitting in fresh water plumbing systems subject to full adherence to Waterworks installation requirements. In particular, you are required to draw your customers' attention to the following requirement-

"The cold water supply to the fitting shall be drawn from the same source that supplies the hot water apparatus so as to provide a balanced pressure and to obviate the risk of scalding in the event of a restriction or failure in the water supply."

A condition of this acceptance is that the fitting to be installed shall be replicas of the sample as certified by the testing agent mentioned above and without modifications. This acceptance may be withdrawn at any time if the standard of the fitting installed fails to meet that of the approved sample or if the fitting is found to be unsuitable for use in fresh water plumbing systems.

This acceptance is only applicable to the main body of the fitting, unless otherwise specified.

For the use of the fitting in any project, the General Acceptance Number of this letter must be quoted as a means of identification of acceptance of the fitting by this Authority.

Should you have any enquiries, please contact our Engineer Mr. Terry KUNG at tel. no. 3583 4086.

Yours faithfully,



(Roger WONG)

for Director of Water Supplies

Encl.

c.c.      WSD 3321/1/82    ] - without catalogue  
            ME/MC            ] - with soft copy only