

## SANITARY WARE SPECIFICATION SHEET

Model: TF3253PJ (Bowl)

S-3304.3 (Cistern)

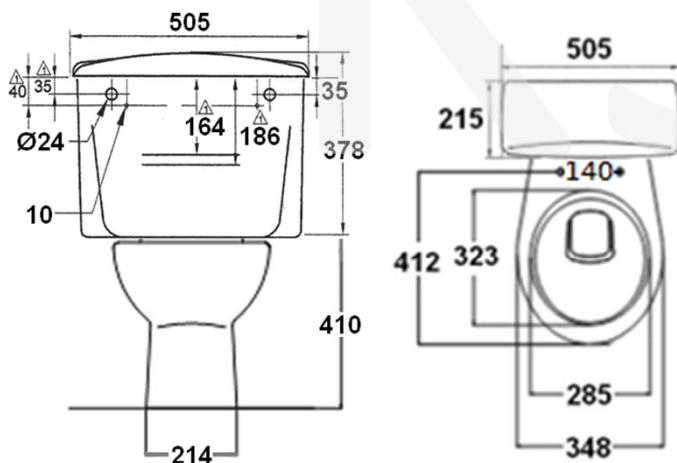
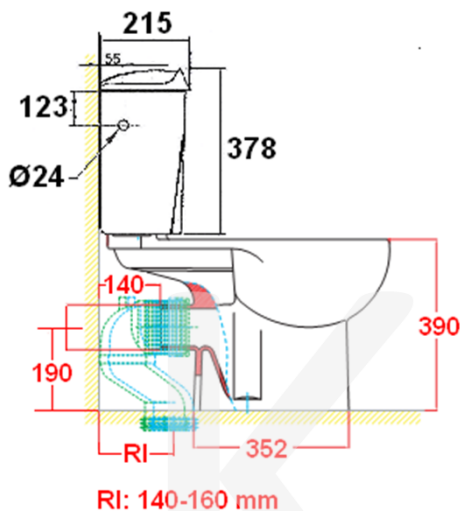
Descriptions: American Standard (Thailand) Vitreous china close-coupled horizontal outlet watercloset c/w "Marvel" tank with chrome plated easy grip (large) lever\* (For disabled) ; Operating force of flushing control less than 22N ; test report J24271 ; complied with Barrier Free Access 2008 ; 6.4 LPF in WELS Grade 3; Registration No.: WC 20-0008

Dimensions: L690 x W505 x H788 mm

Material : Vitreous China

Manufacturer: American Standard (Thailand)

Color : White



Note: \*Easy grip (large) lever is designed for disabled use.

\* All information of the above is for the reference only. No prior notice is made if any changes.



### Ka Shing Enterprise (H.K.) Ltd.

ROOM 1706 NEW TERRITORIES TSUEN WAN HO LIK CENTRE, 66A SHA TSUI ROAD  
 Tel:26280661 Fax: 24902700  
 Email: project@kashingehk.com  
 Website: www.kashingehk.com

Ivan / Horace 26280661

E/ project@kashingehk.com

W/ <https://www.kashingehk.com/>



自願參與用水效益標籤計劃 - 水廁  
Voluntary Water Efficiency Labelling Scheme - Water Closets

Certificate of Registration

註冊證書




茲證明

This is to certify that

將下列水廁在本計劃內註冊：  
has registered the following water closet under this scheme :

牌 子 / Brand	:	American Standard + Star + Kims
型 號 / Model	:	TF3253PJ + S-3304.3 + B05-505
種 類 / Category	:	Close-coupled Suite
原 產 地 / Country or Region Origin	:	Thailand (WC Pan and Cistern) China (Flushing Valve)

在用水效益標籤上展示的標誌 <i>Symbolic Presentation on the Water Efficiency Label</i>	:	 滴水點 <i>Water droplet(s)</i>
用水效益級別 <i>Water Efficiency Grade</i>	:	3
全沖水量 <i>Water Flush Volume (Full)</i>	:	6.4 公升/沖廁 <i>litres/flush</i>
低沖水量 <i>Water Flush Volume (Reduced)</i>	:	Not specified 公升/沖廁 <i>litres/flush</i>

簽發日期:  
Date of Issue: 29 April 2020

 水務署  
Water Supplies Department



水務署署長(張業駒代行)  
for Director of Water Supplies


+ 上述水廁具額外節水功能，即：重用洗盤水作沖廁用途。  
The above water closet is equipped with additional water saving feature, that is: re-use the water collected from wash basin for flushing purpose.



# Nutek Systems

Nutek Systems (HK) Limited, Unit B, 13/F, Block A, Universal Industrial Centre, 23-25 Shan Mei Street, FO TAN, N.T., HONG KONG  
Tel: +852 2605 5736 Fax: +852 2692 0798 info@nuteksystems.com www.nuteksystems.com

## Test Report

TITLE : Testing of Flushing Control  
 REFERENCE NO. : J 24271  
 DESCRIPTION OF SAMPLE<sup>1</sup> : 'Marvel' tank with disabled lever  
 SAMPLE SUBMITTED BY<sup>1</sup> :  
 MANUFACTURER<sup>1</sup> : Star  
 BRAND<sup>1</sup> : Star  
 COUNTRY OF ORIGIN<sup>1</sup> : Thailand  
 MODEL<sup>1</sup> : S-3304.3  
 BODY MARKINGS :   
 PERIOD OF TESTS : 14 Apr., 2019



<sup>1</sup> – Information provided by client

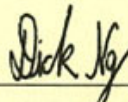
**RESULTS:** (apply only to the sample tested)

### SUMMARY OF RESULTS

Test	Remark
1 Operating force of flushing control	C

### I. OPERATING FORCE OF FLUSHING CONTROL BFA 2008 Cl. 50

Variable	Unit	Measured	Required	Remark
Operating Force	1st	20	≤ 22	C
	2nd	20		C
	3rd	21		C
Overall result				C

Date: 10 May, 2019 Authorized signature: 

**NG DICK TIK LUN**  
(Test Engineer)

**Nutek Systems is a testing agency,  
accepted by the Water Supplies  
Department, for testing water supply  
fittings.**

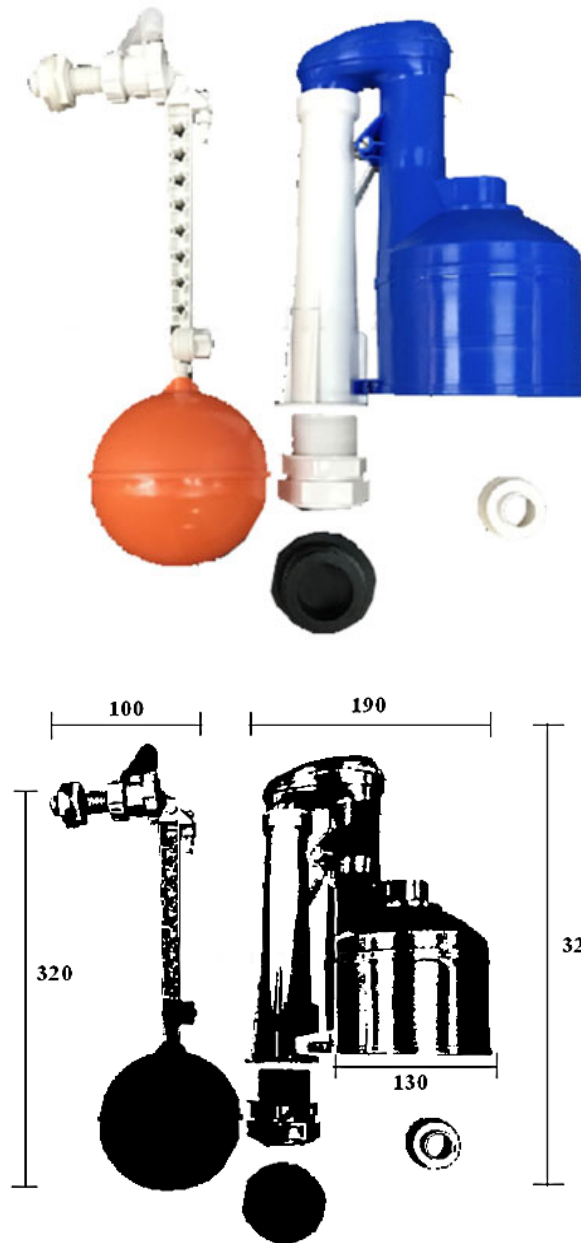


# Inlet valve

## SANITARY WARE SPECIFICATION SHEET

Model: 4079SI\*\*

Descriptions: Kims (PRC) Plastic side inlet valve (model no. C-3134) and 2-part round syphon valve (model no. B05-505)



\* All information of the above is for the reference only. No prior notice is made if any changes.



**Ka Shing Enterprise (H.K.) Ltd.**

ROOM 1706 NEW TERRITORIES TSUEN WAN HO LIK CENTRE, 66A SHA TSUI ROAD  
Tel: 26280661 Fax: 24902700  
Email: [project@kashinghk.com](mailto:project@kashinghk.com)  
Website: [www.kashinghk.com](http://www.kashinghk.com)

1 / Horace 26280661

[project@kashinghk.com](mailto:project@kashinghk.com)

<https://www.kashinghk.com/>



水務署  
Water Supplies Department

總部 Headquarters

香港灣仔告士打道七號入境事務大樓 48 樓

48/F, Immigration Tower, 7 Gloucester Road, Wan Chai, Hong Kong

本署檔號 : (2) in WSD 3321/2024 T/J(33/2024)  
Our ref.  
來函檔號 :  
Your ref.

電話 :  
Tel.  
傳真 : 2824 0578  
Fax.

19 March 2024



Approval of "KIMS" Float Operated Valve  
(General Acceptance No. C20240189F)

Your E-Application [file-id: ETJ-GA-20240103-197] dated 10 January 2024 and subsequent submissions received by this department up to 26 February 2024 refer.

Having considered the test report ref. J29493 issued on 3 January 2024 by Nutek Systems (HK) Limited, this Authority accepts that the fitting described below complies with, and its use when correctly installed does not contravene, the Waterworks Ordinance and Regulations.

**Name of Manufacturer:** Dongguan Xin Tian Plastic Products Co Ltd

**Country of Origin:** the Mainland of China

**Brand:** Kims

**Details of Fitting:** 1/2" Plastic float operated valve

**Model:** C-3134

**Body Markings:**



**Expiry Date:** 14 December 2028

**Proviso:** As the fitting has not been tested for use in contact with water intended for human consumption, the fitting can only be used in flushing water plumbing systems.

This Authority hereby permits the use of the above fitting in flushing water plumbing systems subject to full adherence to Waterworks installation requirements. In particular, you are required to draw your customers' attention to the following requirement-

"The flushing volume of the flushing valve should be adjusted to suit the design of the toilet bowl so that wastes can be cleared effectively by a single flush."

"The fitting should be used within the range of working pressures specified by the manufacturer." AND

"The installed fitting should not result in backflow of water that will contaminate the flushing water supply."

A condition of this acceptance is that the fitting to be installed shall be replicas of the sample as certified by the testing agent mentioned above and without modifications. This acceptance may be withdrawn at any time if the standard of the fitting installed fails to meet that of the approved sample or if the fitting is found to be unsuitable for use in flushing water plumbing systems.

For the use of the fitting in any project, the General Acceptance Number of this letter must be quoted as a means of identification of acceptance of the fitting by this Authority.

Should you have any enquiries, please contact our Engineer Mr Albert CHOW at tel. no. 3583 4086.

Yours faithfully,



(Terry KUNG)

for Director of Water Supplies

Encl.

c.c. WSD 3321/1/82 ] - without catalogue  
ME/MC ] - with soft copy only



水務署  
Water Supplies Department

總部 Headquarters

香港灣仔告士打道七號入境事務大樓 48 樓

48/F, Immigration Tower, 7 Gloucester Road, Wan Chai, Hong Kong

本署檔號 : (2) in WSD 3321/2021 T/J(312/2021)  
Our ref.  
來函檔號 :  
Your ref.

電話 :  
Tel.  
傳真 : 2824 0578  
Fax.

22 March 2021



Approval of "KIMS" Flush Valve  
(General Acceptance No. C20210297F)

Your letter ref. KS-11640 dated 6 February 2021 refers.

Having considered the test report ref. J25896 issued on 2 February 2021 by Nutek Systems (HK) Ltd., this Authority accepts that the fitting described below complies with, and its use when correctly installed does not contravene, the Waterworks Ordinance and Regulations.


**Name of Manufacturer:** Dongguan Xin Tian Plastic Products Co Ltd

**Country of Origin:** the Mainland of China

**Brand:** Kims

**Details of Fitting:** 1½" Plastic single flush valve

**Model:** B05-505

**Body Markings:** 

**Expiry Date:** 14 January 2026

**Proviso:** As the fitting has not been tested for use in contact with water intended for human consumption, the fitting can only be used in flushing water plumbing system.

This Authority hereby permits the use of the above fitting in flushing water plumbing systems subject to full adherence to Waterworks installation requirements. In particular, you are required to draw your customers' attention to the following requirement-

"The flushing volume of the flushing valve should be adjusted to suit the design of the toilet bowl so that wastes can be cleared effectively by a single flush."

"The fitting should be used within the range of working pressures specified by the manufacturer." AND

"The installed fitting should not result in backflow of water that will contaminate the flushing water supply."

A condition of this acceptance is that the fitting to be installed shall be replicas of the sample as certified by the testing agent mentioned above and without modifications. This acceptance may be withdrawn at any time if the standard of the fitting installed fails to meet that of the approved sample or if the fitting is found to be unsuitable for use in flushing water plumbing systems.

For the use of the fitting in any project, the General Acceptance Number of this letter must be quoted as a means of identification of acceptance of the fitting by this Authority.

Should you have any enquiries, please contact our Engineer Mr. Terry KUNG at tel. no. 3583 4086.

Yours faithfully,



(Roger WONG)

for Director of Water Supplies

Encl.

c.c.      WSD 3321/1/82    ] - without catalogue  
            ME/MC            ] - with soft copy only