

# Wash basin

*American Standard*

## SANITARY WARE SPECIFICATION SHEET

Model: TF0519

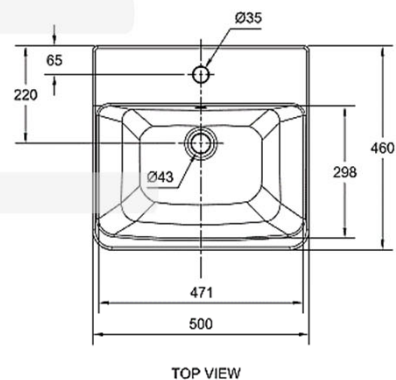
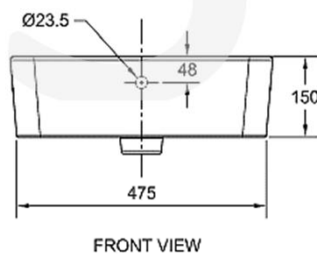
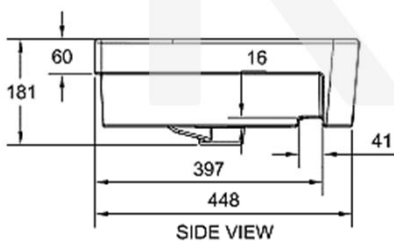
Descriptions: American Standard (Thailand) "Acacia Evolution" Vitreous china semi-countertop wash basin

Dimensions: L500 x W460 x H181 mm

Material : Vitreous China

Manufacturer: American Standard (Thailand)

Color : White



Note: Equivalent to CCASF519-1010411C0 / CP-F519.001

\* All information of the above is for the reference only. No prior notice is made if any changes.



**Ka Shing Enterprise (H.K.) Ltd.**

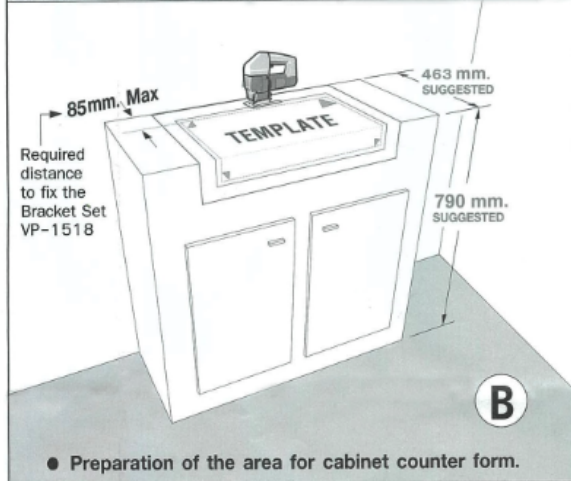
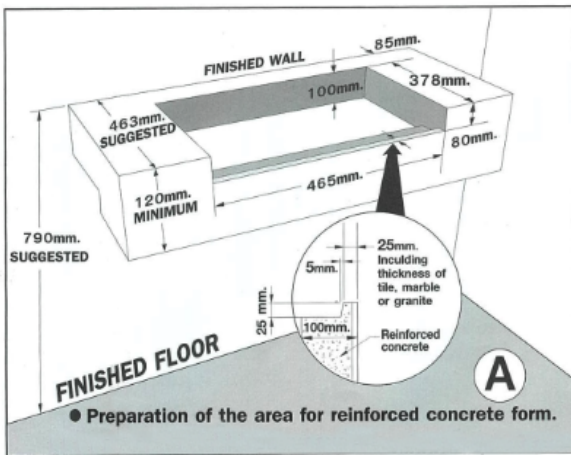
ROOM 1706 NEW TERRITORIES TSUEN WAN HO LIK CENTRE, 66A SHA TSUI ROAD  
Tel:26280661 Fax: 24902700  
Email: project@kashingehk.com  
Website: www.kashingehk.com

Ivan / Horace 26280661

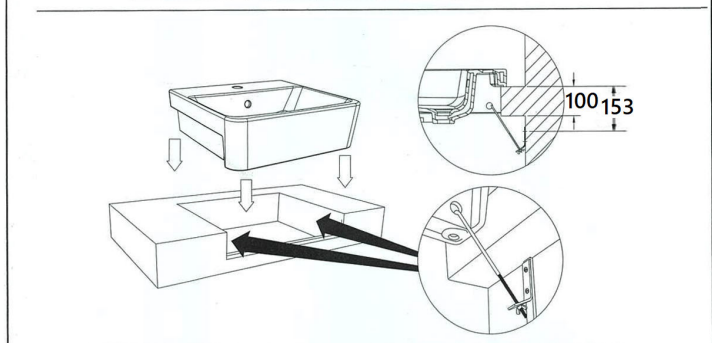
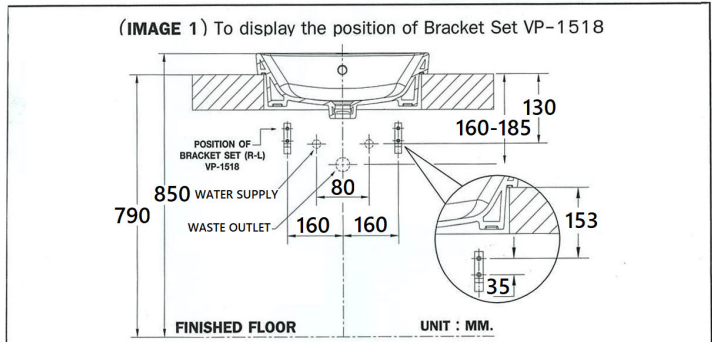
E/ project@kashingehk.com

W/ <https://www.kashingehk.com/>

### AREA PREPARATION FOR INSTALLATION.



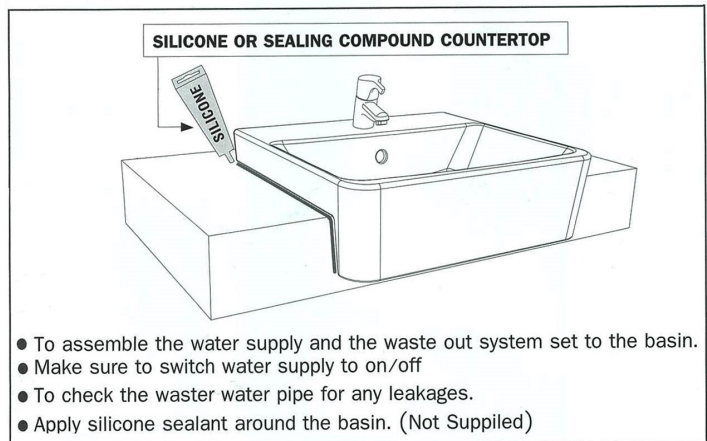
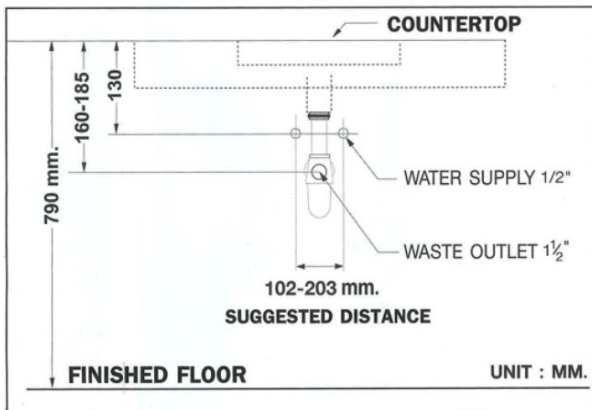
### THE PREPARATION TO INSTALL THE BRACKET SET VP-1518



(IMAGE 2) To display the installation of Bracket Set VP-1518

- Install the Bracket Set VP-1518 into a wall in a fix area.(IMAGE 1)
- Install the faucet, water supply hose and the drain into the basin.
- Put the basin on the counter in a fix position.
- To hitch a Bracket Set VP-1518 with the basin.(IMAGE 2)

### AREA PREPARATION FOR INSTALLATION OF THE WATER SUPPLY AND THE WASTE PIPE.



### REMARK :

THE BRACKET SET VP-1518 WAS PREPARED WITH THE PRODUCT.

