

# Urinal Sensor

**WALRUS®**

## SANITARY WARE SPECIFICATION SHEET

Model: 920330

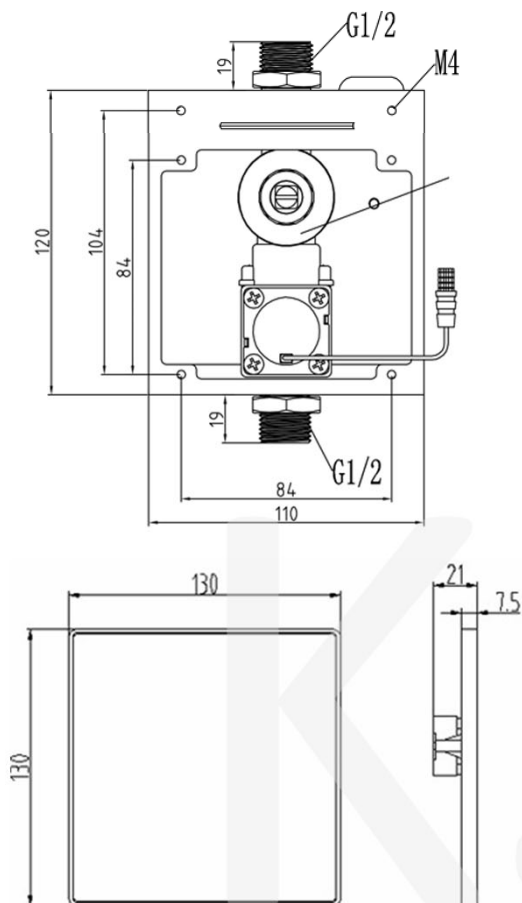
Descriptions: Walrus (PRC) Concealed urinal sensor for sea water ; battery operated; 1.5 litres/cycle in WELS Grade 1 ; Registration No. 1U 24-0004

Dimensions: W130 x D130 mm

Material : Glass

Manufacturer: Walrus (PRC)

Color: Black



\* All information of the above is for the reference only. No prior notice is made if any changes.



**Ka Shing Enterprise (H.K.) Ltd.**

ROOM 1706 NEW TERRITORIES TSUEN WAN HO LIK CENTRE, 66A SHA TSUI ROAD  
Tel: 26280661 Fax: 24902700  
Email: [project@kashingehk.com](mailto:project@kashingehk.com)  
Website: [www.kashingehk.com](http://www.kashingehk.com)

Ivan / Horace 26280661

E/ [project@kashingehk.com](mailto:project@kashingehk.com)

W/ [https://www.kashingehk.com/](http://www.kashingehk.com/)