

SANITARY WARE SPECIFICATION SHEET

Model: DIS008A (Bowl)

6146-BIBO-S (Cistern)

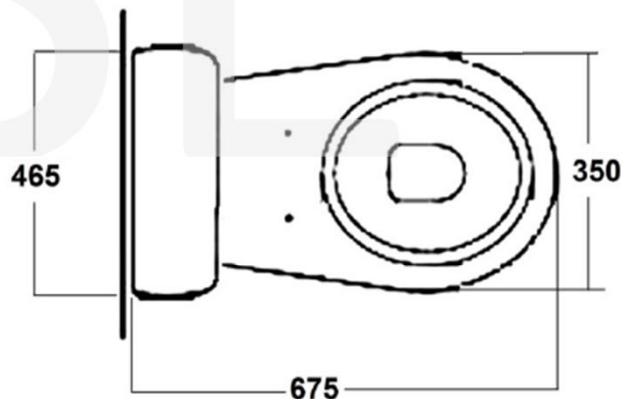
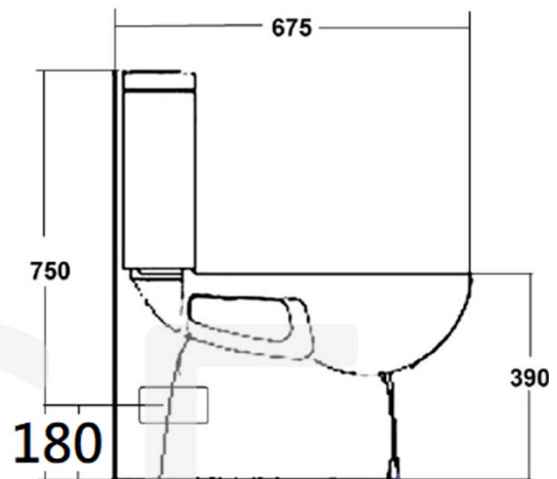
Descriptions: Rene (PRC) Vitreous china close-coupled horizontal outlet watercloset and tank with chrome plated easy grip (large) lever* (For disabled) Operating force of flushing control less than 22N ; test report RDCA010C ; complied with Barrier Free Access 2008 ; 6 LPF in WELS Grade 3; Registration No.: WC 20-0096

Dimensions: L675 x W465 x H750 mm

Material : Vitreous China

Manufacturer: Rene (PRC)

Outlet : White



* All information of the above is for the reference only. No prior notice is made if any changes.



Ka Shing Enterprise (H.K.) Ltd.

ROOM 1706 NEW TERRITORIES TSUEN WAN HO LIK CENTRE, 66A SHA TSUI ROAD
Tel:26280661 Fax: 24902700
Email: project@kashingehk.com
Website: www.kashingehk.com

Ivan / Horace 26280661

E/ project@kashingehk.com

W/ <https://www.kashingehk.com/>



IDEAL Test Consultants Ltd.
亞典測試顧問有限公司

Unit 18, 8/F., World-Wide Industrial Ctn,
 43 - 47 Shan Mei Street,
 Fo Tan, N.T. H.K..
 Tel: 3702 1986 Fax: 3702 1987
 Email: sunny@idealtest.com.hk

TEST REPORT

REPORT REFERENCE NO. : **RDCA010C**
 TITLE : Testing of water closet pan & cistern
 METHOD OF TEST : Operating lever and pull test
 PERIOD OF TESTS : 19th Jun., 2020
 SAMPLE SUBMITTED BY :
 (Information below provided by client)

DESCRIPTION OF SAMPLE : Closed coupled WC suite

| Sample | WC pan & Cistern | Single flush valve |
|--------------|-------------------------------------|---|
| Brand | RENÉ | RENÉ |
| Model | 008P & 6146 | A306 |
| Manufacturer | Konna Sanitary Technology Co., Ltd. | Compas (Xiamen) Plumbing Technology Co., Ltd. |
| Origin | China | China |
| Body marking | NIL & RENÉ | NIL |



RESULTS: - (apply only to the sample tested)

1. LEVER ARM PULL TEST

| Sample | Dead load (N) | Duration (s) | Remark |
|-------------|---------------|--------------|--------|
| | 22 | 30 | Pass |
| Requirement | 22 | ≥ 30 | / |

Note : no permanent distortion of the flushing apparatus when the lever is operated.

2. SUMMARY OF RESULTS

Lever arm pull test - Satisfactory

Date : 26 Aug 2020

Authorized signature :


Sunny K.S. Wong
 (Director)

- End of report -

Page 1 of 1



Ka Shing Enterprise (H.K.) Ltd.

ROOM 1706 NEW TERRITORIES TSUEN WAN HO LIK CENTRE, 66A SHA TSUI ROAD
 Tel: 26280661 Fax: 24902700
 Email: project@kashingehk.com
 Website: www.kashingehk.com

Ivan / Horace 26280661

E/ project@kashingehk.com

W/ https://www.kashingehk.com/



自願參與用水效益標籤計劃 - 水廁
Voluntary Water Efficiency Labelling Scheme - Water Closets

Certificate of Registration
註冊證書

茲證明
This is to certify that

將下列水廁在本計劃內註冊：
has registered the following water closet under this scheme :

牌 子 / Brand : RENÉ
型 號 / Model : 008P/6146 + A306
種 類 / Category : Close-coupled Suite
原 產 地 / Country or Region Origin : China (WC Pan, Cistern & Flushing Valve)

在用水效益標籤上展示的標誌
Symbolic Presentation on the Water Efficiency Label :  滴水點 *Water droplet(s)*
用水效益級別
Water Efficiency Grade : 3
全沖水量
Water Flush Volume (Full) : 6.0 公升/沖廁 *litres/flush*
低沖水量
Water Flush Volume (Reduced) : N/A 公升/沖廁 *litres/flush*

簽發日期：
Date of Issue: 24 July 2020



水務署署長(張業駒代行)
for Director of Water Supplies

+ 上述水廁具額外節水功能，即：重用洗盥水作沖廁用途。
The above water closet is equipped with additional water saving feature, that is: re-use the water collected from wash basin for flushing purpose.



Ka Shing Enterprise (H.K.) Ltd.

ROOM 1706 NEW TERRITORIES TSUEN WAN HO LIK CENTRE, 66A SHA TSUI ROAD
Tel: 26280661 Fax: 24902700
Email: project@kashingehk.com
Website: www.kashingehk.com

Ivan / Horace 26280661

E/ project@kashingehk.com

W/ https://www.kashingehk.com/



水務署
Water Supplies Department

總部 Headquarters
香港灣仔告士打道七號入境事務大樓 48 樓
48/F, Immigration Tower, 7 Gloucester Road, Wan Chai, Hong Kong

本署檔號 : (6) in WSD 3321/2022 T/J(436/2022)
Our ref.
來函檔號 :
Your ref.

電話 :
Tel.
傳真 : 2824 0578
Fax.

21 July 2022

Dear Sir,

**Approval of "RENÉ" Flush Valve
(General Acceptance No. C20220678F)**

Your letter ref. DR/WSD/TT/L/22/4/28 dated 25 April 2022 and subsequent submissions received by this department up to 29 June 2022 refer.

Having considered the test report ref. RDCA046r1 issued on 17 June 2022 by Ideal Test Consultants Ltd., this Authority accepts that the fitting described below complies with, and its use when correctly installed does not contravene, the Waterworks Ordinance and Regulations.

Name of Manufacturer: Dreyer
Country of Origin: the Mainland of China
Brand: RENÉ
Details of Fitting: 1½" Plastic single flush valve
Model: A306
Body Markings: Nil
Expiry Date: 18 April 2027



Ka Shing Enterprise (H.K.) Ltd.

ROOM 1706 NEW TERRITORIES TSUEN WAN HO LIK CENTRE, 66A SHA TSUI ROAD
Tel: 26280661 Fax: 24902700
Email: project@kashingehk.com
Website: www.kashingehk.com

Ivan / Horace 26280661

E/ project@kashingehk.com

W/ <https://www.kashingehk.com/>

Proviso: As the fitting has not been tested for use in contact with water intended for human consumption, the fitting can only be used in flushing water plumbing system.

This Authority hereby permits the use of the above fitting in flushing water plumbing systems subject to full adherence to Waterworks installation requirements. In particular, you are required to draw your customers' attention to the following requirement-

"The flushing volume of the flushing valve should be adjusted to suit the design of the toilet bowl so that wastes can be cleared effectively by a single flush."

"The fitting should be used within the range of working pressures specified by the manufacturer." AND

"The installed fitting should not result in backflow of water that will contaminate the flushing water supply."

A condition of this acceptance is that the fitting to be installed shall be replicas of the sample as certified by the testing agent mentioned above and without modifications. This acceptance may be withdrawn at any time if the standard of the fitting installed fails to meet that of the approved sample or if the fitting is found to be unsuitable for use in flushing water plumbing systems.

For the use of the fitting in any project, the General Acceptance Number of this letter must be quoted as a means of identification of acceptance of the fitting by this Authority.

Should you have any enquiries, please contact our Engineer Ms Winnie LO at tel. no. 3583 4086.

Yours faithfully,



(YAU Hau Yin)
for Director of Water Supplies

Encl.

c.c. WSD 3321/1/82] - without catalogue
ME/MC] - with soft copy only

General Acceptance No. C20220678F



Ka Shing Enterprise (H.K.) Ltd.

ROOM 1706 NEW TERRITORIES TSUEN WAN HO LIK CENTRE, 66A SHA TSUI ROAD
Tel:26280661 Fax: 24902700
Email: project@kashingehk.com
Website: www.kashingehk.com

Ivan / Horace 26280661

E/ project@kashingehk.com

W/ <https://www.kashingehk.com/>



水務署
Water Supplies Department

總部 Headquarters

香港灣仔告士打道七號入境事務大樓 48 樓

48/F, Immigration Tower, 7 Gloucester Road, Wan Chai, Hong Kong

本署檔號 : (2) in WSD 3321/2020 T/J(997/2020)
Our ref.
來函檔號 :
Your ref.

電話 :
Tel.
傳真 : 2824 0578
Fax.

17 September 2020

Dear Sir,

Approval of "RENÉ" Float Operated Valve
(General Acceptance No. C20200819F)

Your letter ref. DR/WSD/TT/L/20/8/14 dated 10 August 2020 refers.

Having considered the test report ref. RDCA021 issued on 6 August 2020 by Ideal Test Consultants Ltd., this Authority accepts that the fitting described below complies with, and its use when correctly installed does not contravene, the Waterworks Ordinance and Regulations.

Name of Manufacturer: Compas (Xiamen) Plumbing Technology Co Ltd
Country of Origin: the Mainland of China
Brand: RENÉ
Details of Fitting: 1/2" Plastic float operated valve
Model: A1014
Body Markings: Nil
Expiry Date: 3 August 2025



Ka Shing Enterprise (H.K.) Ltd.

ROOM 1706 NEW TERRITORIES TSUEN WAN HO LIK CENTRE, 66A SHA TSUI ROAD
Tel: 26280661 Fax: 24902700
Email: project@kashingehk.com
Website: www.kashingehk.com

Ivan / Horace 26280661

E/ project@kashingehk.com

W/ <https://www.kashingehk.com/>

Proviso: As the fitting has not been tested for use in contact with water intended for human consumption, the fitting can only be used in flushing water plumbing system.

This Authority hereby permits the use of the above fitting in flushing water plumbing systems subject to full adherence to Waterworks installation requirements. In particular, you are required to draw your customers' attention to the following requirement-

"The flushing volume of the flushing valve should be adjusted to suit the design of the toilet bowl so that wastes can be cleared effectively by a single flush."

"The fitting should be used within the range of working pressures specified by the manufacturer." AND

"The installed fitting should not result in backflow of water that will contaminate the flushing water supply."

A condition of this acceptance is that the fitting to be installed shall be replicas of the sample as certified by the testing agent mentioned above and without modifications. This acceptance may be withdrawn at any time if the standard of the fitting installed fails to meet that of the approved sample or if the fitting is found to be unsuitable for use in flushing water plumbing systems.

For the use of the fitting in any project, the General Acceptance Number of this letter must be quoted as a means of identification of acceptance of the fitting by this Authority.

Should you have any enquiries, please contact our Engineer Mr. Terry KUNG at tel. no. 3583 4086.

Yours faithfully,



(CHAN Chung-kun)

for Director of Water Supplies

Encl.

c.c. WSD 3321/1/82] - without catalogue
ME/MC] - with soft copy only

General Acceptance No. C20200819F



Ka Shing Enterprise (H.K.) Ltd.

ROOM 1706 NEW TERRITORIES TSUEN WAN HO LIK CENTRE, 66A SHA TSUI ROAD
Tel:26280661 Fax: 24902700
Email: project@kashingehk.com
Website: www.kashingehk.com

Ivan / Horace 26280661

E/ project@kashingehk.com

W/ <https://www.kashingehk.com/>