

SANITARY WARE SPECIFICATION SHEET

Model: 115.890.SN.6 (Actuator) 115.861.00.6 (Control box)
224.320.00.1 (Cistern)

Descriptions: Geberit (PRC) "Duofix II" Concealed cistern for back-to-wall toilet without angle valve; with "Sigma10" WC dual flush control in 230V AC supply and 12V control box for automatic WC flush control; nominated flow rate 3.2/5.9 LPF in WELS Grade 2; Registration No. WC 21-010

Manufacturer: GEBERIT (PRC) Material: Polished / Plastic



* All information of the above is for the reference only. No prior notice is made if any changes.



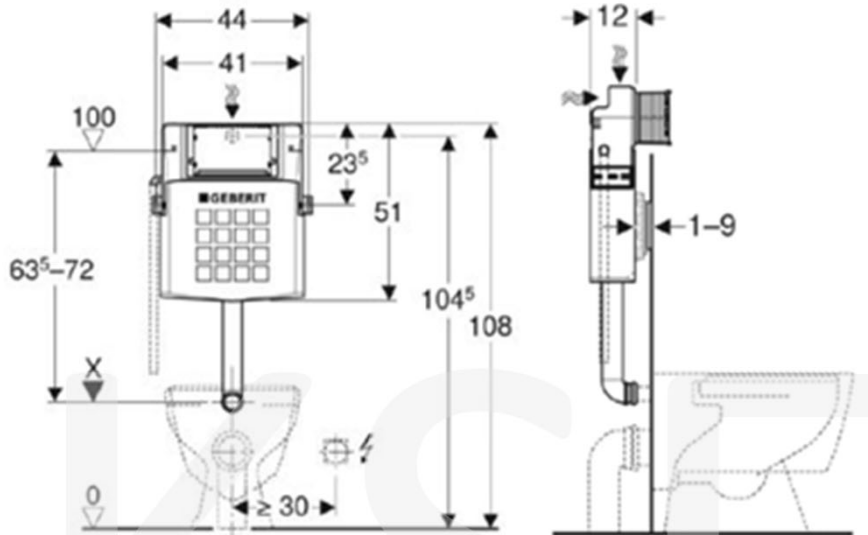
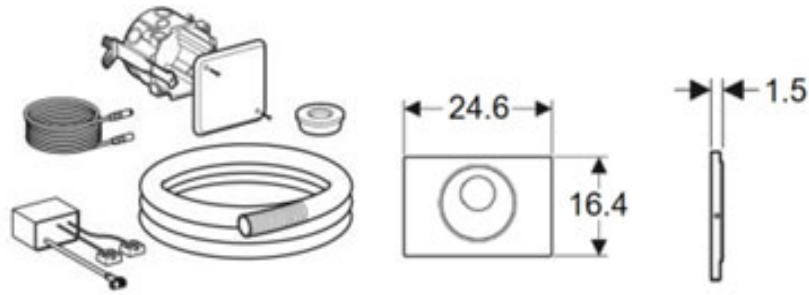
Ka Shing Enterprise (H.K.) Ltd.

ROOM 1706 NEW TERRITORIES TSUEN WAN HO LIK CENTRE, 66A SHA TSUI ROAD
Tel: 26280661 Fax: 24902700
Email: project@kashingehk.com
Website: www.kashingehk.com

Ivan / Horace 26280661

E/ project@kashingehk.com

W/ <https://www.kashingehk.com/>



- Concealed cistern with front actuation
- Concealed cistern, fully insulated against condensation
- Immediate post flush possible with factory setting
- With external overflow
- Water supply connection on the rear or top centre
- Touchless manual flush actuation
- Automatic flush actuation
- Touchless flush actuation for single or dual flush by moving hand toward sensor
- Manual flush actuation via actuator plate
- Flush actuation possible via external push-button
- Screwable actuator plate
- Power supply via external power supply unit
- Transformation of mains voltage to extra-low voltage, 12 V DC
- Operation with extra-low voltage, no mains voltage in cistern
- With push-fit connection with cross-polarity protection
- Infrared user detection with background fade-out
- Self-adjusting IR sensor
- Reliable IR distance detection
- Interval flush preset
- Adjustable interval flush
- Preflush can be set
- Minimum detection time can be set
- Device settings and operation with mobile device via integrated Bluetooth® interface
- Compatible with Geberit Control App
- Wired networkable with Geberit gateway via GEBUS converter
- Wirelessly connectable with Geberit Gateway via Bluetooth®
- Compatible with Geberit Connect
- Compatible with Geberit Service Handy
- Flush actuation can be deactivated
- Low-noise lifting mechanism
- Electrical lifting device, self-calibrating
- Vandal-resistant
- Easy maintenance and cleaning



Ka Shing Enterprise (H.K.) Ltd.

ROOM 1706 NEW TERRITORIES TSUEN WAN HO LIK CENTRE, 66A SHA TSUI ROAD
 Tel:26280661 Fax: 24902700
 Email: project@kashingehk.com
 Website: www.kashingehk.com

Ivan / Horace 26280661

E/ project@kashingehk.com

W/ https://www.kashingehk.com/



自願參與用水效益標籤計劃 - 水廁
Voluntary Water Efficiency Labelling Scheme - Water Closets



Certificate of Registration


註冊證書

茲證明

This is to certify that

將下列水廁在本計劃內註冊：
has registered the following water closet under this scheme :

牌子 / Brand	: Geberit
型號 / Model	: 224.320.00.1 + 887.839.00.0
種類 / Category	: Water Closet Cistern
原產地 / Country or Region Origin	: China (WC Cistern) Germany (Flushing Valve)

在用水效益標籤上展示的標誌 <i>Symbolic Presentation on the Water Efficiency Label</i>	:  滴水點 <i>Water droplet(s)</i>
用水效益級別 <i>Water Efficiency Grade</i>	: 2
全沖水量 <i>Water Flush Volume (Full)</i>	: 5.9 公升/沖廁 <i>litres/flush</i>
低沖水量 <i>Water Flush Volume (Reduced)</i>	: 3.2 公升/沖廁 <i>litres/flush</i>

簽發日期：
Date of Issue: 15 March 2021



水務署署長(張業駒代行)
for Director of Water Supplies

· 上述水廁具額外節水功能，即：重用洗廁水作沖廁用途。
The above water closet is equipped with additional water saving feature, that is, re-use the water collected from wash basin for flushing purpose.



水務署
Water Supplies Department

總部 Headquarters

香港灣仔告士打道七號入境事務大樓 48 樓

48/F, Immigration Tower, 7 Gloucester Road, Wan Chai, Hong Kong

本署檔號 : (4) in WSD 3321/2020 T/J(1388/2020)
Our ref.
來函檔號 :
Your ref.

電話 :
Tel.
傳真 : 2824 0578
Fax.

29 December 2020



Approval of "GEBERIT" Flush Valve
(General Acceptance No. C20201184F)

Your letter ref. GHK/GA/887.839.00.0 dated 27 October 2020 and subsequent submission received by this department on 4 December 2020 refer.

Having considered the test report ref. RGSE024 issued on 20 October 2020 by Ideal Test Consultants Ltd., this Authority accepts that the fitting described below complies with, and its use when correctly installed does not contravene, the Waterworks Ordinance and Regulations.

Name of Manufacturer: Geberit
Country of Origin: Germany
Brand: Geberit
Details of Fittings: 2" Plastic dual flush valve
Model: 887.839.00.0
Body Markings:  **GEBERIT**
Expiry Date: 23 August 2025



Proviso: As the fitting has not been tested for use in contact with water intended for human consumption, the fitting can only be used in flushing water plumbing system.

This Authority hereby permits the use of the above fitting in flushing water plumbing systems subject to full adherence to Waterworks installation requirements. In particular, you are required to draw your customers' attention to the following requirement-

"The flushing volume of the flushing valve should be adjusted to suit the design of the toilet bowl so that wastes can be cleared effectively by a single flush."

"The fitting should be used within the range of working pressures specified by the manufacturer." AND

"The installed fitting should not result in backflow of water that will contaminate the flushing water supply."

A condition of this acceptance is that the fitting to be installed shall be replicas of the sample as certified by the testing agent mentioned above and without modifications. This acceptance may be withdrawn at any time if the standard of the fitting installed fails to meet that of the approved sample or if the fitting is found to be unsuitable for use in flushing water plumbing systems.

For the use of the fitting in any project, the General Acceptance Number of this letter must be quoted as a means of identification of acceptance of the fitting by this Authority.

Should you have any enquiries, please contact our Engineer Mr. Terry KUNG at tel. no. 3583 4086.

Yours faithfully,



(CHAN Chung-kun)

for Director of Water Supplies

Encl.

c.c. WSD 3321/1/82] - without catalogue
ME/MC] - with soft copy only



水務署
Water Supplies Department

總部 Headquarters

香港灣仔告士打道七號入境事務大樓 48 樓

48/F, Immigration Tower, 7 Gloucester Road, Wan Chai, Hong Kong

本署檔號 : (4) in WSD 3321/2020 T/J(256/2020)
Our ref.
來函檔號 :
Your ref.

電話 :
Tel.
傳真 : 2824 0578
Fax.



4 June 2020

**Approval of “GEBERIT” Float Operated Valve
(General Acceptance No. C20200402F)**

Your letters ref. GHK/GA/170.417.00.1 and GHK/GA/170.417.00.1-r1 dated 11 March 2020 and 8 May 2020 respectively refer.

Having considered the test report ref. RGSE005r1 issued on 29 April 2020 by Ideal Test Consultants Ltd., this Authority accepts that the fitting described below complies with, and its use when correctly installed does not contravene, the Waterworks Ordinance and Regulations.

Name of Manufacturer: Geberit
Country of Origin: the Mainland of China
Brand: Geberit
Details of Fitting: 1" Plastic float operated valve
Model: 170.417.00.1
Body Markings: ■ **GEBERIT**
Expiry Date: 4 March 2025



Proviso: As the fitting has not been tested for use in contact with water intended for human consumption, the fitting can only be used in flushing water plumbing system.

This Authority hereby permits the use of the above fitting in flushing water plumbing systems subject to full adherence to Waterworks installation requirements. In particular, you are required to draw your customers' attention to the following requirement-

"The flushing volume of the flushing valve should be adjusted to suit the design of the toilet bowl so that wastes can be cleared effectively by a single flush."

"The fitting should be used within the range of working pressures specified by the manufacturer." AND

"The installed fitting should not result in backflow of water that will contaminate the flushing water supply."

A condition of this acceptance is that the fitting to be installed shall be replicas of the sample as certified by the testing agent mentioned above and without modifications. This acceptance may be withdrawn at any time if the standard of the fitting installed fails to meet that of the approved sample or if the fitting is found to be unsuitable for use in flushing water plumbing systems.

For the use of the fitting in any project, the General Acceptance Number of this letter must be quoted as a means of identification of acceptance of the fitting by this Authority.

Should you have any enquiries, please contact our Engineer Mr. Terry KUNG at tel. no. 3583 4086.

Yours faithfully,



(CHAN Chung-kun)

for Director of Water Supplies

Encl.

c.c. WSD 3321/1/82] - without catalogue
ME/MC] - with soft copy only