

Hand Dryer

CASATINO

SANITARY WARE SPECIFICATION SHEET

Model: KSE0508.400

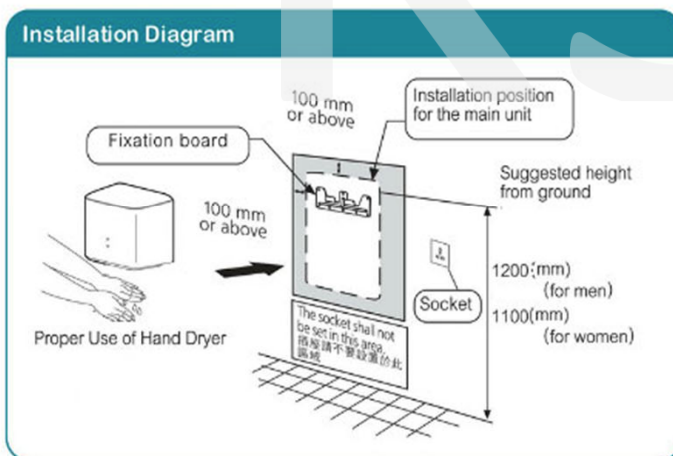
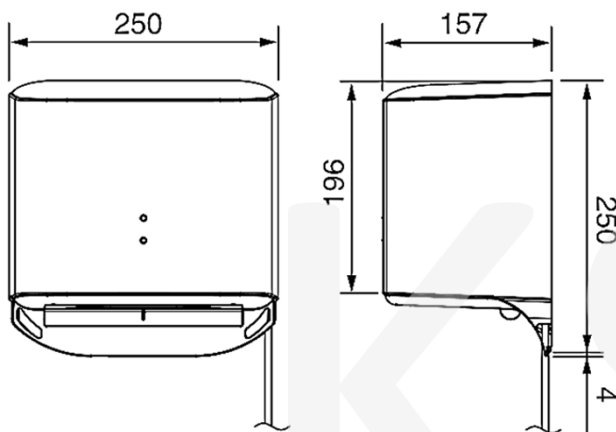
Descriptions: Casatino (PRC) automatic switch hand dryer, 220V, infra-red motion

Dimensions: L158 x W250 x H250mm

Finish: Plastic

Manufacturer: CASATINO (PRC)

Color: White



| | |
|-----------------------------|--------------------------------|
| Voltage 電壓 | 220V 50Hz |
| Heater Type 發熱器類型 | PTC 370W |
| Air Velocity 風速 (m/s) | 90-110 |
| Power Consumption 電力消耗 (W) | 1,020 |
| Drain Pan 水箱 | - |
| Filter 過濾網 | Super Alleru-Buster 超級抗敏過濾網 |
| Anti-bacteria Material 防菌物料 | ✓ |
| Heater Switch 發熱器開關掣 | ✓ |
| Net Weight 淨重 | 3.5kg |

* All information of the above is for the reference only. No prior notice is made if any changes.



Ka Shing Enterprise (H.K.) Ltd.

ROOM 1706 NEW TERRITORIES TSUEN WAN HO LIK CENTRE, 66A SHA TSUI ROAD
Tel:26280661 Fax: 24902700
Email: project@kashingehk.com
Website: www.kashingehk.com

Ivan / Horace 26280661

E/ project@kashingehk.com

W/ <https://www.kashingehk.com/>