

## SANITARY WARE SPECIFICATION SHEET

Model: KSE0227.200

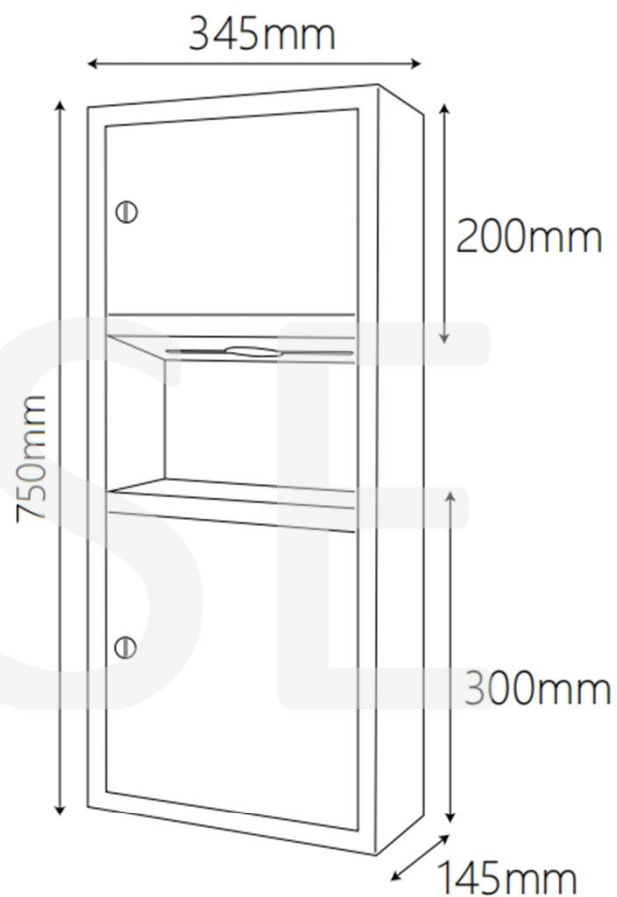
Descriptions: Casatino (PRC) Surface mounted paper towel dispenser and waste receptacle  
**Capacity: 2.1-gal. (8-L)**

Dimensions: L145 x W345 x H750 mm

Finish: Stainless Steel

Manufacturer: CASATINO (PRC)

Color: Satin



\* All information of the above is for the reference only. No prior notice is made if any changes.



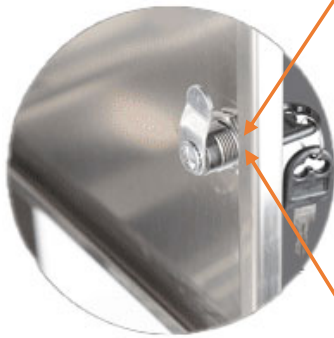
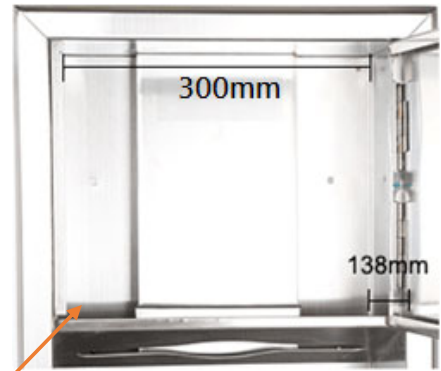
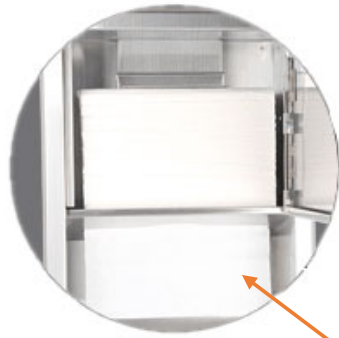
**Ka Shing Enterprise (H.K.) Ltd.**

ROOM 1706 NEW TERRITORIES TSUEN WAN HO LIK CENTRE, 66A SHA TSUI ROAD  
Tel:26280661 Fax: 24902700  
Email: project@kashingehk.com  
Website: www.kashingehk.com

Ivan / Horace 26280661

E/ project@kashingehk.com

W/ <https://www.kashingehk.com/>



## Ka Shing Enterprise (H.K.) Ltd.

ROOM 1706 NEW TERRITORIES TSUEN WAN HO LIK CENTRE, 66A SHA TSUI ROAD  
Tel:26280661 Fax: 24902700  
Email: project@kashinghk.com  
Website: www.kashinghk.com

Ivan / Horace 26280661

E/ project@kashinghk.com

W/ <https://www.kashinghk.com/>



#### MATERIALS:

Cabinet — , Type-304, (0.8mm) stainless steel. All-welded construction. Exposed surfaces have satin finish.

Flange — , Type-304, (0.8mm) stainless steel with satin finish. Drawn and beveled, one piece, seamless construction.

Door — , Type-304,(0.8mm) stainless steel with satin finish. Secured to cabinet with a full length stainless steel piano-hinge. Equipped with a knob latch.

Paper Towel Dispenser — 1, Type-304,(0.8mm) stainless steel with satin finish. Capacity: 350 C-fold or 475 multifold paper towels.

#### TowelMate

accessor yallows for paper towels to dispense one at time without bulging or sagging, or falling through

the towel tray opening. The 90 degree return on the towel guide prevents papers from falling for ward and out when door is opened for ser vicing.

Waste Receptacle — , Type-304, Heavy-gauge stainless steel with satin finish.

Top edges are hemmed for safe handling.

Capacity: 2.1-gal. (8-L).

#### OPERATION:

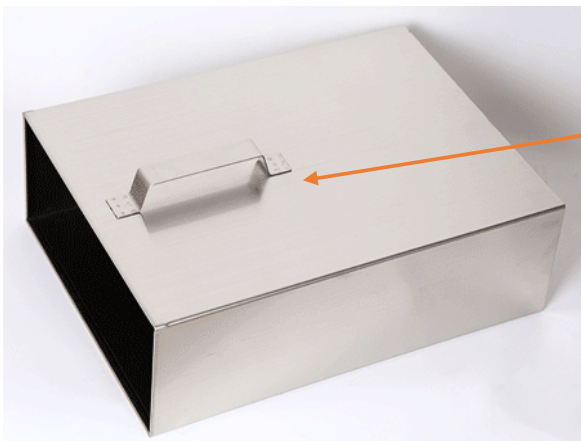
Paper towel dispenser will dispense C-fold or multifold paper towels without adjustment.

Rounded towel

tray has hemmed opening to dispense paper towels without tearing.

Waste receptacle is retained in cabinet

by a retaining hook feature and is removable for ser vicing.



## Ka Shing Enterprise (H.K.) Ltd.

ROOM 1706 NEW TERRITORIES TSUEN WAN HO LIK CENTRE, 66A SHA TSUI ROAD  
Tel:26280661 Fax: 24902700  
Email: project@kashinghk.com  
Website: www.kashinghk.com

Ivan / Horace 26280661

E/ project@kashinghk.com

W/ <https://www.kashinghk.com/>