

Shower holder and Grip Grab Rail



SANITARY WARE SPECIFICATION SHEET

Model: S-8810-24 (Shower grab rail)
KSE8013.040 (Shower holder)
8573C (Hand Shower)
BL-39B (Flexible hose)

Descriptions: SODUN (PRC) Ø35 x 600mm long white ABS coated aluminium grip grab rail with shower holder ; BS12:1978 & BS882:1973 ; capable of carrying a static loading test 150kg ; test report PHY200012(2) ; complied with Barrier Free Access 2008 ; with 3 functions hand spray ; nominated flow rate 8.2 L/min in WELS Grade 1; Registration No. SB 19-0007 ; and 1750mm flexible hose

Dimensions: Refer to drawing Material : ABS Coated Aluminum
Manufacturer: SODUN (PRC) / KITA (PRC) Color : White



* All information of the above is for the reference only. No prior notice is made if any changes.



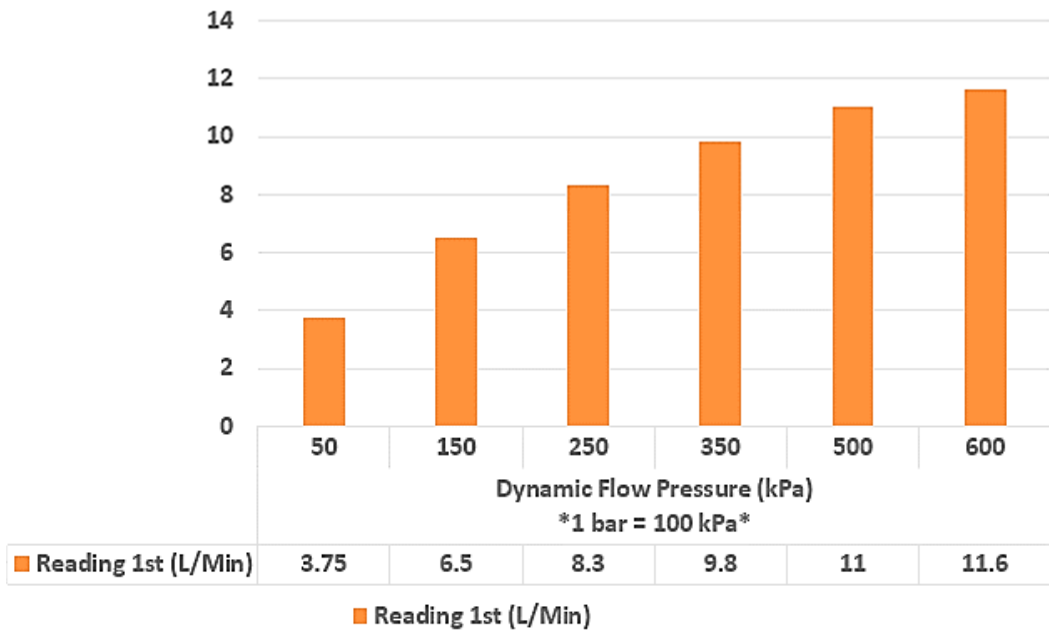
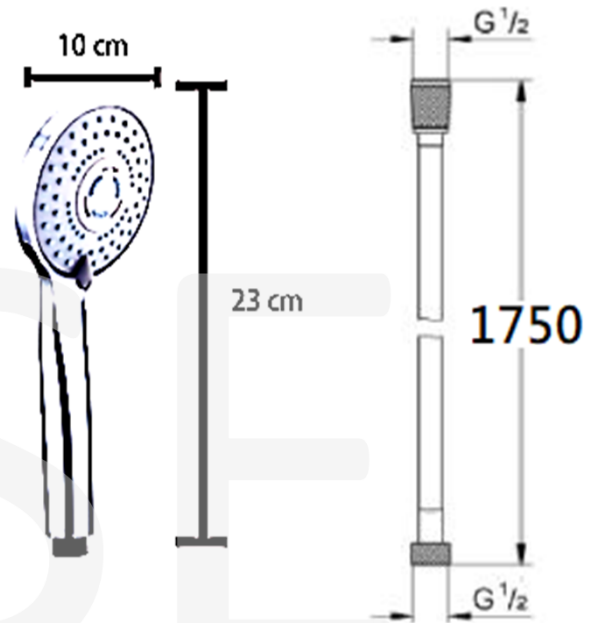
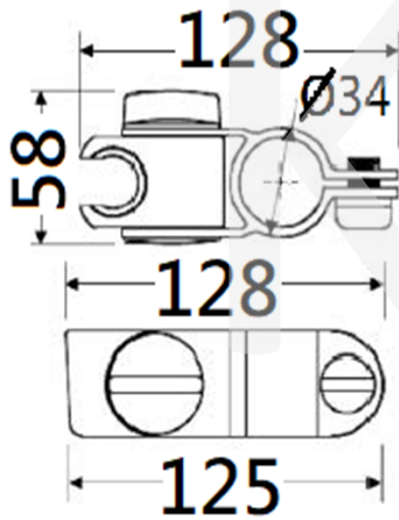
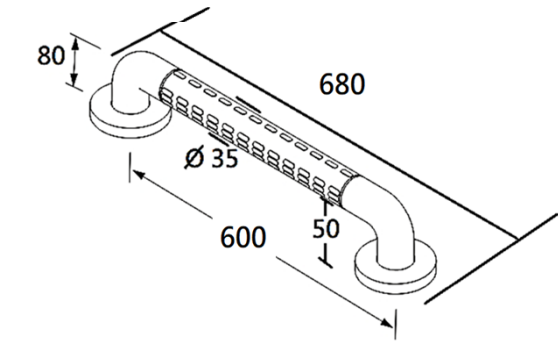
Ka Shing Enterprise (H.K.) Ltd.

ROOM 1706 NEW TERRITORIES TSUEN WAN HO LIK CENTRE, 66A SHA TSUI ROAD
Tel:26280661 Fax: 24902700
Email: project@kashingehk.com
Website: www.kashingehk.com

Ivan / Horace 26280661

E/ project@kashingehk.com

W/ <https://www.kashingehk.com/>



Ka Shing Enterprise (H.K.) Ltd.

ROOM 1706 NEW TERRITORIES TSUEN WAN HO LIK CENTRE, 66A SHA TSUI ROAD
 Tel: 26280661 Fax: 24902700
 Email: project@kashingehk.com
 Website: www.kashingehk.com

Ivan / Horace 26280661

E/ project@kashingehk.com

W/ <https://www.kashingehk.com/>



自願參與用水效益標籤計劃 - 沐浴花灑
Voluntary Water Efficiency Labelling Scheme - Showers for Bathing

Certificate of Registration


註冊證書



茲證明
This is to certify that

將下列花灑在本計劃內註冊：
has registered the following shower under this scheme :

牌子 / Brand	:	KITA
型號 / Model	:	8573C
原產地 / Country or Region Origin	:	China

在用水效益標籤上展示的標誌 <i>Symbolic Presentation on the Water Efficiency Label</i>	:		滴水點 <i>Water droplet(s)</i>
用水效益級別 <i>Water Efficiency Grade</i>	:	1	
耗水量 <i>Water Consumption</i>	:	8.2	公升/分鐘 <i>litres/minute</i>

簽發日期:
Date of Issue: 22 March 2019



水務署署長(張業駒代行)
for Director of Water Supplies



Ka Shing Enterprise (H.K.) Ltd.

ROOM 1706 NEW TERRITORIES TSUEN WAN HO LIK CENTRE, 66A SHA TSUI ROAD
Tel:26280661 Fax: 24902700
Email: project@kashingehk.com
Website: www.kashingehk.com

Ivan / Horace 26280661
E/ project@kashingehk.com
W/ https://www.kashingehk.com/



AA Lab Ltd.

Flat I, 5/F, Fu Cheung Centre,
5-7 Wong Chuk Yeung Street,
Fotan, New Territories,
HONG KONG

Tel: (852) 37050140; Fax: (852) 37050141
www.aalab.com.hk

Client Ref. : --

Page 1 of 2

Report No. : PHY200012(2)

REPORT ON LOADING TEST OF GRAB BAR

Information Supplied by Client

Client : Ka Shing Enterprises (H.K.) Limited
Project : Loading test of grab bar - 150kg
Sample Description : 24 Inch of length grab handle
Model No. : S-8810-24

Laboratory Information

Lab. Sample I.D. : PHY200012/3
Date Received : 7/5/2020
Date Test Started : 11/5/2020
Date Test Completed : 11/5/2020
Test Method : General Specification 2013 Section 14 Ironmongery Clause 14.07(2)

Test Results

Lab Sample ID	Test Load (kg)	Duration (minute)	Visual damage (e.g. breakage, significant permanent deformation, etc)	Result
PHY200012/3	150	5	No visual damage	Pass

Test description: The grab handle was mounted on a concrete wall. A test load was applied vertically to the mid point of the handle for 5 minute which was then examined for any signs of damage.

Remarks : 1.) The test results relate only to the samples tested.



Checked by : M.C. Lam Date : 2/6/2020 Certified by : igor Date : 2/6/2020
Cheung Chi Ho, Igor
Dept. Head (Physical Testing)



Ka Shing Enterprise (H.K.) Ltd.

ROOM 1706 NEW TERRITORIES TSUEN WAN HO LIK CENTRE, 66A SHA TSUI ROAD
Tel: 26280661 Fax: 24902700
Email: project@kashingehk.com
Website: www.kashingehk.com

Ivan / Horace 26280661

E/ project@kashingehk.com

W/ <https://www.kashingehk.com/>



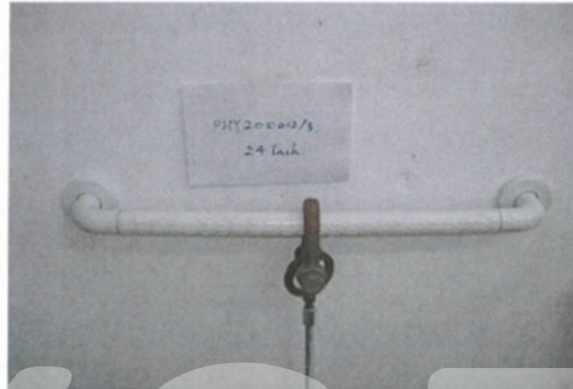
AA Lab Ltd.

Flat I, 5/F, Fu Cheung Centre,
5-7 Wong Chuk Yeung Street,
Fotan, New Territories,
HONG KONG

Tel: (852) 37050140; Fax: (852) 37050141
www.aalab.com.hk

Client ref: --
Report No.: PHY200012(2)

Page: 2 of 2



Test Sample numbered PHY200012/3



Test configuration

*** End of Report ***



Ka Shing Enterprise (H.K.) Ltd.

ROOM 1706 NEW TERRORIES TSUEN WAN HO LIK CENTRE, 66A SHA TSUI ROAD
Tel: 26280661 Fax: 24902700
Email: project@kashingehk.com
Website: www.kashingehk.com

Ivan / Horace 26280661

E/ project@kashingehk.com

W/ <https://www.kashingehk.com/>