

## SANITARY WARE SPECIFICATION SHEET

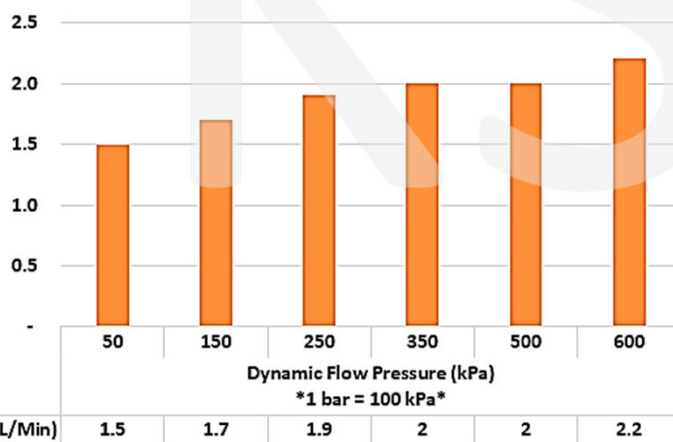
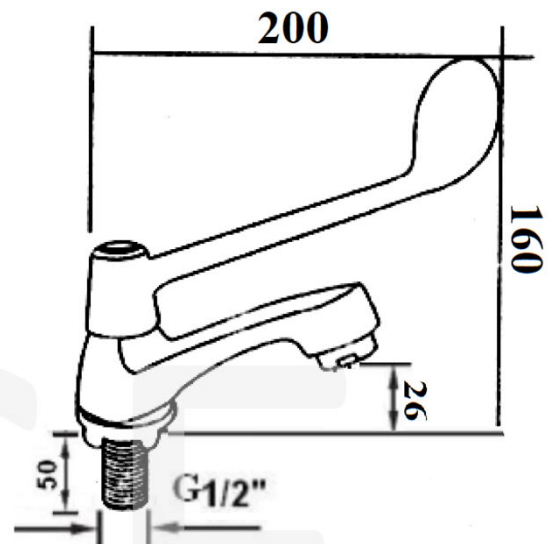
Model: CN-038

Descriptions: KITA (PRC) Chrome plated elbow action pillar tap, 1/2" ; nominated flow rate 3.4 L/min in WELS Grade 2; Registration No. TN 19-0057; complies with: BS EN 200: 2008; BS EN 1982: 2008 & AS/NZS 4020: 2005; BS EN 200: 2008; BS EN 1982: 2008; BS EN 12164: 2016 & AS/NZS 4020: 2005 PLU1. M680.7; BS 1010: Part 2: 1973 ;test report J25761

Dimensions: L1500 x W750 x H420 mm

Finish : Chrome Plated

Manufacturer: KITA (PRC)



\* All information of the above is for the reference only. No prior notice is made if any changes.



**Ka Shing Enterprise (H.K.) Ltd.**

ROOM 1706 NEW TERRITORIES TSUEN WAN HO LIK CENTRE, 66A SHA TSUI ROAD  
 Tel: 26280661 Fax: 24902700  
 Email: project@kashingehk.com  
 Website: www.kashingehk.com

Ivan / Horace 26280661

E/ project@kashingehk.com

W/ <https://www.kashingehk.com/>

註冊號碼 (Registration No.):

TN 19-0057



自願參與用水效益標籤計劃 - 水龍頭  
Voluntary Water Efficiency Labelling Scheme - Water Taps

Certificate of Registration 註冊證書



茲證明  
This is to certify that

將下列水龍頭在本計劃內註冊：  
has registered the following water tap under this scheme :

牌子 / Brand	:	KITA
型號 / Model	:	CN-038
種類 / Type	:	Non-mixing
原產地 / Country or Region Origin	:	China

在用水效益標籤上展示的標誌 <i>Symbolic Presentation on the Water Efficiency Label</i>	:		滴水點 <i>Water droplet(s)</i>
用水效益級別 <i>Water Efficiency Grade</i>	:	2	
耗水量 <i>Water Consumption</i>	:	3.4	公升/分鐘 <i>litres/minute</i>

簽發日期：  
Date of Issue: 16 May 2019



水務署署長(張業駒代行)  
for Director of Water Supplies



Ka Shing Enterprise (H.K.) Ltd.

ROOM 1706 NEW TERRITORIES TSUEN WAN HO LIK CENTRE, 66A SHA TSUI ROAD  
Tel:26280661 Fax: 24902700  
Email: project@kashingehk.com  
Website: www.kashingehk.com

Ivan / Horace 26280661  
E/ project@kashingehk.com  
W/ https://www.kashingehk.com/



水務署  
Water Supplies Department

總部 Headquarters

香港灣仔告士打道七號入境事務大樓 48 樓

48/F, Immigration Tower, 7 Gloucester Road, Wan Chai, Hong Kong

本署檔號 : (4) in WSD 3321/2021 T/J(53/2021)  
Our ref.  
來函檔號 :  
Your ref.

電話 :  
Tel.  
傳真 : 2824 0578  
Fax.

5 March 2021



Dear Sir,

**Approval of "KITA" Basin Tap  
(General Acceptance No. C20210216)**

Your letters dated 16 December 2020 and 25 January 2021 refer.

Having considered the test report ref. J25761 issued on 26 November 2020 by Nutek System (HK) Limited, this Authority accepts that the fitting described below complies with, and its use when correctly installed does not contravene, the Waterworks Ordinance and Regulations.

**Name of Manufacturer:** 廣東省鶴山市址山東溪開發區江毅水暖廠

**Country of Origin:** the Mainland of China

**Brand:** Kita

**Details of Fitting:** 1/2" Single lever basin tap

**Model:** CN-038

**Body Markings:** **Kita**<sup>®</sup>

**Expiry Date:** 16 November 2025



**Ka Shing Enterprise (H.K.) Ltd.**

ROOM 1706 NEW TERRITORIES TSUEN WAN HO LIK CENTRE, 66A SHA TSUI ROAD  
Tel: 26280661 Fax: 24902700  
Email: project@kashingehk.com  
Website: www.kashingehk.com

Ivan / Horace 26280661

E/ project@kashingehk.com

W/ https://www.kashingehk.com/

This Authority hereby permits the use of the above fitting in fresh water plumbing systems subject to full adherence to Waterworks installation requirements.

A condition of this acceptance is that the fitting to be installed shall be replicas of the sample as certified by the testing agent mentioned above and without modifications. This acceptance may be withdrawn at any time if the standard of the fitting installed fails to meet that of the approved sample or if the fitting is found to be unsuitable for use in fresh water plumbing systems.

This acceptance is only applicable to the main body of the fitting, unless otherwise specified.

For the use of the fitting in any project, the General Acceptance Number of this letter must be quoted as a means of identification of acceptance of the fitting by this Authority.

Should you have any enquiries, please contact our Engineer Mr. Terry KUNG at tel. no. 3583 4086.

Yours faithfully,



(Roger WONG)

for Director of Water Supplies

Encl.

c.c.      WSD 3321/1/82    ] - without catalogue  
            ME/MC            ] - with soft copy only

---

**General Acceptance No. C20210216**



**Ka Shing Enterprise (H.K.) Ltd.**

ROOM 1706 NEW TERRITORIES TSUEN WAN HO LIK CENTRE, 66A SHA TSUI ROAD  
Tel:26280661 Fax: 24902700  
Email: project@kashingehk.com  
Website: www.kashingehk.com

Ivan / Horace 26280661

E/ project@kashingehk.com

W/ <https://www.kashingehk.com/>