

SANITARY WARE SPECIFICATION SHEET

Model: S-8810-12

Descriptions: SODUN (PRC) Ø35 x 300mm long white ABS coated aluminium grip grab rail ; BS12:1978 & BS882:1973 capable of carrying a static loading test 150kg ; test report PHY200012 ; complied with Barrier Free Access 2008

Dimensions: 300mm x Ø35 mm

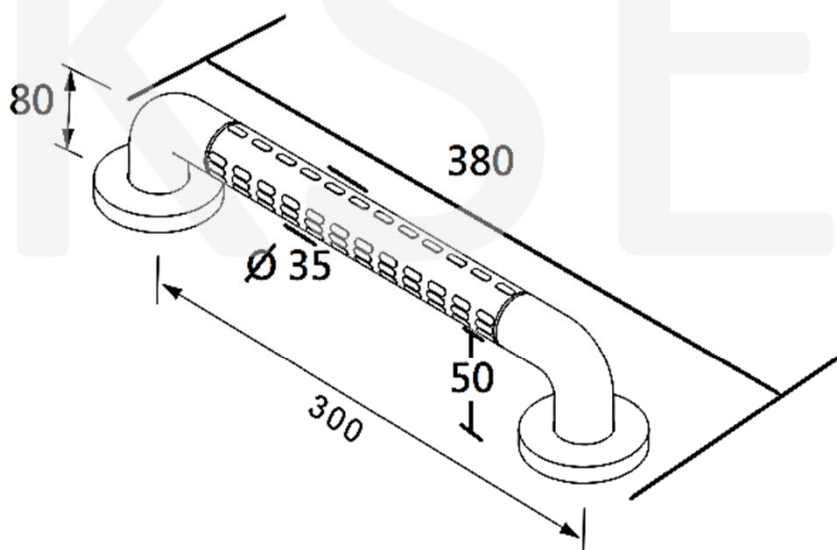
Material : ABS Coated Aluminum

Manufacturer: SODUN (PRC)

Color : White



anti-slip
surface



* All information of the above is for the reference only. No prior notice is made if any changes.



Ka Shing Enterprise (H.K.) Ltd.

ROOM 1706 NEW TERRITORIES TSUEN WAN HO LIK CENTRE, 66A SHA TSUI ROAD
Tel:26280661 Fax: 24902700
Email: project@kashingehk.com
Website: www.kashingehk.com

Ivan / Horace 26280661

E/ project@kashingehk.com

W/ <https://www.kashingehk.com/>

Client Ref. : --
 Report No. : PHY200012

Page 1 of 2

REPORT ON LOADING TEST OF GRAB BAR

Information Supplied by Client

Client : Ka Shing Enterprises (H.K.) Limited
 Project : Loading test of grab bar - 150kg
 Sample Description : 12 Inch of length grab handle
 Model No. : S-8810-12

Laboratory Information

Lab. Sample I.D. : PHY200012/5
 Date Received : 7/5/2020
 Date Test Started : 11/5/2020
 Date Test Completed : 11/5/2020
 Test Method : General Specification 2013 Section 14 Ironmongery Clause 14.07(2)


Test Results

Lab Sample ID	Test Load (kg)	Duration (minute)	Visual damage (e.g. breakage, significant permanent deformation, etc)	Result
PHY200012/5	150	5	No visual damage	Pass

Test description: The grab handle was mounted on a concrete wall. A test load was applied vertically to the mid point of the handle for 5 minute which was then examined for any signs of damage.

Remarks : 1.) The test results relate only to the samples tested.

Checked by : M. C. Lau Date : 2/6/2020 Certified by : Igor Date : 2/6/2020


 Cheung Chi Ho, Igor
 Dept. Head (Physical Testing)



Ka Shing Enterprise (H.K.) Ltd.

ROOM 1706 NEW TERRITORIES TSUEN WAN HO LIK CENTRE, 66A SHA TSUI ROAD
 Tel: 26280661 Fax: 24902700
 Email: project@kashingehk.com
 Website: www.kashingehk.com

Ivan / Horace 26280661

E/ project@kashingehk.com

W/ [https://www.kashingehk.com/](http://www.kashingehk.com/)



AA Lab Ltd.

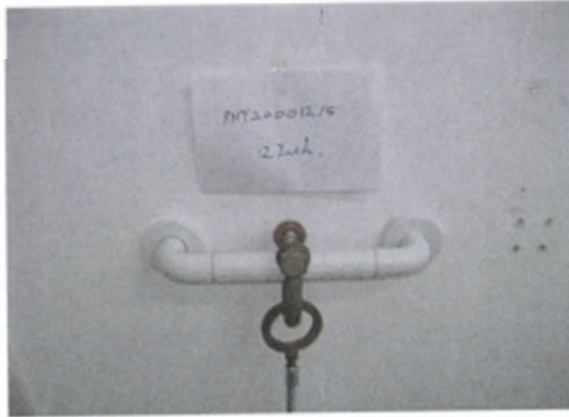
Flat 1, 5/F, Fu Cheung Centre,
5-7 Wong Chuk Yeung Street,
Fotan, New Territories,
HONG KONG

Tel: (852) 37050140; Fax: (852) 37050141

www.aalab.com.hk

Client ref: --
Report No.: PHY200012

Page: 2 of 2



Test Sample numbered PHY200012/5



Test configuration

*** End of Report ***



Ka Shing Enterprise (H.K.) Ltd.

ROOM 1706 NEW TERRITORIES TSUEN WAN HO LIK CENTRE, 66A SHA TSUI ROAD
Tel: 26280661 Fax: 24902700
Email: project@kashingehk.com
Website: www.kashingehk.com

Ivan / Horace 26280661

E/ project@kashingehk.com

W/ <http://www.kashingehk.com/>