

SANITARY WARE SPECIFICATION SHEET

Model: 803-FU760

Descriptions: SODUN (PRC) Ø32 x 770mm long stainless steel 304 hinged support rail in satin finish; of carrying a static loading test 150kg ; test report PHY200012(3) ; complied with Barrier Free Access 2008

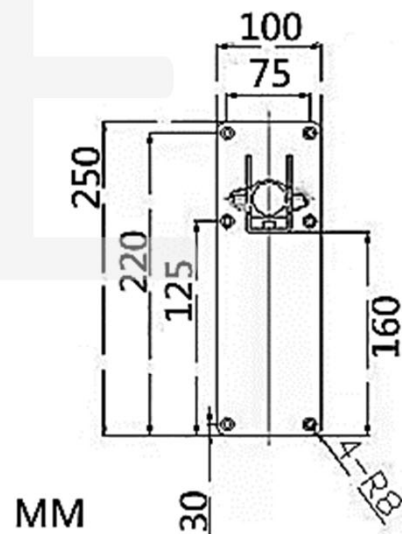
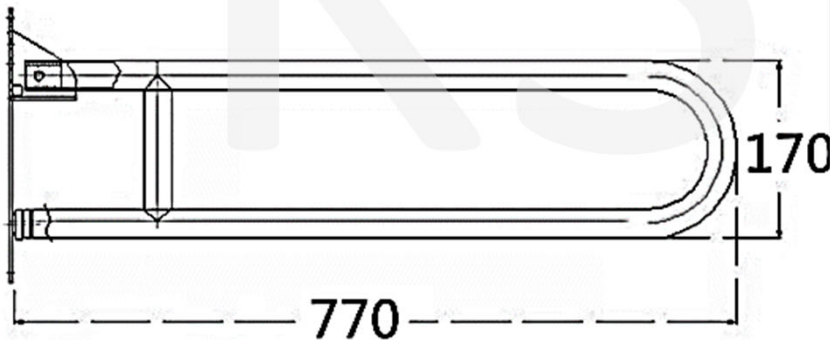
Dimensions: 32mm dia x 770mm long

Finish : Stainless Steel

Manufacturer: SODUN (PRC)



配件：爆炸螺丝M8



* All information of the above is for the reference only. No prior notice is made if any changes.



Ka Shing Enterprise (H.K.) Ltd.

ROOM 1706 NEW TERRITORIES TSUEN WAN HO LIK CENTRE, 66A SHA TSUI ROAD
Tel:26280661 Fax: 24902700
Email: project@kashingehk.com
Website: www.kashingehk.com

Ivan / Horace 26280661

E/ project@kashingehk.com

W/ <https://www.kashingehk.com/>

REPORT ON LOADING TEST OF GRAB BAR

Information Supplied by Client

Client : Ka Shing Enterprises (H.K.) Limited
 Project : Loading test of grab bar - 150kg
 Sample Description : Stainless steel foldable grab bar (不銹鋼傷殘扶手)
 Model No. : 803-FU760

Laboratory Information

Lab. Sample I.D. : PHY200012/1
 Date Received : 7/5/2020
 Date Test Started : 12/5/2020
 Date Test Completed : 12/5/2020
 Test Method : General Specification 2013 Section 14 Ironmongery Clause 14.07(2)

Test Results

Lab Sample ID	Test Load (kg)	Duration (minute)	Visual damage (e.g. breakage, significant permanent deformation, etc)	Result
PHY200012/1	150	5	No visual damage	Pass

Test description: The grab bar was mounted on a concrete wall. A test load was applied vertically to the mid point of the bar for 5 minute which was then examined for any signs of damage.

Remarks : 1.) The test results relate only to the samples tested.



Checked by : M. F. Lam Date : 2/6/2020 Certified by : ign Date : 2/6/2020

Cheung Chi Ho, Igor
 Dept. Head (Physical Testing)





AA Lab Ltd.

Flat I, 5/F, Fu Cheung Centre,
5-7 Wong Chuk Yeung Street,
Fotan, New Territories,
HONG KONG

Tel: (852) 37050140; Fax: (852)37050141
www.aalab.com.hk

Client ref: --
Report No.: PHY200012(3)

Page: 2 of 2



Test Sample numbered PHY200012/1



Test configuration

*** End of Report ***



Ka Shing Enterprise (H.K.) Ltd.

ROOM 1706 NEW TERRITORIES TSUEN WAN HO LIK CENTRE, 66A SHA TSUI ROAD
Tel: 26280661 Fax: 24902700
Email: project@kashingehk.com
Website: www.kashingehk.com

Ivan / Horace 26280661

E/ project@kashingehk.com

W/ <http://www.kashingehk.com/>