

## SANITARY WARE SPECIFICATION SHEET

Model: WC008A-P

Descriptions: Rence (PRC) Vitreous china close coupled dual flush high P-trapway washdown watercloset with horizontal outlet including of seat and cover

Dimensions: L645 x W370 x H760 mm

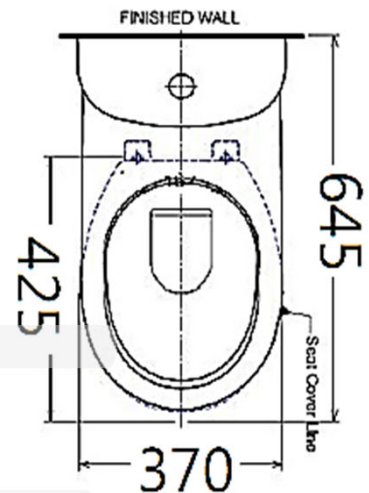
Material : Vitreous China

Manufacturer: RENE(PRC)

Color: White



*Tai Po Hospital*



**Description:**

- Name: v.c WC pan with closed coupled cistern
- P- Trap: 180 mm Rough -in
- Bottom inlet
- Dual Flush
- Bottom Inlet, Bottom Overflow (Reversible)
- Size: 370 Width X 645 Projected x 760 Height (overall)
- WC pan : 390 Height (excluding of seat and cover)

**Features:**

**EASY RELEASE:**

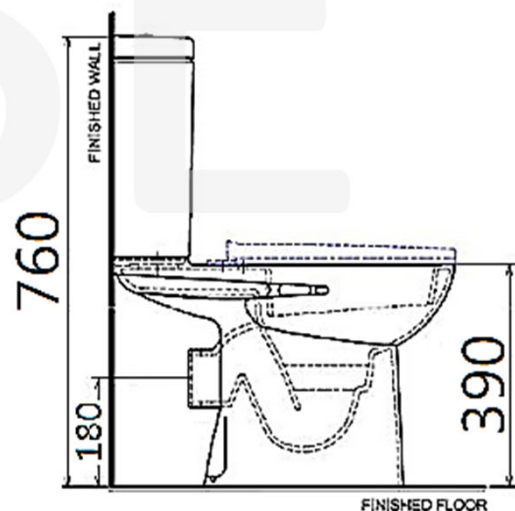
Easy removal for thorough cleaning.

**ULTRA SLIM DESIGN:**

Streamlined design that adds aesthetic value to modern living.

**CRYSTASLEEK:**

Sleek, slim and durable seat and cover for a timeless style.



\* All information of the above is for the reference only. No prior notice is made if any changes.

Deviation  $\pm 10$



**Ka Shing Enterprise (H.K.) Ltd.**

ROOM 1706 NEW TERRITORIES TSUEN WAN HO LIK CENTRE, 66A SHA TSUI ROAD  
 Tel:26280661 Fax: 24902700  
 Email: project@kashingehk.com  
 Website: www.kashingehk.com

Ivan / Horace 26280661

F/ project@kashingehk.com

W/ <https://www.kashingehk.com/>