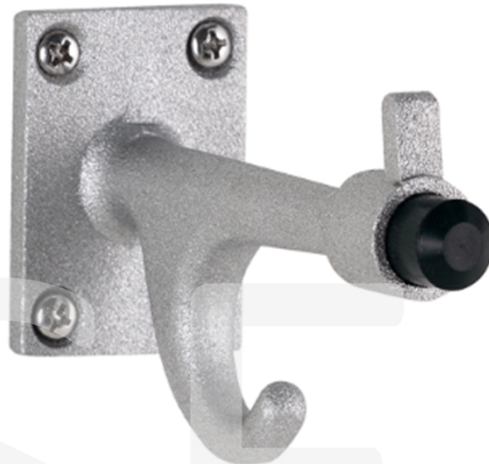
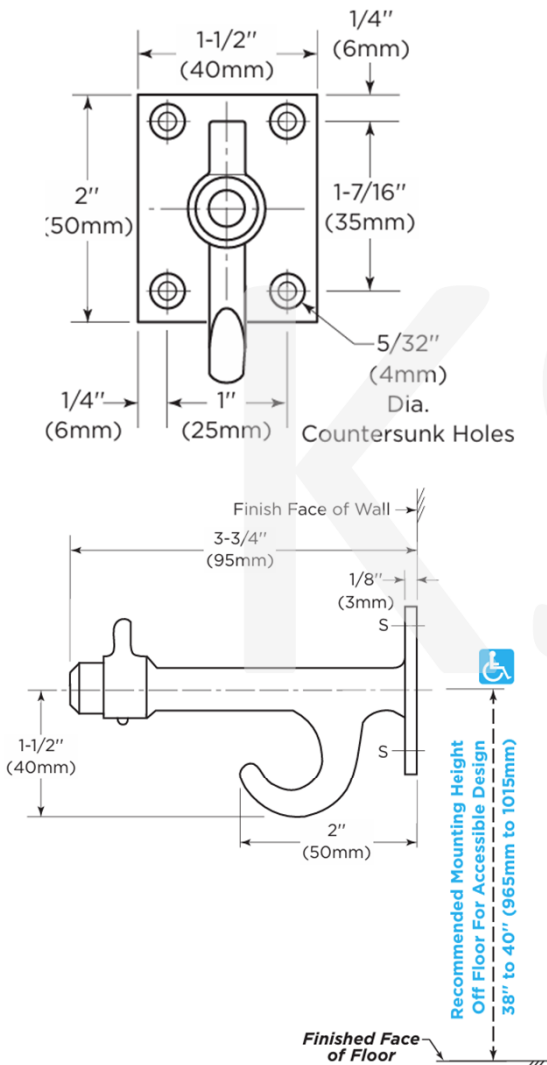


SANITARY WARE SPECIFICATION SHEET

Model: B-212

Descriptions: Bobrick(USA) Stainless Steel wall mounted coat hook with hard rubber bumper

Dimensions: L95 x W40 x H50mm Material : Stainless Steel
 Manufacturer: Bobrick Washroom Equipment Inc. (USA) Finish : Satin



Materials:

Hook and Base — Solid cast aluminum.
 Bumper — Hard rubber secured with drive-screw. Protects wall or partition surfaces.

INSTALLATION:

Mount unit on wall with four screws, furnished by manufacturer, at points indicated by an S. For plaster or dry wall construction, provide concealed backing to comply with local building codes, then secure hook with screws furnished. For other wall surfaces, provide fiber plugs or expansion shields for use with screws furnished, or provide 1/8" (3mm) toggle bolts or expansion bolts.

SPECIFICATION:

Clothes hook shall be constructed of solid cast aluminum. Unit shall be equipped with hard rubber bumper.

* All information of the above is for the reference only. No prior notice is made if any changes.



Ka Shing Enterprise (H.K.) Ltd.

ROOM 1706 NEW TERRITORIES TSUEN WAN HO LIK CENTRE, 66A SHA TSUI ROAD
 Tel:26280661 Fax: 24902700
 Email: project@kashingehk.com
 Website: www.kashingehk.com

Ivan / Horace 26280661
 E/ project@kashingehk.com
 W/ https://www.kashingehk.com/