

# Grab Bar



## SANITARY WARE SPECIFICATION SHEET

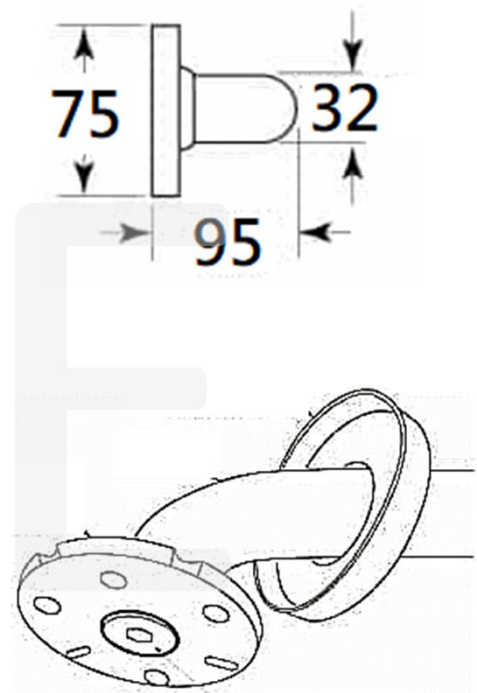
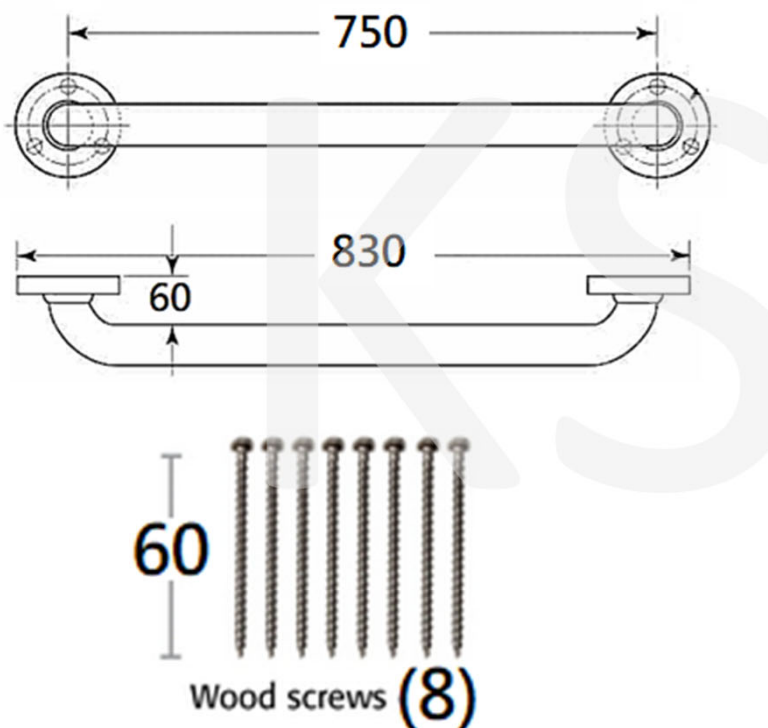
Model: AG-33H

Descriptions: SODUN (PRC) Ø32 x 750 mm long stainless steel 304 grab bar in satin finish ; capable of carrying a static loading test 150kg ;test report J29855;complied with Barrier Free Access 2008

Dimensions: 32mm dia x 600 mm long

Finish : Stainless Steel

Manufacturer: SODUN (PRC)



\* All information of the above is for the reference only. No prior notice is made if any changes.



**Ka Shing Enterprise (H.K.) Ltd.**

ROOM 1706 NEW TERRITORIES TSUEN WAN HO LIK CENTRE, 66A SHA TSUI ROAD  
Tel:26280661 Fax: 24902700  
Email: project@kashingehk.com  
Website: www.kashingehk.com

Ivan / Horace 26280661

E/ project@kashingehk.com

W/ <https://www.kashingehk.com/>

## Test Report

TITLE : Loading test

REPORT NO. : J 29854r1  
(This test report is issued to supersede the one of ref.J 29854)

DESCRIPTION OF SAMPLE : 1-1/4" x 24 cm Grab bar

SAMPLE SUBMITTED BY : Ka Shing Enterprises (H.K.) Limited  
Unit A, 3/F, 30-38 Tsuen King Circuit,  
Waylee Industrial Centre, Tsuen Wan, N.T.  
Chai Wan Kok, N.T. Hong Kong

BRAND : Sodun

COUNTRY OF ORIGIN : CHINA

MODEL : AG-33H

METHOD OF TESTS : Loading test

PERIOD OF TESTS : 09 May, 2024

**RESULTS:** (apply only to the sample tested)

1. Load test

The sample was installed onto a concrete wall made of concrete mix grade 30D10 (cement to BS12:1978 and Aggregate to BS882:1973). A test load was applied to the mid point of the sample which was then examined for any signs of damage

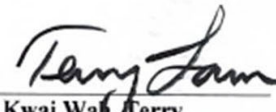
	Static load (kg)	Test duration (min)	Break/failure/deflection/crack	Remark
Sample	150	30	No	PASS
Required	150	30	No	--

**Note:**

The sample is capable of carrying the static load as per requirement of Clause 53, Design Manual: Barrier Free Access 2008 (2021 Edition).

Date: 28 May 2024

Authorized Signature:



Lam Kwai Wah Terry  
(Operations Manager)

Nutek Systems is a testing agency, accepted by the Water Supplies Department, for testing water supply fittings.

REPORT NO.: J 29854r1



Figure 1 - Sample

- End of report -