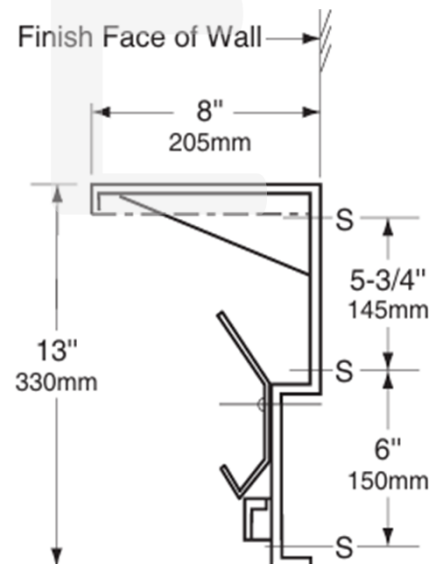
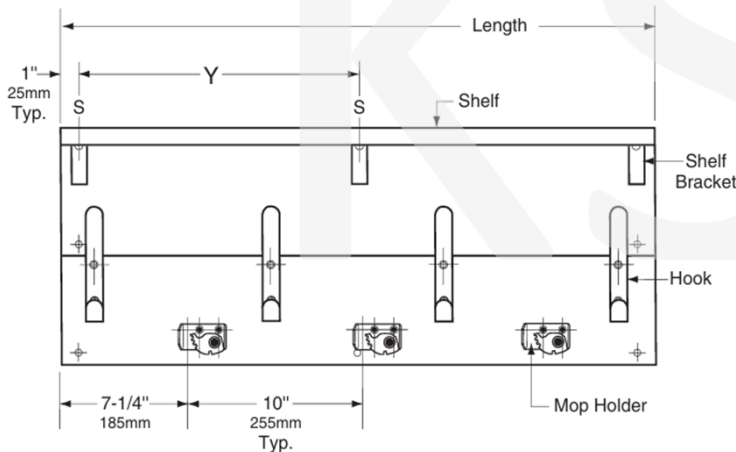


## SANITARY WARE SPECIFICATION SHEET

Model: B-239 x 34

Descriptions: Bobrick (USA) Stainless steel wall-mounted shelf with holders and hook in satin finish

Dimensions: L865 x W205 x H330 mm      Material :      Stainless Steel  
 Manufacturer: Bobrick Washroom Equipment Inc. (USA)      Finish:      Satin



Utility shelf with mop/broom holders and rag hooks shall be type-304 stainless steel with all-welded construction; exposed surfaces shall have satin finish. Shelf shall be 18 gauge (1.2mm), 8" (205mm) deep with 3/4" (19mm) return edges, and shall have front edge hemmed for safety.

\* All information of the above is for the reference only. No prior notice is made if any changes.



**Ka Shing Enterprise (H.K.) Ltd.**

ROOM 1706 NEW TERRITORIES TSUEN WAN HO LIK CENTRE, 66A SHA TSUI ROAD  
 Tel:26280661 Fax: 24902700  
 Email: project@kashingehk.com  
 Website: www.kashingehk.com

Ivan / Horace 26280661  
 E/ project@kashingehk.com  
 W/ https://www.kashingehk.com/