

SANITARY WARE SPECIFICATION SHEET

Model: AI1323B

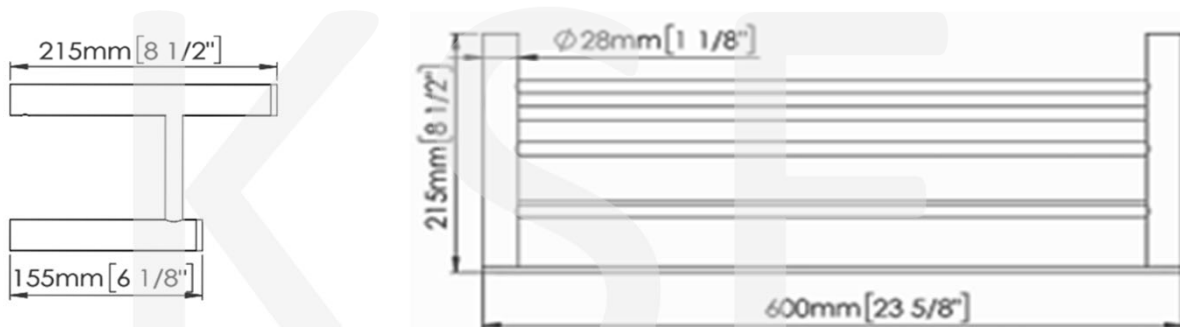
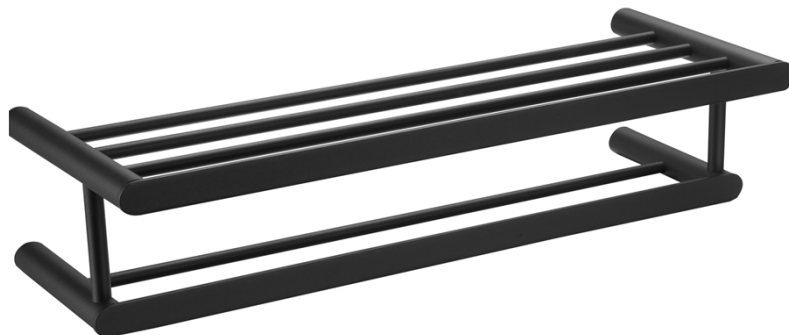
Descriptions: Mediclinics (Spain) bathroom towel shelf with towel rail made of AISI 304 stainless steel with black finish

Dimensions: L600 x H150 x W215 mm

Material: 304 Stainless Steel

Manufacturer : Mediclinics, S.A. (Spain)

Finish : Black



Technical Specifications

Dimensions	600 x 28 x 65 mm
Rail thickness	4,5 mm
Wall bracket diameter	28 mm
Wall bracket thickness	1,2 mm
Net weight	740 g



* All information of the above is for the reference only. No prior notice is made if any changes.



Ka Shing Enterprise (H.K.) Ltd.

ROOM 1706 NEW TERRORIES TSUEN WAN HO LIK CENTRE, 66A SHA TSUI ROAD
 Tel:26280661 Fax: 24902700
 Email: project@kashingehk.com
 Website: www.kashingehk.com

Ivan / Horace 26280661

E/ project@kashingehk.com

W/ <https://www.kashingehk.com/>