

SANITARY WARE SPECIFICATION SHEET

Model: AI1323CS

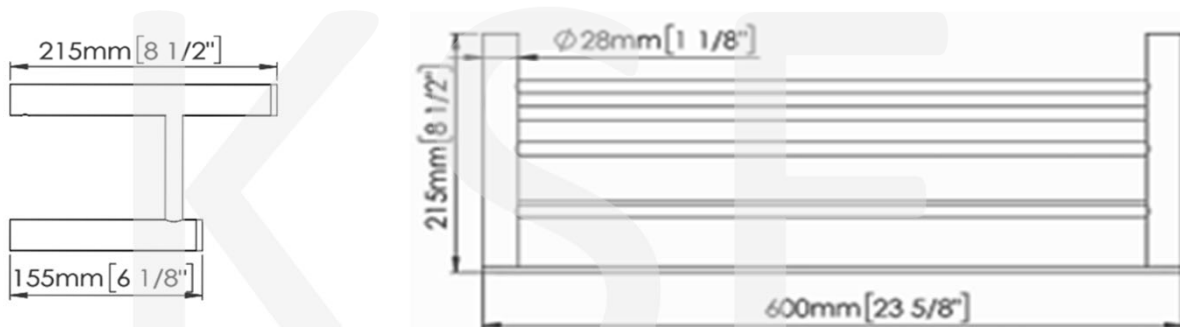
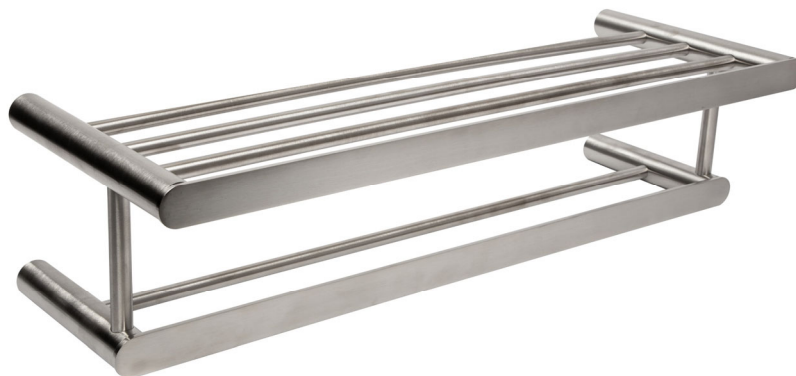
Descriptions: Mediclinics (Spain) bathroom towel shelf with towel rail made of AISI 304 stainless steel with satin finish

Dimensions: L600 x H150 x W215 mm

Material: 304 Stainless Steel

Manufacturer : Mediclinics, S.A. (Spain)

Finish : Satin finish



Technical Specifications

Dimensions	600 x 28 x 65 mm
Rail thickness	4,5 mm
Wall bracket diameter	28 mm
Wall bracket thickness	1,2 mm
Net weight	740 g



* All information of the above is for the reference only. No prior notice is made if any changes.



Ka Shing Enterprise (H.K.) Ltd.

ROOM 1706 NEW TERRITORIES TSUEN WAN HO LIK CENTRE, 66A SHA TSUI ROAD
Tel: 26280661 Fax: 24902700
Email: project@kashingehk.com
Website: www.kashingehk.com

Ivan / Horace 26280661

E/ project@kashingehk.com

W/ <https://www.kashingehk.com/>