

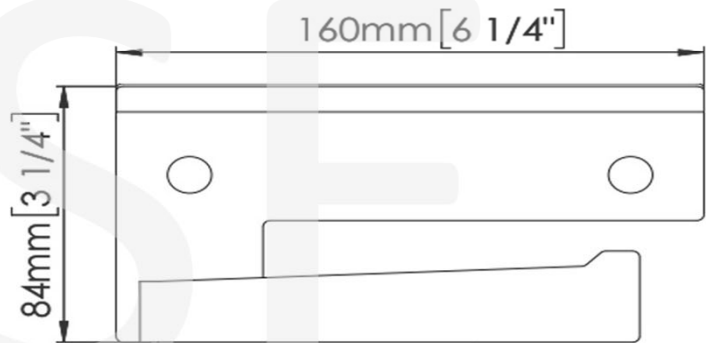
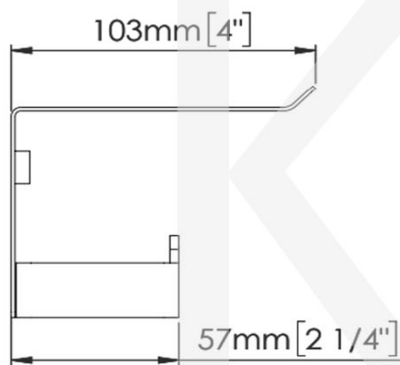
## SANITARY WARE SPECIFICATION SHEET

Model: AI2003C

Descriptions: Mediclinics (Spain) bathroom toilet roll holder with shelf made of AISI 304 stainless steel with bright finish

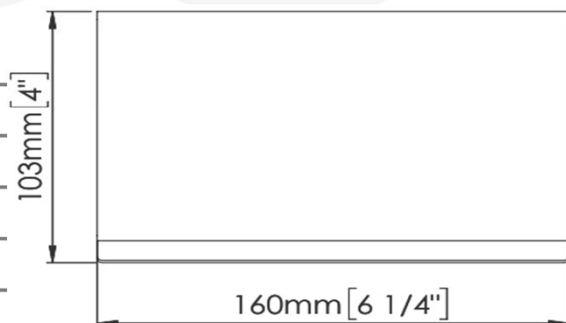
Dimensions: L160 x H84 x W103 mm  
 Manufacturer : Mediclinics, S.A. (Spain)

Material : 304 stainless steel  
 Finish : Bright Finish



### Technical Specifications

Dimensions	160 x 84 x 103 mm
Paper roll axis thickness	3 mm
Wall-shelf bracket thickness	1,5 mm
Net weight	380 g



\* All information of the above is for the reference only. No prior notice is made if any changes.



**Ka Shing Enterprise (H.K.) Ltd.**

ROOM 1706 NEW TERRITORIES TSUEN WAN HO LIK CENTRE, 66A SHA TSUI ROAD  
 Tel: 26280661 Fax: 24902700  
 Email: project@kashingehk.com  
 Website: www.kashingehk.com

Ivan / Horace 26280661

E/ project@kashingehk.com

W/ <https://www.kashingehk.com/>