

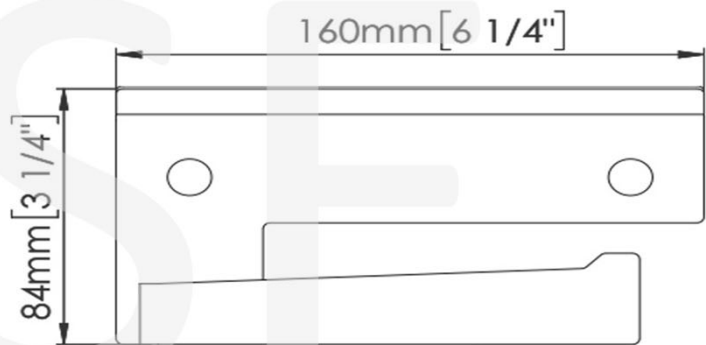
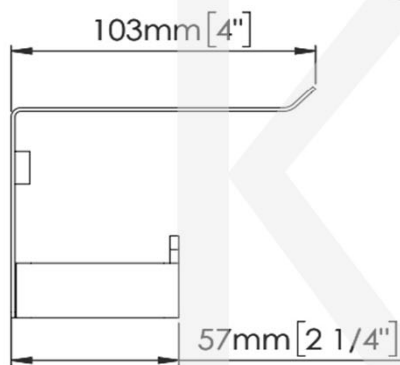
SANITARY WARE SPECIFICATION SHEET

Model: AI2003CS

Descriptions: Mediclinics (Spain) bathroom toilet roll holder with shelf made of AISI 304 stainless steel with satin finish

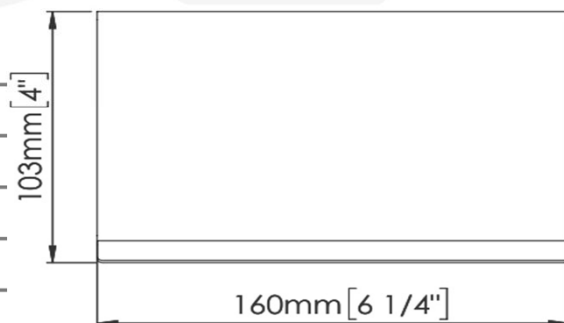
Dimensions: L160 x H84 x W103 mm
 Manufacturer : Mediclinics, S.A. (Spain)

Material : 304 stainless steel
 Finish : Satin Finish



Technical Specifications

Dimensions	160 x 84 x 103 mm
Paper roll axis thickness	3 mm
Wall-shelf bracket thickness	1,5 mm
Net weight	380 g



* All information of the above is for the reference only. No prior notice is made if any changes.



Ka Shing Enterprise (H.K.) Ltd.

ROOM 1706 NEW TERRITORIES TSUEN WAN HO LIK CENTRE, 66A SHA TSUI ROAD
 Tel: 26280661 Fax: 24902700
 Email: project@kashingehk.com
 Website: www.kashingehk.com

Ivan / Horace 26280661

E/ project@kashingehk.com

W/ <https://www.kashingehk.com/>