

## SANITARY WARE SPECIFICATION SHEET

Model: B-207

B-207X36 (Length : 915mm, 36 inch.)

B-207X48 (Length : 1220mm, 48 inch.)

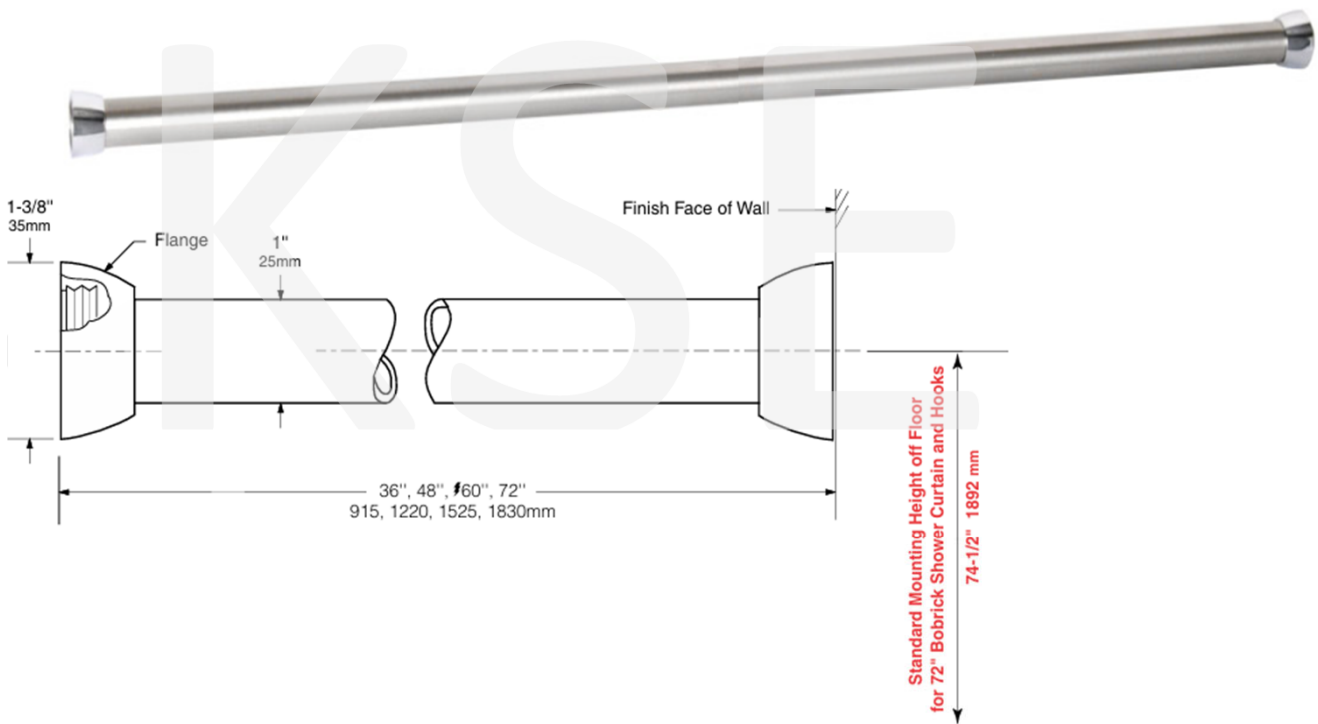
B-207X60 (Length : 1525mm, 60 inch.)

B-207X72 (Length : 1830mm, 72 inch.)

Descriptions: Bobrick (USA) Heavy duty shower curtain rod with concealed mounting (Length: 36/48/60/72 inch)

Dimensions: 25mm diameter Material : Stainless Steel

Manufacturer: Bobrick Washroom Equipment Inc. (USA) Finish: Satin



Shower curtain rod shall be Type-304, 20-gauge (1.0mm) stainless steel with satin finish. It shall have an outside diameter of 1" (25mm). Flanges shall be 1-3/8" (35mm) diameter chrome-plated plastic with bright polished finish. Unit shall be equipped with

\* All information of the above is for the reference only. No prior notice is made if any changes.



**Ka Shing Enterprise (H.K.) Ltd.**

ROOM 1706 NEW TERRITORIES TSUEN WAN HO LIK CENTRE, 66A SHA TSUI ROAD  
 Tel:26280661 Fax: 24902700  
 Email: project@kashingehk.com  
 Website: www.kashingehk.com

Ivan / Horace 26280661  
 E/ project@kashingehk.com  
 W/ https://www.kashingehk.com/