

SANITARY WARE SPECIFICATION SHEET

Model: AI1318B

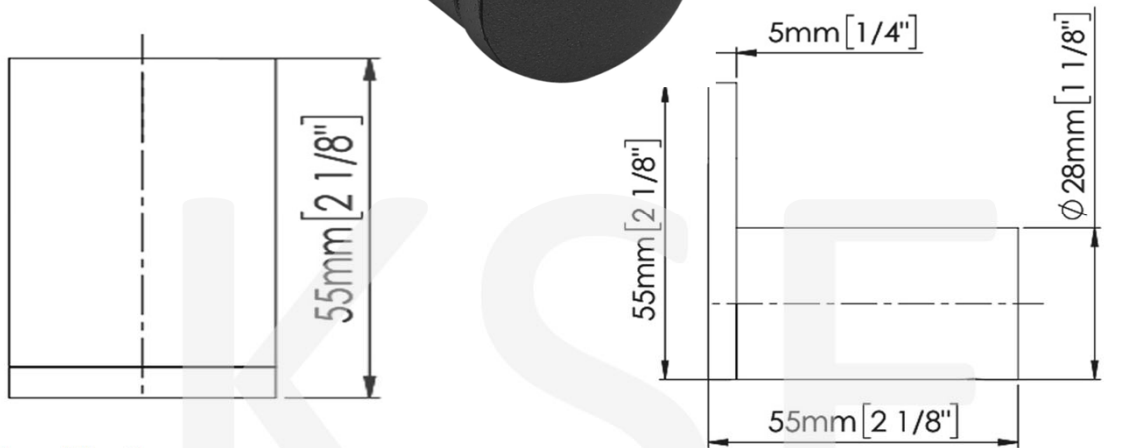
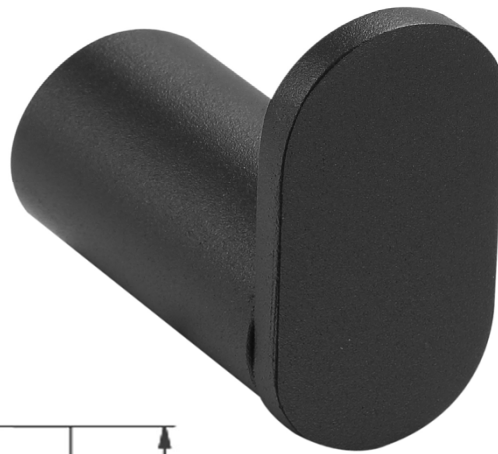
Descriptions: Mediclinics (Spain) bathroom robe hook made of AISI 304 stainless steel with black finish

Dimensions: L55 x H55 x W28 mm

Material : 304 stainless steel

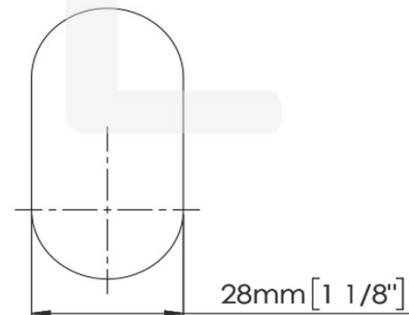
Manufacturer : Mediclinics, S.A. (Spain)

Finish : Black finish



Technical Specifications

Dimensions	55 x 55 x 28 mm
Hook thickness	5 mm
Wall bracket diameter	28 mm
Wall bracket thickness	1,2 mm
Net weight	120 g



* All information of the above is for the reference only. No prior notice is made if any changes.



Ka Shing Enterprise (H.K.) Ltd.

ROOM 1706 NEW TERRITORIES TSUEN WAN HO LIK CENTRE, 66A SHA TSUI ROAD
 Tel: 26280661 Fax: 24902700
 Email: project@kashingehk.com
 Website: www.kashingehk.com

Ivan / Horace 26280661

E/ project@kashingehk.com

W/ <https://www.kashingehk.com/>