

## SANITARY WARE SPECIFICATION SHEET

Model: AI2318C

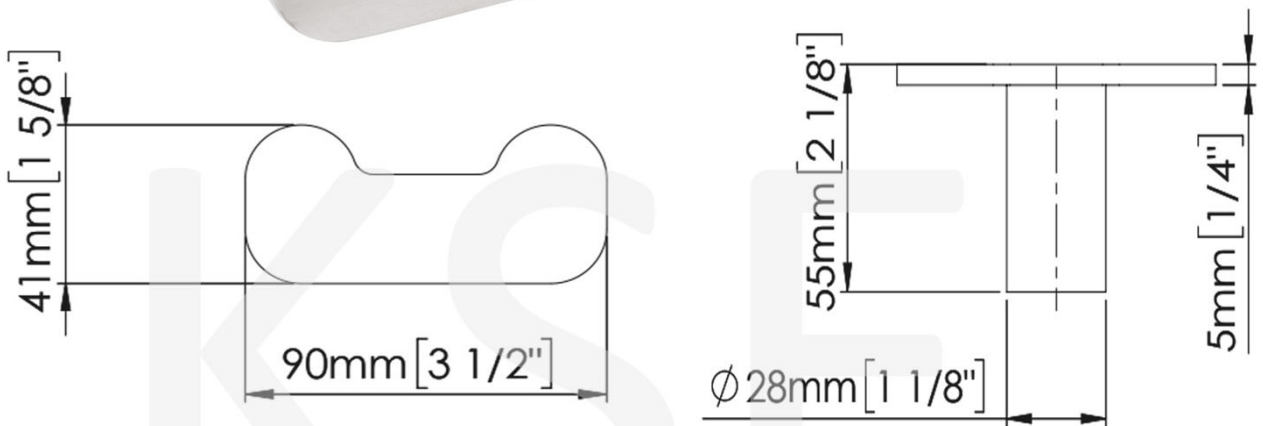
Descriptions: Mediclinics (Spain) double bathroom robe hook made of AISI 304 stainless steel with bright finish

Dimensions: L55 x H55 x W90 mm

Material : 304 stainless steel

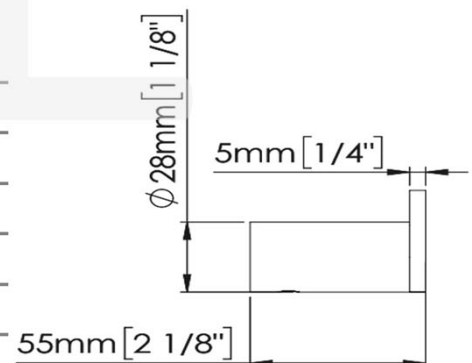
Manufacturer : Mediclinics, S.A. (Spain)

Finish : Bright finish



### Technical Specifications

<b>Dimensions</b>	55 x 55 x 90 mm
<b>Hook thickness</b>	5 mm
<b>Wall bracket diameter</b>	28 mm
<b>Wall bracket thickness</b>	1,2 mm
<b>Net weight</b>	180 g



\* All information of the above is for the reference only. No prior notice is made if any changes.



**Ka Shing Enterprise (H.K.) Ltd.**

ROOM 1706 NEW TERRITORIES TSUEN WAN HO LIK CENTRE, 66A SHA TSUI ROAD  
 Tel:26280661 Fax: 24902700  
 Email: project@kashingehk.com  
 Website: www.kashingehk.com

Ivan / Horace 26280661

E/ project@kashingehk.com

W/ <https://www.kashingehk.com/>