

SANITARY WARE SPECIFICATION SHEET

Model: AI2318CS

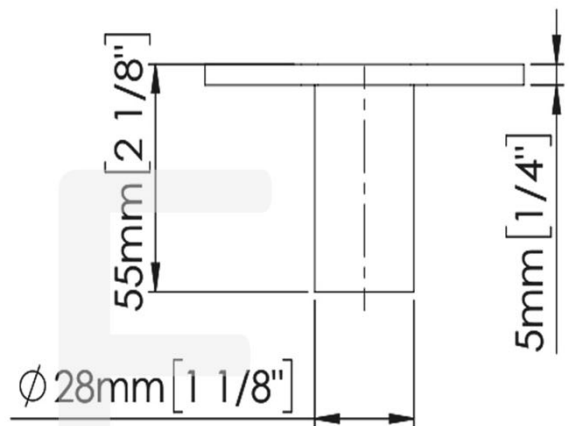
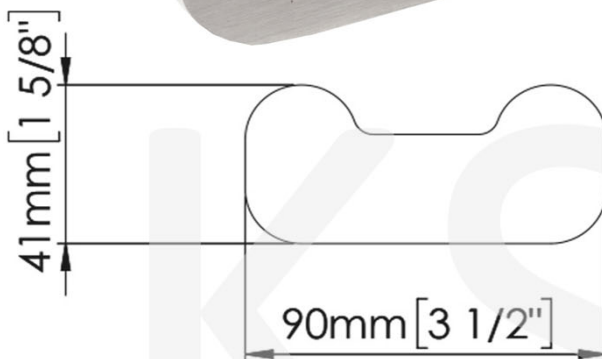
Descriptions: Mediclinics (Spain) double bathroom robe hook made of AISI 304 stainless steel with satin finish

Dimensions: L55 x H55 x W90 mm

Material : 304 stainless steel

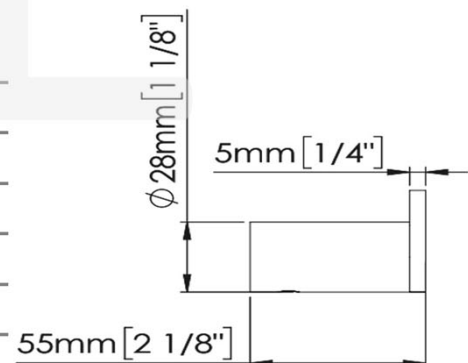
Manufacturer : Mediclinics, S.A. (Spain)

Finish : Satin finish



Technical Specifications

Dimensions	55 x 55 x 90 mm
Hook thickness	5 mm
Wall bracket diameter	28 mm
Wall bracket thickness	1,2 mm
Net weight	180 g



* All information of the above is for the reference only. No prior notice is made if any changes.



Ka Shing Enterprise (H.K.) Ltd.

ROOM 1706 NEW TERRITORIES TSUEN WAN HO LIK CENTRE, 66A SHA TSUI ROAD
Tel:26280661 Fax: 24902700
Email: project@kashingehk.com
Website: www.kashingehk.com

Ivan / Horace 26280661

E/ project@kashingehk.com

W/ <https://www.kashingehk.com/>