

SANITARY WARE SPECIFICATION SHEET

Model: AI1423C

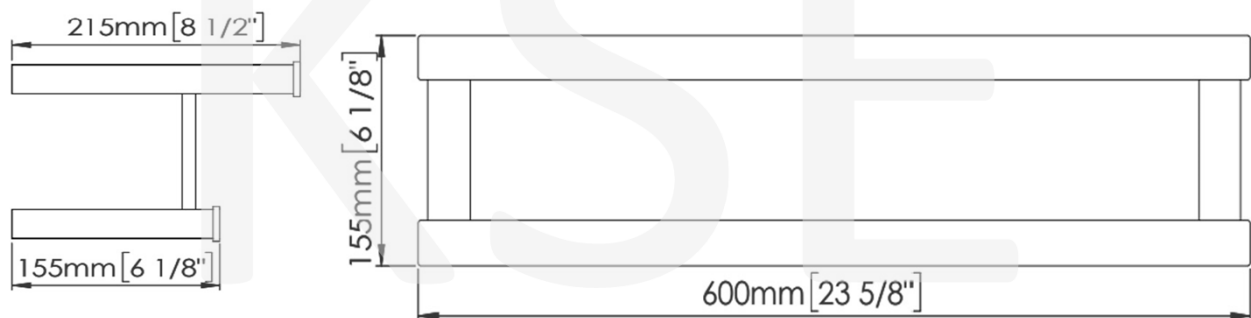
Descriptions: Mediclinics (Spain) bathroom towel shelf with towel rail made of AISI 304 stainless steel with bright finish

Dimensions: L600 x H150 x W215 mm

Material : 304 stainless steel

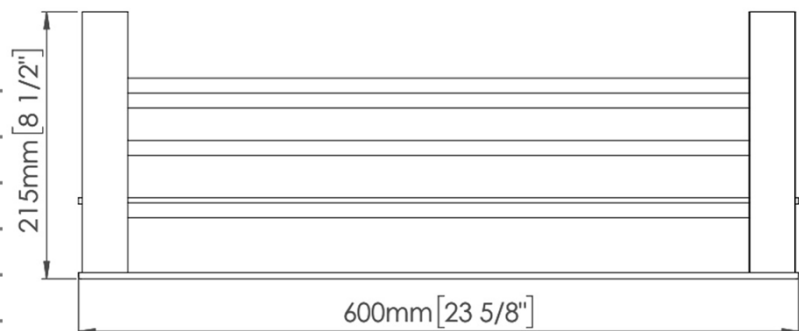
Manufacturer : Mediclinics, S.A. (Spain)

Finish : Bright finish



Technical Specifications

Dimensions	600 x 150 x 215 mm
Shelf bar tube diameter	12 mm
Towel rail tube diameter	12 mm
Wall bracket diameter	1.8 mm
Net weight	2.2 Kg



* All information of the above is for the reference only. No prior notice is made if any changes.



Ka Shing Enterprise (H.K.) Ltd.

ROOM 1706 NEW TERRITORIES TSUEN WAN HO LIK CENTRE, 66A SHA TSUI ROAD
 Tel:26280661 Fax: 24902700
 Email: project@kashingehk.com
 Website: www.kashingehk.com

Ivan / Horace 26280661

E/ project@kashingehk.com

W/ <https://www.kashingehk.com/>