

## SANITARY WARE SPECIFICATION SHEET

Model: AI1423CS

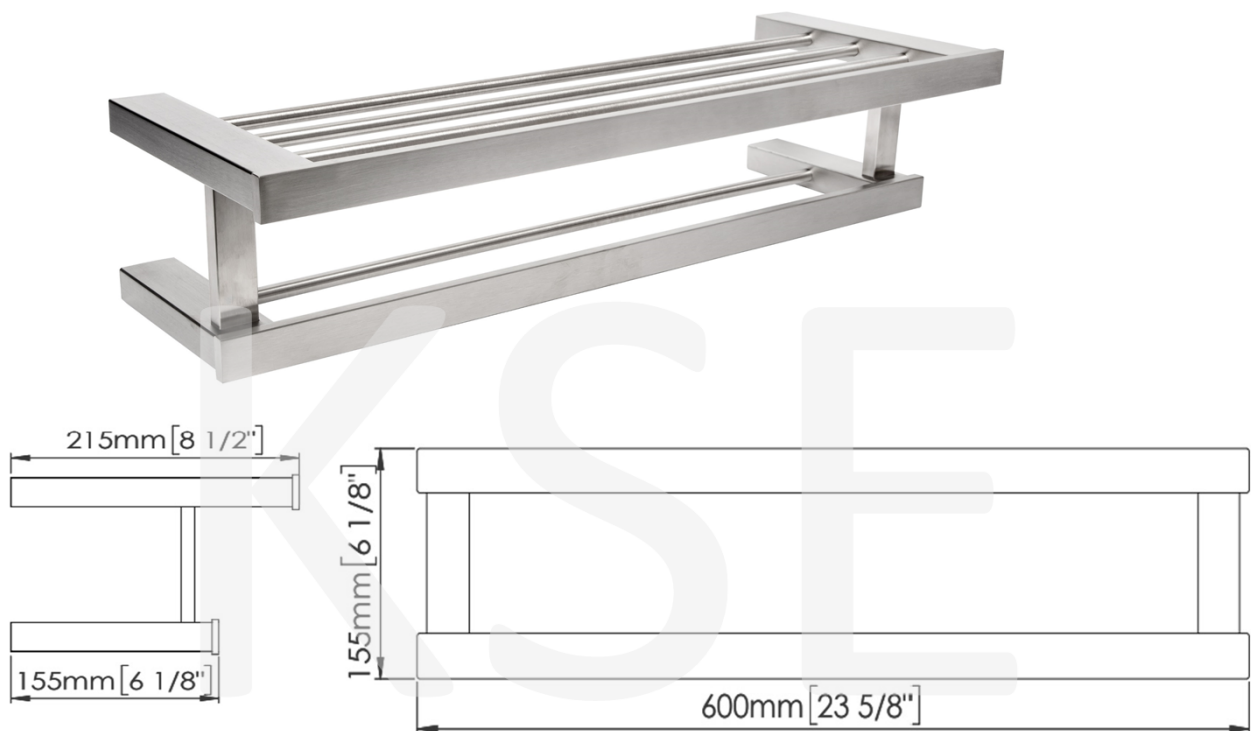
Descriptions: Mediclinics (Spain) bathroom towel shelf with towel rail made of AISI 304 stainless steel with satin finish

Dimensions: L600 x H150 x W215 mm

Material : 304 stainless steel

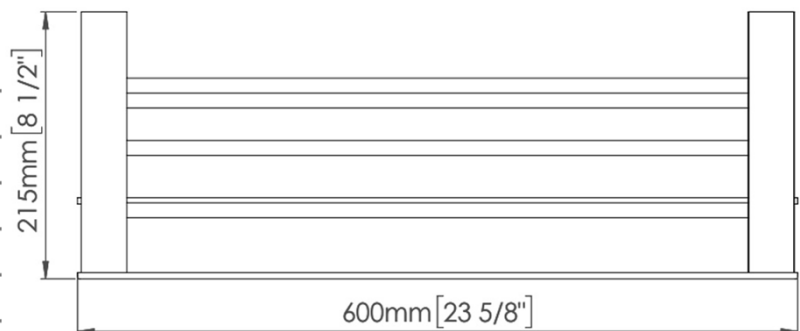
Manufacturer : Mediclinics, S.A. (Spain)

Finish : Satin finish



### Technical Specifications

Dimensions	600 x 150 x 215 mm
Shelf bar tube diameter	12 mm
Towel rail tube diameter	12 mm
Wall bracket diameter	1.8 mm
Net weight	2.2 Kg



\* All information of the above is for the reference only. No prior notice is made if any changes.



**Ka Shing Enterprise (H.K.) Ltd.**

ROOM 1706 NEW TERRITORIES TSUEN WAN HO LIK CENTRE, 66A SHA TSUI ROAD  
Tel:26280661 Fax: 24902700  
Email: project@kashingehk.com  
Website: www.kashingehk.com

Ivan / Horace 26280661

E/ project@kashingehk.com

W/ <https://www.kashingehk.com/>