

SANITARY WARE SPECIFICATION SHEET

Model: AI0110C

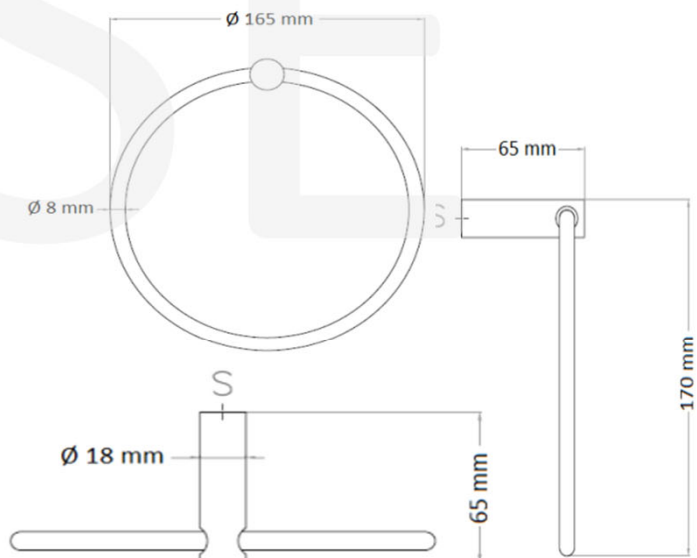
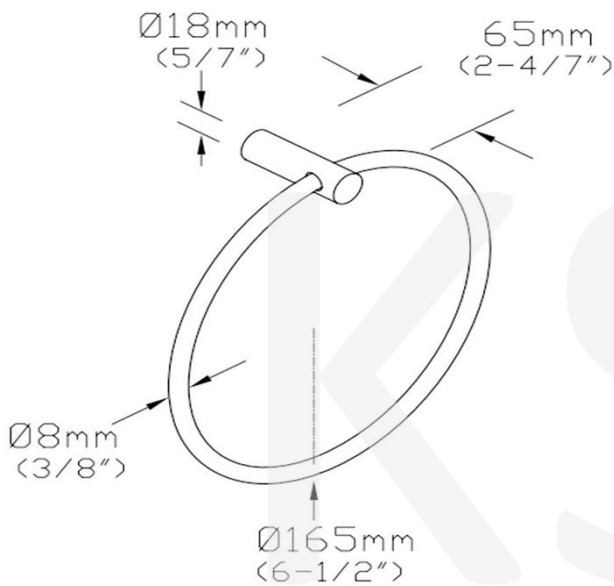
Descriptions: Mediclinics (Spain) bathroom round towel ring, bright finish and made of AISI 304 stainless steel

Dimensions: Ø 165 x W65 x H170 mm

Material : 304 stainless steel

Manufacturer : Mediclinics, S.A. (Spain)

Finish : Bright finish



Technical Specifications

General dimensions	Ø 165 x 65 x 170 mm
Towel bar diameter	Ø 8 mm
Support arm diameter	Ø 18 mm

* All information of the above is for the reference only. No prior notice is made if any changes.



Ka Shing Enterprise (H.K.) Ltd.

ROOM 1706 NEW TERRITORIES TSUEN WAN HO LIK CENTRE, 66A SHA TSUI ROAD
Tel: 26280661 Fax: 24902700
Email: project@kashinghk.com
Website: www.kashinghk.com

Ivan / Horace 26280661

E/ project@kashinghk.com

W/ <https://www.kashinghk.com/>