

# Toilet Spare Roll Holder

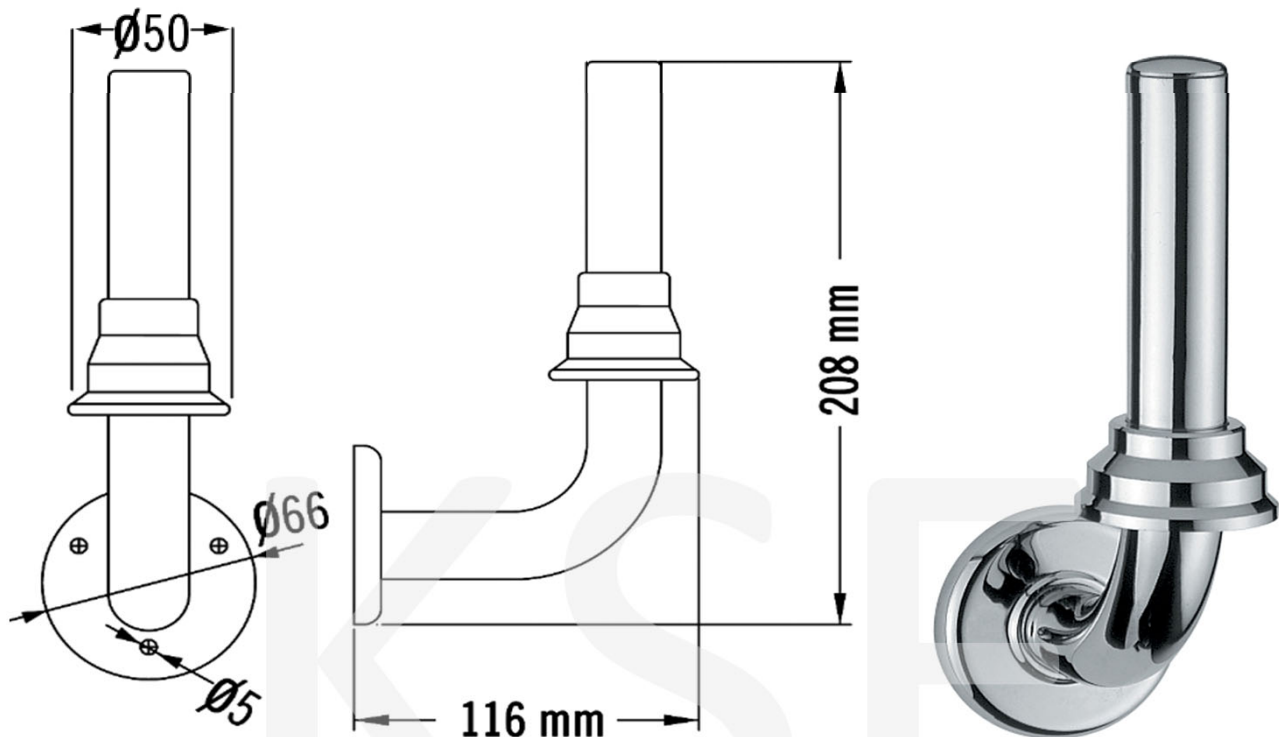
## SANITARY WARE SPECIFICATION SHEET

Model: AI0968C

Descriptions: Mediclinics (Spain) spare toilet roll holder surface mounted AISI 304 stainless steel, 340mm length, bright finish

Dimensions: Ø50 x W116 x H208 mm  
Manufacturer: Mediclinics, S.A. (Spain)

Material: 304 stainless steel  
Finish: Bright finish



### Technical Specifications

General dimensions	Ø50 x 116 x 208 mm
Spindle thickness	1.2 mm
Spindle diameter	Ø 25 mm
Flange diameter	Ø 66 mm

\* All information of the above is for the reference only. No prior notice is made if any changes.



**Ka Shing Enterprise (H.K.) Ltd.**

ROOM 1706 NEW TERRITORIES TSUEN WAN HO LIK CENTRE, 66A SHA TSUI ROAD  
Tel: 26280661 Fax: 24902700  
Email: project@kashingehk.com  
Website: www.kashingehk.com

Ivan / Horace 26280661

E/ project@kashingehk.com

W/ <https://www.kashingehk.com/>