

Toilet Spare Roll Holder

SANITARY WARE SPECIFICATION SHEET

Model: AI0968C

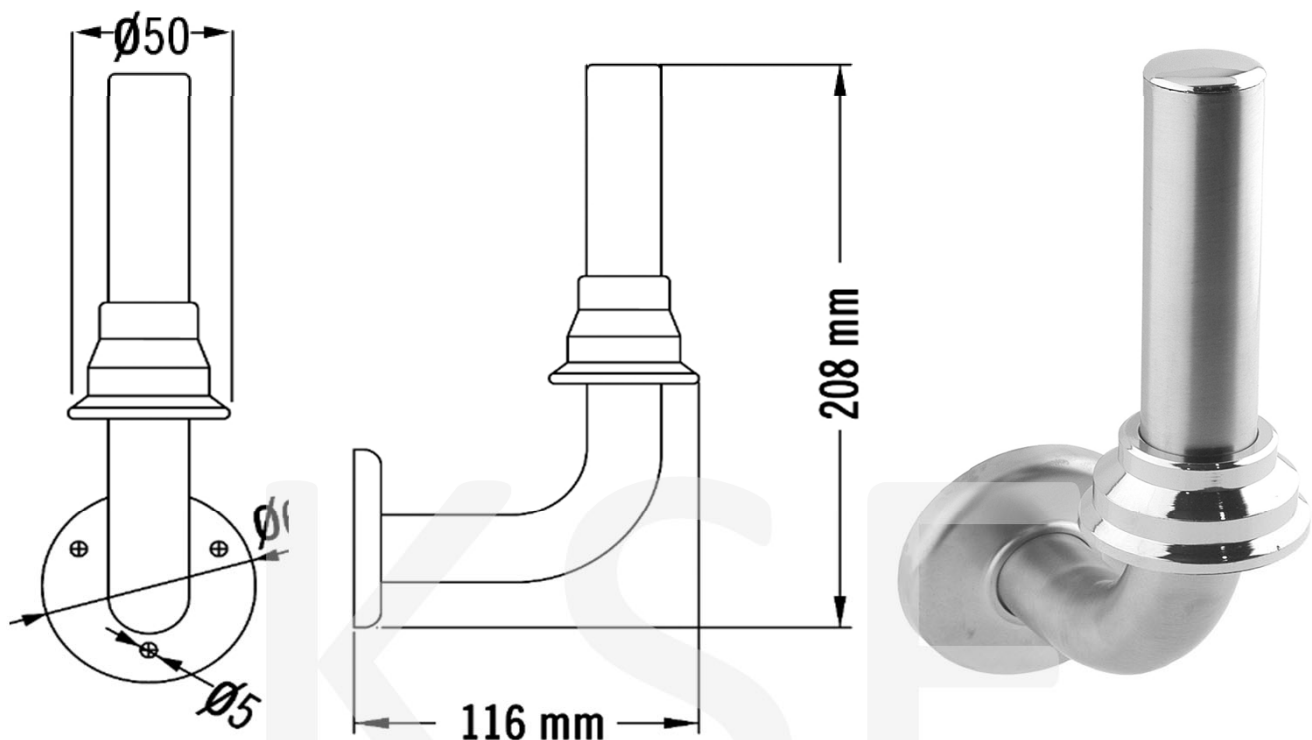
Descriptions: Mediclinics (Spain) spare toilet roll holder surface mounted AISI 304 stainless steel, 340mm length, satin finish

Dimensions: Ø50 x W116 x H208 mm

Material : 304 stainless steel

Manufacturer : Mediclinics, S.A. (Spain)

Finish : Satin finish



Technical Specifications

General dimensions	Ø50 x 116 x 208 mm
Spindle thickness	1.2 mm
Spindle diameter	Ø 25 mm
Flange diameter	Ø 66 mm

* All information of the above is for the reference only. No prior notice is made if any changes.



Ka Shing Enterprise (H.K.) Ltd.

ROOM 1706 NEW TERRITORIES TSUEN WAN HO LIK CENTRE, 66A SHA TSUI ROAD
Tel:26280661 Fax: 24902700
Email: project@kashingehk.com
Website: www.kashingehk.com

Ivan / Horace 26280661

E/ project@kashingehk.com

W/ <https://www.kashingehk.com/>