

SANITARY WARE SPECIFICATION SHEET

Model: AI0090C

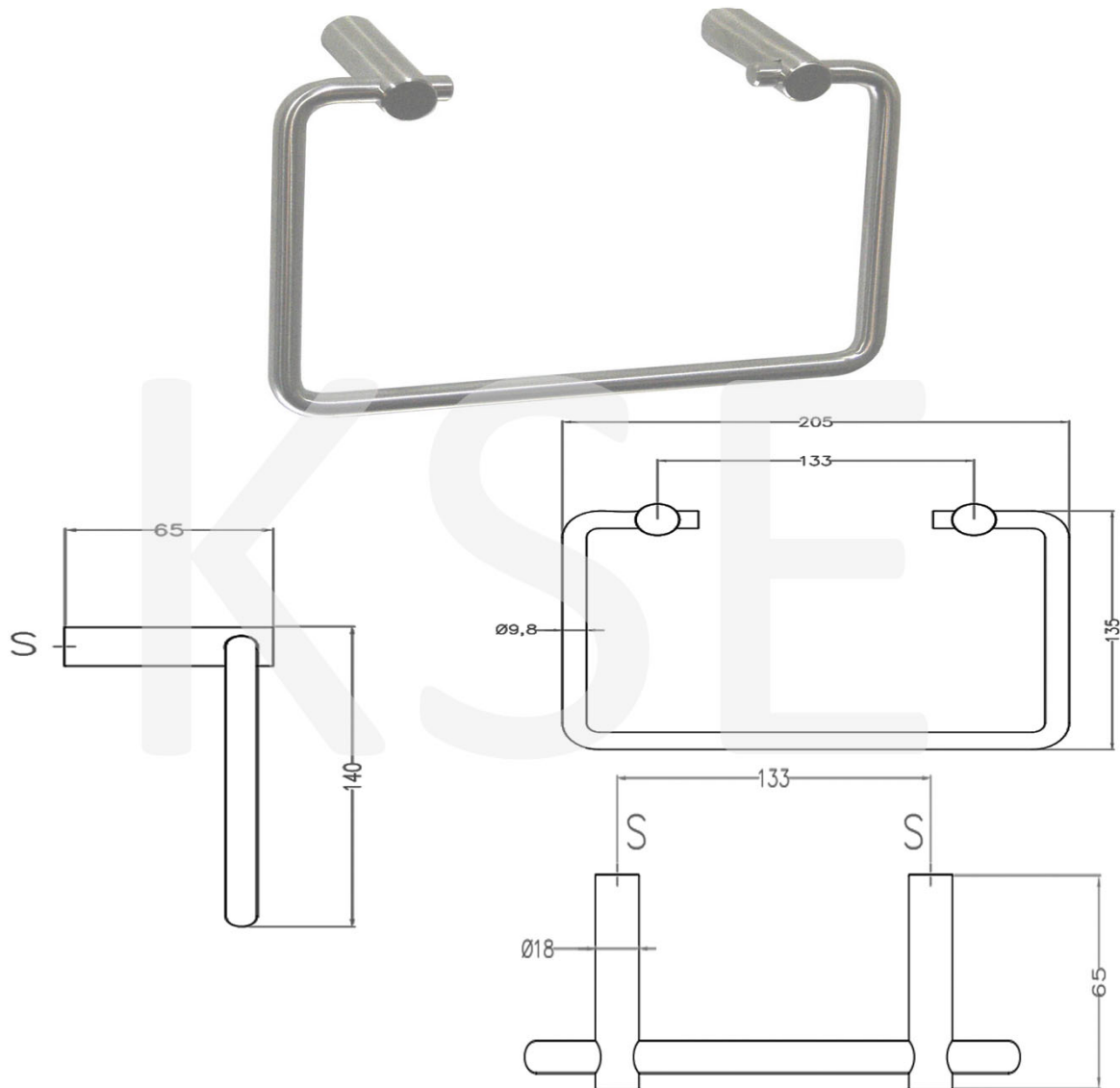
Descriptions: Mediclinics (Spain) bathroom square towel ring made of AISI 304 stainless steel satin finish

Dimensions: L205 x H135 x W65 mm

Material : 304 stainless steel

Manufacturer : Mediclinics, S.A. (Spain)

Finish : Satin finish



* All information of the above is for the reference only. No prior notice is made if any changes.



Ka Shing Enterprise (H.K.) Ltd.

ROOM 1706 NEW TERRITORIES TSUEN WAN HO LIK CENTRE, 66A SHA TSUI ROAD
Tel: 26280661 Fax: 24902700
Email: project@kashingehk.com
Website: www.kashingehk.com

Ivan / Horace 26280661

E/ project@kashingehk.com

W/ <https://www.kashingehk.com/>