

SANITARY WARE SPECIFICATION SHEET

Model: SC0040

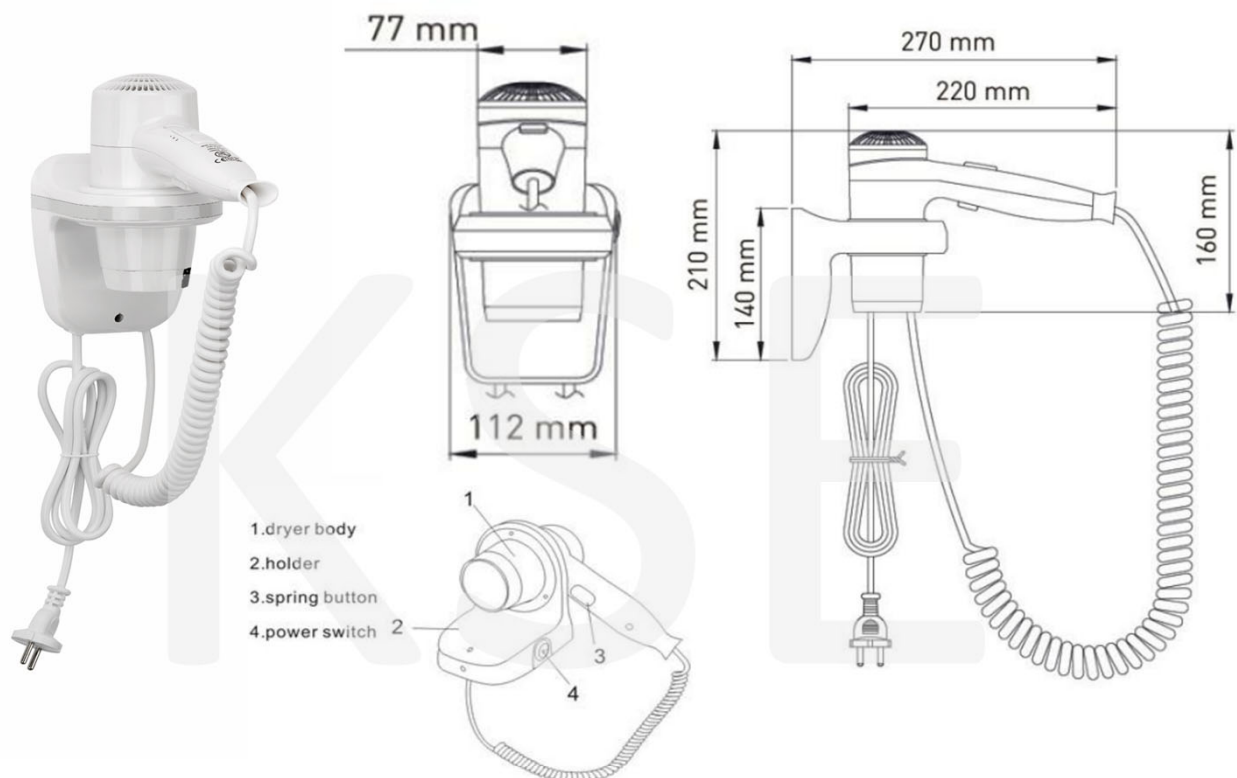
Descriptions: Mediclinics (Spain) plastic ABS push-button hair dryer gun model with white finish

Dimensions: L220 x W77 x H160 mm

Material : Plastic ABS

Manufacturer : Mediclinics, S.A. (Spain)

Finish : White Finish



Technical Specifications

Voltage	220- 240 V
Frequency	50/60 Hz
Electrical Isolation	Class II
Total power	1,800 W
Consumption	7 A
Rpm	18,000

Dimensions	160 x220 x 77 mm
Weight	0,8 Kg
Effective airflow	80 m3/h (1,330 L/min)
Air velocity	60 Km/h
Air temperature (10 cm distance/21°C)	63°C
Sound pressure (at 2m)	68 dBA
Protection rating	IP20

* All information of the above is for the reference only. No prior notice is made if any changes.



Ka Shing Enterprise (H.K.) Ltd.

ROOM 1706 NEW TERRITORIES TSUEN WAN HO LIK CENTRE, 66A SHA TSUI ROAD
 Tel:26280661 Fax: 24902700
 Email: project@kashingehk.com
 Website: www.kashingehk.com

Ivan / Horace 26280661

E/ project@kashingehk.com

W/ <https://www.kashingehk.com/>