

Soap dispenser

SANITARY WARE SPECIFICATION SHEET

Model: DJ0112C

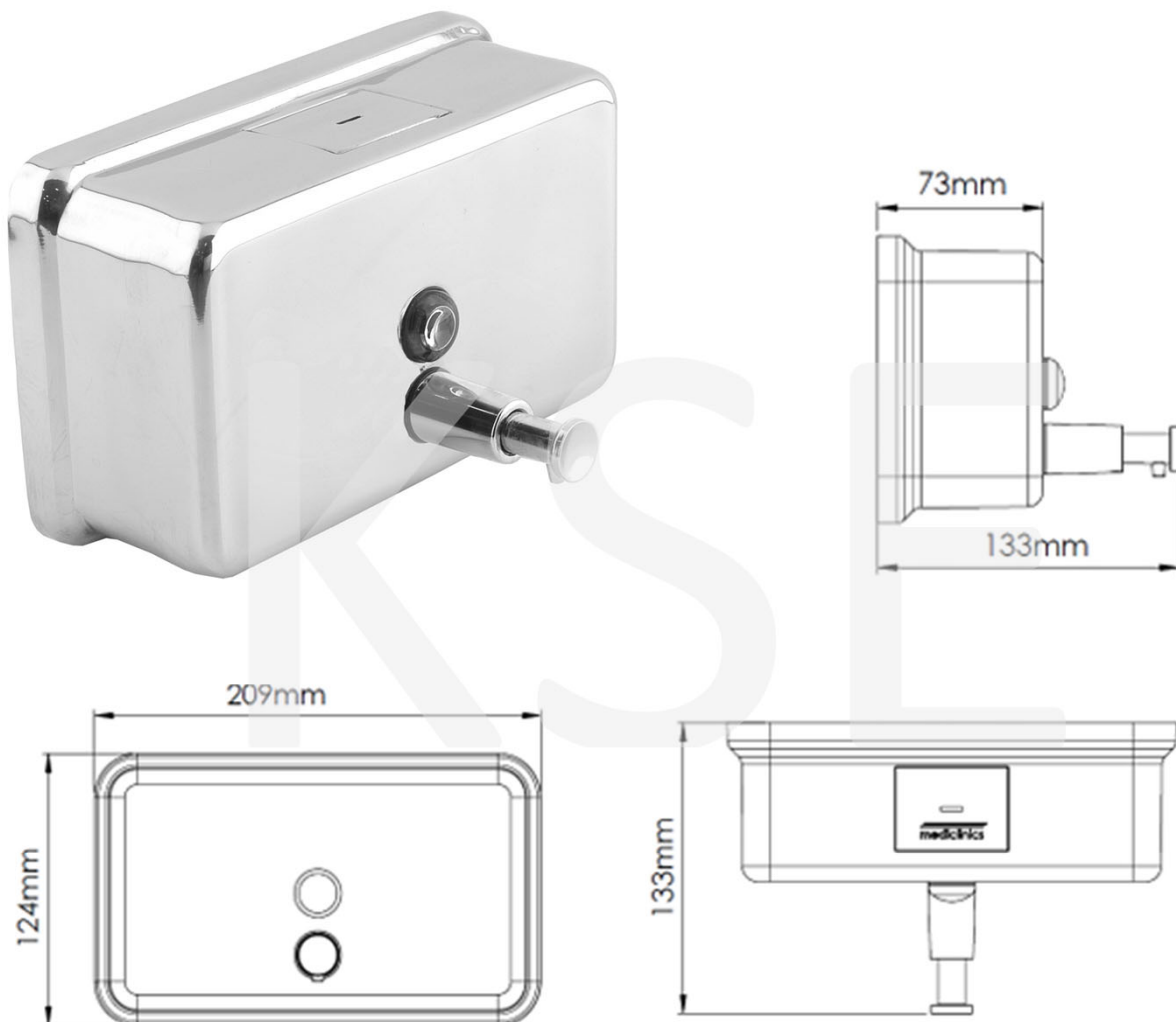
Descriptions: Mediclinics (Spain) stainless steel AISI 304 wall-mounted push-button liquid soap dispenser in bright finish 1.1 L capacity

Dimensions: L208 x W130 x H121 mm

Material : Stainless Steel

Manufacturer: Mediclinics, S.A. (Spain)

Finish : Bright Finish



* All information of the above is for the reference only. No prior notice is made if any changes.



Ka Shing Enterprise (H.K.) Ltd.

ROOM 1706 NEW TERRITORIES TSUEN WAN HO LIK CENTRE, 66A SHA TSUI ROAD
Tel:26280661 Fax: 24902700
Email: project@kashingehk.com
Website: www.kashingehk.com

Ivan / Horace 26280661

E/ project@kashingehk.com

W/ <https://www.kashingehk.com/>



DJ0112C
Bright finish



DJ0112CS
Satin finish

General Description

- Liquid soap dispenser of 1.1 L capacity, manufactured in stainless steel AISI 304, 1 mm thick, to be installed directly on the wall and hand-operated by means of a push-button.
 - Robust and vandal-resistant.
 - With an inner tank, made of polyethylene, that prevents oxidation.
 - Suitable for high traffic facilities and for public use.
 - It is recommended to use liquid soap or hand sanitizing gel with the following characteristics:
 - Maximum alcohol content of 80%
 - Density between 0.9 and 1.35 kg/dm³
 - Viscosity between 500 and 2,500 cps.
- It does not support soaps that contain methanol, chlorine or solid or abrasive particles.**
- It is mounted on the wall by means of three stainless steel screws (provided) with their corresponding plastic plugs (also provided).

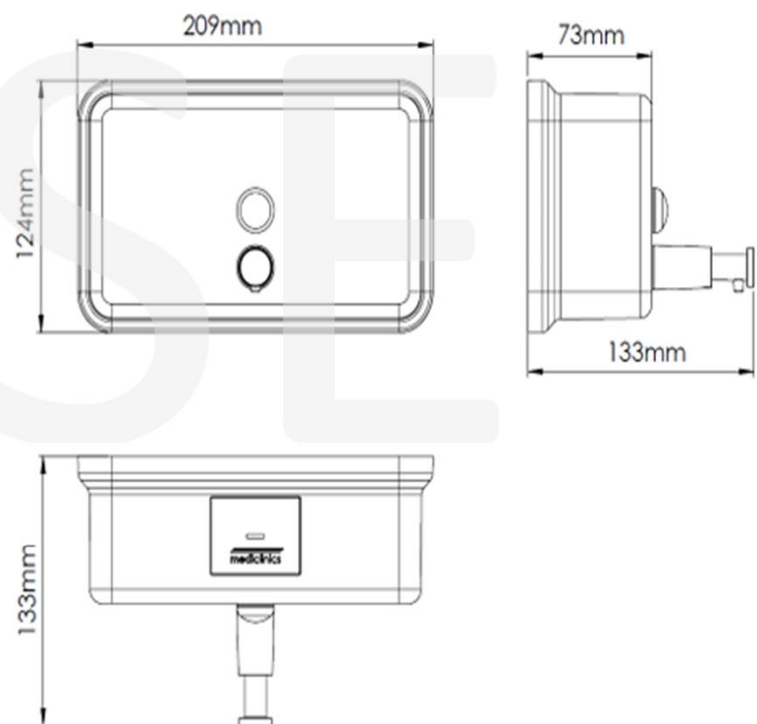
Components & materials

- **DJ0112C:** stainless steel AISI 304, bright finish.
- **DJ0112CS:** stainless steel AISI 304, satin finish.
- **WALL PLATE:** concealed and vandal-resistant, made of stainless steel AISI 304. It is mounted on the wall by means of three stainless steel screws (provided) with their corresponding Ø 5mm plastic plugs (also provided).
- **HINGED COVER:** for operator convenience and speed of service. Opening on top with special key provided that allows soap refill.
- **LEVEL DISPLAY:** made of polycarbonate and placed in the front part. It indicates the level of soap available inside the soap dispenser constantly.
- **INNER PLASTIC TANK:** made of polyethylene. It prevents oxidation.
- **PUSH-BUTTON:** made of chromed brass.
- **PUSH-IN VALVE:** made of chromed ABS with interior gaskets, to ensure tightness.

Technical Specifications

Dimensions	124 x 133 x 209 mm
Capacity	1,100 ml
Body thickness	1 mm
Operable force	23.5 N
Net weight	0.7 Kg
Quantity dispensed per pump	1.1 ml

Dimensions



Dimensions: ±4%



Ka Shing Enterprise (H.K.) Ltd.

ROOM 1706 NEW TERRITORIES TSUEN WAN HO LIK CENTRE, 66A SHA TSUI ROAD
Tel:26280661 Fax: 24902700
Email: project@kashingehk.com
Website: www.kashingehk.com

Ivan / Horace 26280661

E/ project@kashingehk.com

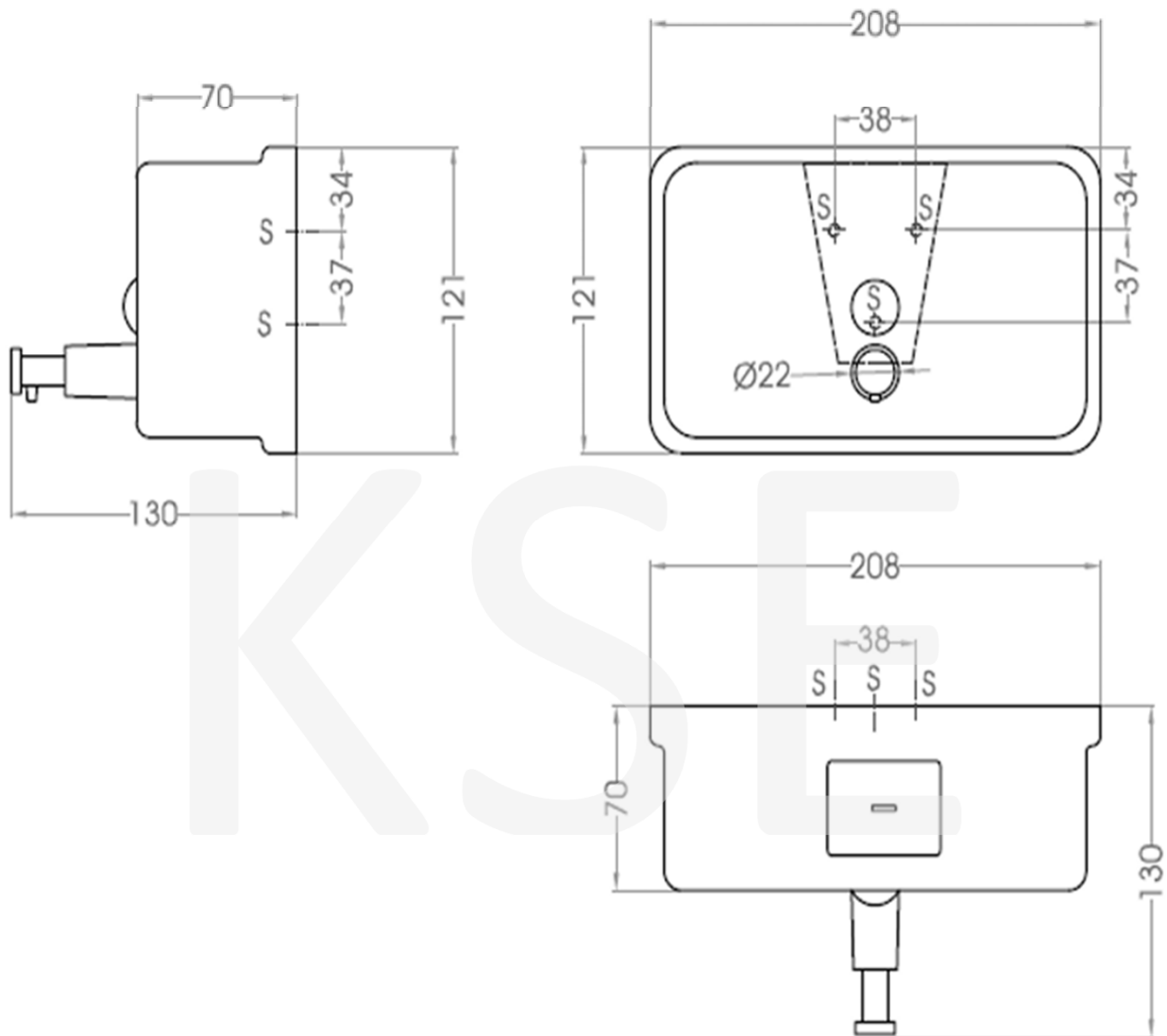
W/ <https://www.kashingehk.com/>

OPERATION

Place one hand just under the soap dispenser valve and press the center push-button until the end of the soap dosage.

MOUNTING TEMPLATE

Fix the soap dispenser to 10-15 cm from shelf, through the holes of the wall and floor plates, using the stainless steel screws supplied and taking into account the distances of the points indicated by an "S" in the next figure:



Ka Shing Enterprise (H.K.) Ltd.

ROOM 1706 NEW TERRITORIES TSUEN WAN HO LIK CENTRE, 66A SHA TSUI ROAD
Tel: 26280661 Fax: 24902700
Email: project@kashinghk.com
Website: www.kashinghk.com

Ivan / Horace 26280661

E/ project@kashinghk.com

W/ <https://www.kashinghk.com/>