

Soap dispenser

SANITARY WARE SPECIFICATION SHEET

Model: DJ0115C

Descriptions: Mediclinics (Spain) stainless steel AISI 304 wall-mounted push-button liquid soap dispenser in bright finish 1.3 L capacity

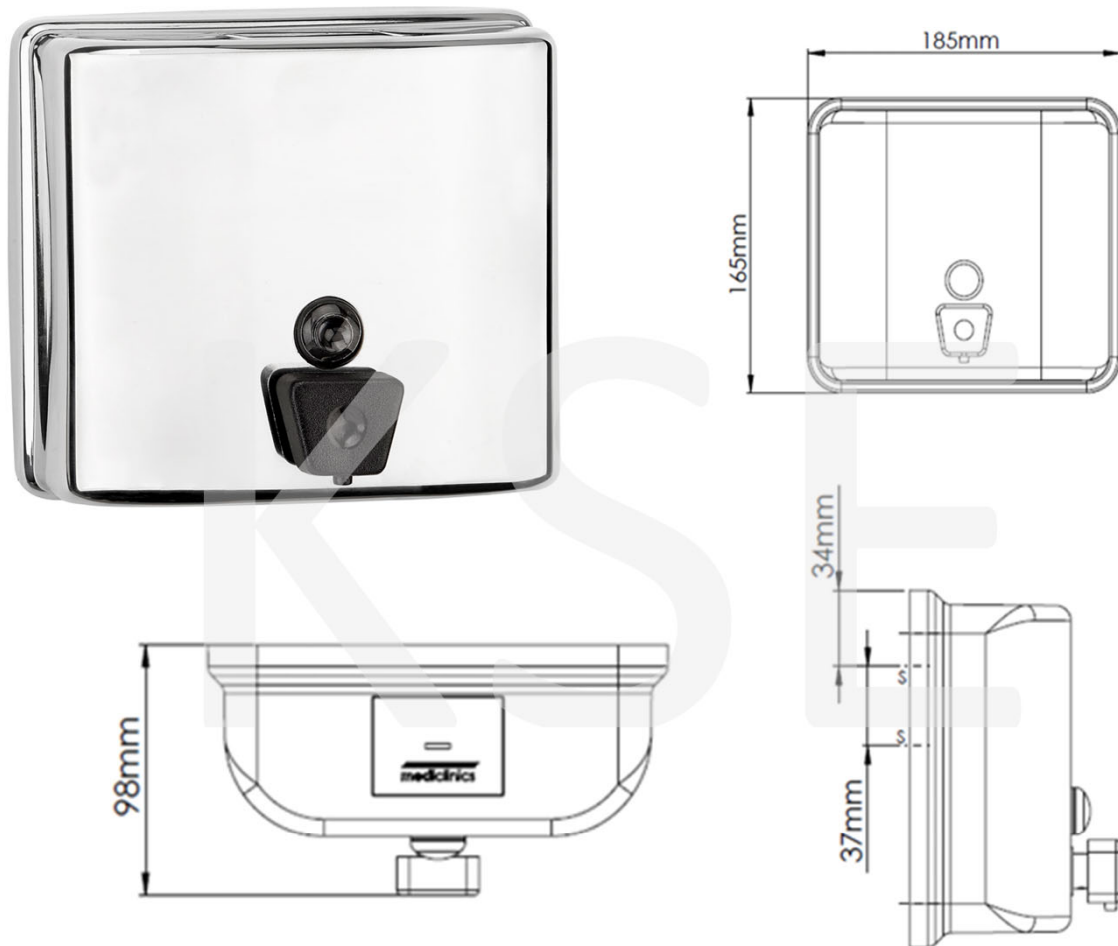
Dimensions: L185 x W98 x H165 mm

Material : Stainless Steel

Manufacturer: Mediclinics, S.A. (Spain)

Finish : Bright Finish

Dimensions



* All information of the above is for the reference only. No prior notice is made if any changes.



Ka Shing Enterprise (H.K.) Ltd.

ROOM 1706 NEW TERRITORIES TSUEN WAN HO LIK CENTRE, 66A SHA TSUI ROAD
Tel:26280661 Fax: 24902700
Email: project@kashingehk.com
Website: www.kashingehk.com

Ivan / Horace 26280661

E/ project@kashingehk.com

W/ <https://www.kashingehk.com/>



DJ0115C
Bright finish



DJ0115CS
Satin finish

General Description

- Push-button wall-mounted liquid soap dispenser of 1.3 L capacity, manufactured in stainless steel AISI 304, 1.0 mm thick.
- Available in two finishes (bright and satin) these soap dispenser models have a functional, robust and trendy design that matches the new range of Mediclinics bathroom accessories. This allows this soap dispenser to blend into any space perfectly.
- Suitable for high traffic facilities and for public use.
- Dispenses liquid soap or hand sanitizing gels.
- It is recommended to use liquid soap or hand sanitizing gel with the following characteristics:
 - Maximum alcohol content of 80%
 - Density between 0.9 and 1.35 kg/dm³
 - Viscosity between 500 and 2,500 cps.

It does not support soaps that contain methanol, chlorine or solid or abrasive particles.

Components & materials

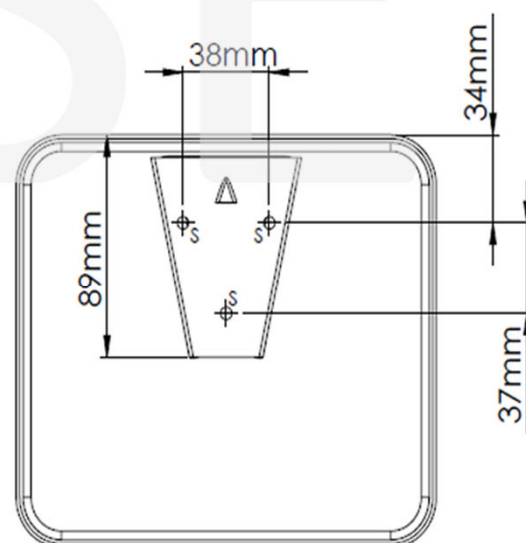
- **DJ0115C:** Stainless steel AISI 304, bright finish.
- **DJ0115CS:** Stainless steel AISI 304, satin finish.
- **BODY AND BACK PLATE:** made of stainless steel, fully welded to avoid deformation and soap dripping.
- **INNER TANK:** made of polyethylene to prevent oxidation.
- **LEVEL DISPLAY:** in the front part that constantly indicates the level of soap available inside the soap dispenser.
- **PUSH-BUTTON:** made of black ABS thermoplastic.
- **REFILL WINDOW:** on top. It is open with provided key that allows soap refill.

Technical Specifications

Dimensions	185x165x98 mm
Body thickness	1 mm
Net weight	0.70 Kg
Quantity dispensed per pump	0.7 ml
Capacity	1.3 ml

MOUNTING TEMPLATE

Fix the soap dispenser 10-15 cm from countertop, through the wall bracket holes, using the stainless steel screws supplied and taking into account the distances of the points indicated by an "S" in the next figure:



Ka Shing Enterprise (H.K.) Ltd.

ROOM 1706 NEW TERRITORIES TSUEN WAN HO LIK CENTRE, 66A SHA TSUI ROAD
Tel:26280661 Fax: 24902700
Email: project@kashingehk.com
Website: www.kashingehk.com

Ivan / Horace 26280661

E/ project@kashingehk.com

W/ <https://www.kashingehk.com/>