

SANITARY WARE SPECIFICATION SHEET

Model: DJT118

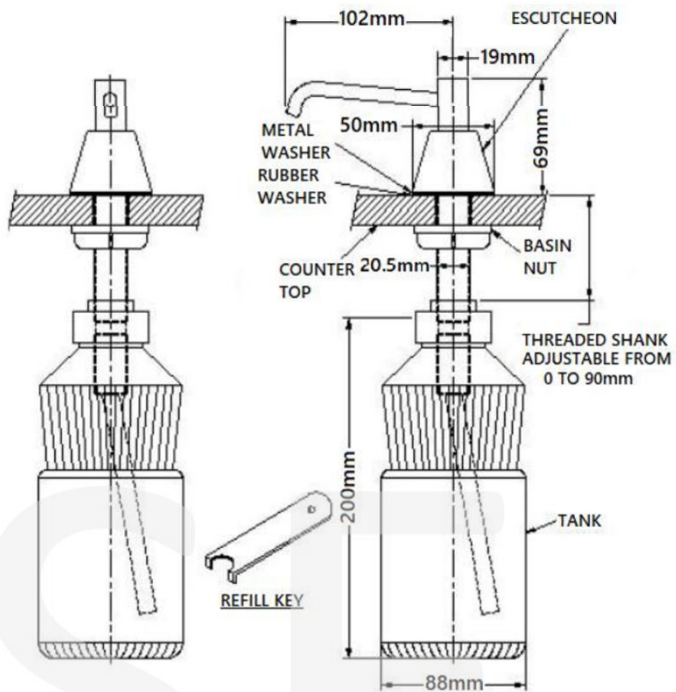
Descriptions: Mediclinics (Spain) soap dispenser with chrome-plated brass in bright finish 950ml capacity

Dimensions: Refer to drawing

Manufacturer: Mediclinics, S.A. (Spain)

Material : Chrome-Plated Brass

Finish : Bright Finish



Components and materials

- **DISPENSER STEM & 102 MM SPOUT:** chrome-plated brass, bright finish, with rubber "duck bill" check valves and an O-ring seal. Vandal-resistant spout shall rotate 360° without damage to unit. Valve operation shall comply with ADA Accessibility (no more than 22.2 Newtons of pressure to actuate without grasping or twisting by operator).
- **TANK:** shall be translucent, shatter-resistant polyethylene, refillable from the top
- **THREADED SHANK:** shall be gray thermoplastic ABS, shatter-resistant.
- **ESCUTCHEON:** made of chrome-plated brass, bright finish.
- **VALVE BODY, INTERNAL PARTS, BASIN NUT AND TANK ADAPTER:** modeled plastic.
- **SPRING, ESCUTCHEON WASHER, STEM RETAINER COLLAR AND SCREW:** made of stainless steel.

Technical Specifications

Weight (empty)	0,425 Kg
Pressure pulsation	20,0 N
Capacity	0,95 L
Quantity dispensed per pump	1 ml
Escutcheon	Ø50 mm
Countertop hole	Ø25 mm
Tank height	216 mm

* All information of the above is for the reference only. No prior notice is made if any changes.



Ka Shing Enterprise (H.K.) Ltd.

ROOM 1706 NEW TERRITORIES TSUEN WAN HO LIK CENTRE, 66A SHA TSUI ROAD
Tel:26280661 Fax: 24902700
Email: project@kashingehk.com
Website: www.kashingehk.com

Ivan / Horace 26280661

E/ project@kashingehk.com

W/ <https://www.kashingehk.com/>